

Connector TE Zinc Coated Steel



INDEX

[Leaflet](#)
[Catalogue Information](#)
[Technical Drawings](#)

WEB LINKS

[Connector TE – Zinc Coated Steel Information Page](#)
[Ask a question / Send us an enquiry](#)
[Information about B&R](#)
[Local Sales Team Phone Numbers](#)

Connector TE – Zinc Coated Steel



Features

- Protection rating – IP66
- Approvals
CE marked
Lloyds
- Fully welded construction
- Captive 316 stainless steel combo head screws, used to prevent loss when fastening
- Provision for mounting DIN rails or a mounting pan, increasing the application flexibility
- Flat face gutter
- Easy installation
- Foamed in place polyurethane gasket



OVERVIEW

The ConnectorTE is a range of enclosures suitable for many applications where a smaller, robust enclosure is required. It has a flexible system for mounting electrical equipment which can be done via a mounting pan or DIN rail and both have been ergonomically designed for easy installation. The renowned flat face gutter ensures a reliable and long-lasting seal no matter what the application.

APPLICATION

Typical applications include housing terminations, pushbuttons or switchgear in harsh environments where a robust enclosure is required.

MATERIALS

- Body – 316 stainless steel
- Body thickness – 1.2 / 1.5mm
- Gasket – FIP polyurethane

INCLUSIONS

- Earth strap kit



Connector TE – Zinc Coated Steel

SELECTION GUIDE

Catalogue No.	Dimensions (mm)			Usable Depth		Weight (kg)
	Height	Width	Depth	With DIN Rail	With Mounting Pan	
TE1108	150	150	80	47	60	1.2
TE3112	300	150	120	87	100	2.4
TE2212	200	200	120	87	100	2.2
TE3212	300	200	120	87	100	2.9
TE4212	400	200	120	87	100	3.6
TE6212	600	200	120	87	100	4.9

ACCESSORIES

Product	Description	Catalogue No.
Mounting pan – 2mm metal (white)	122 x 120mm	TEMP11
	172 x 170mm	TEMP22
	272 x 120mm	TEMP31
	272 x 170mm	TEMP32
	372 x 170mm	TEMP42
	572 x 170mm	TEMP62
DIN Rail – aluminium	140 x 35mm	TED1
	190 x 35mm	TED2
	290 x 35mm	TED3
	390 x 35mm	TED4
	590 x 35mm	TED6
Wall mounting brackets	316 stainless steel (4)	MEB/S



Din Rail



Mounting pan

National Sales

P 1300 Enclosures (1300 362 567)

F 1300 796 599

E sales@brencllosures.com.au

brencllosures.com.au

Queensland P +61 7 3714 1111

Nth Queensland P +61 7 4727 1900

New South Wales P +61 2 9915 9555

Newcastle P +61 2 4961 4433

Victoria P +61 3 9552 0552

South Australia P +61 8 8417 6222

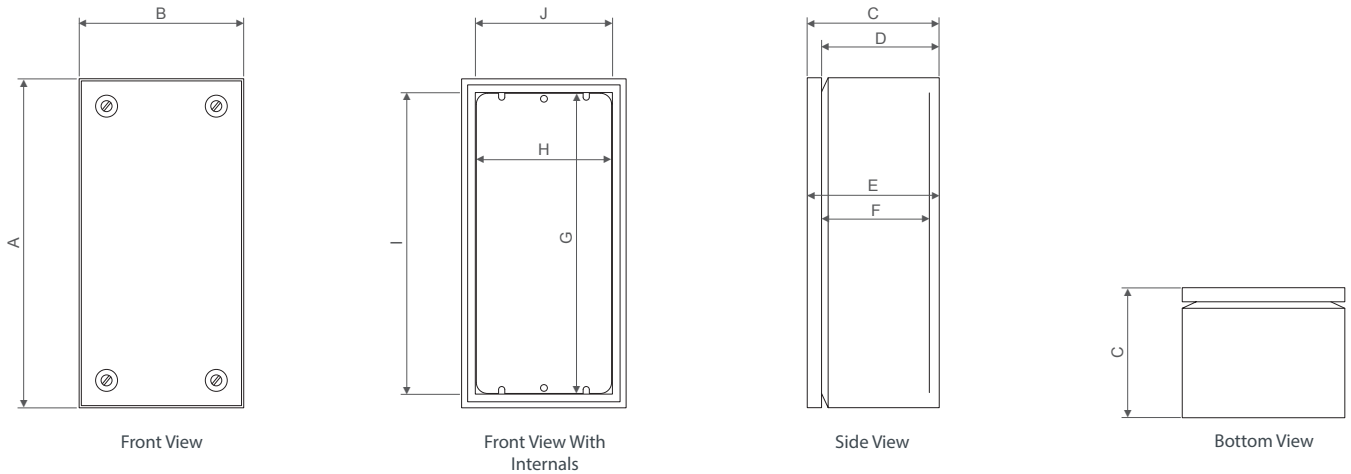
Western Australia P +61 8 6310 4777



Connector TE – Zinc Coated Steel



Technical Drawings



Catalogue No.		Dimensions (mm)										No. of Fixings
		External		Internal Depth		Mounting Pan		Opening Size				
Zinc coated steel	Stainless steel	A	B	C	D	E	F	G*	H*	I	J	
TE1108	TE1108/S	150	150	80	61	77	48	122	120	125	125	4
TE3112	TE3112/S	300	150	120	101	117	88	272	120	275	125	4
TE2212	TE2212/S	200	200	120	101	117	88	172	170	175	175	4
TE3212	TE3212/S	300	200	120	101	117	88	272	170	275	175	4
TE4212	TE4212/S	400	200	120	101	117	88	372	170	375	175	6
TE6212	TE6212/S	600	200	120	101	117	88	572	170	575	175	6

* Mounting pan is optional extra