

Motor Series - UA

General values

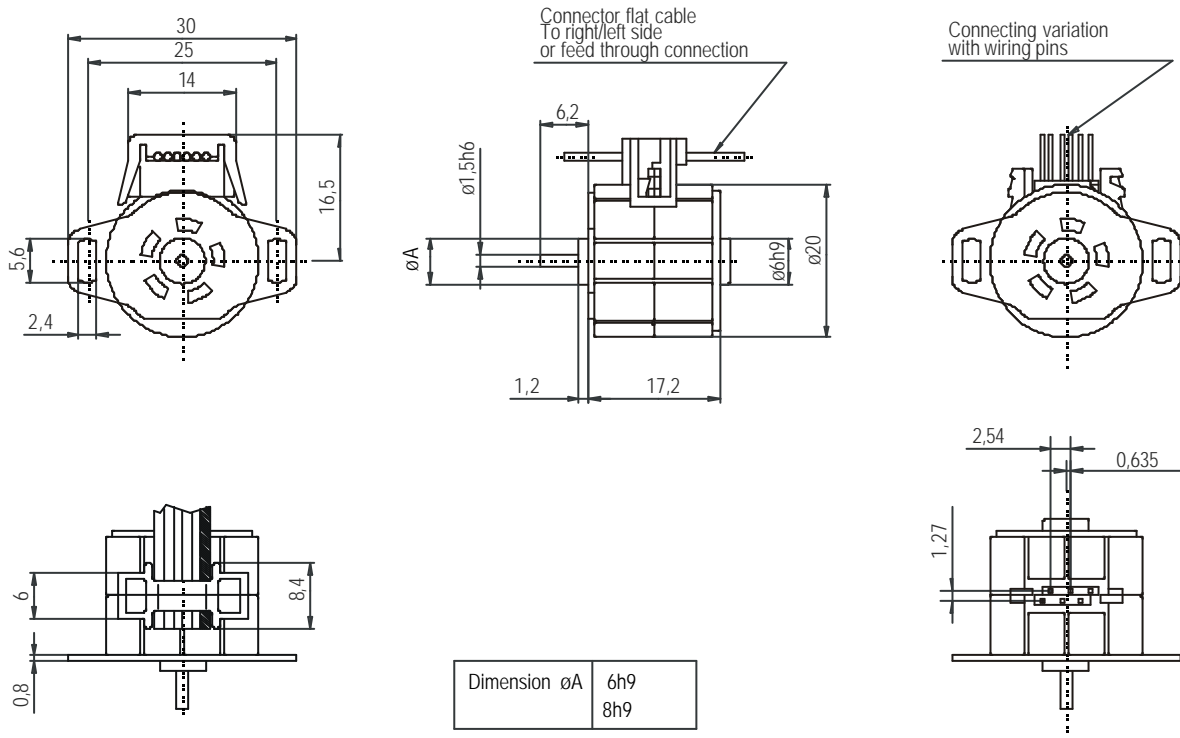
20

Standard data

Climatic class		"wide-spread" according IEC 721, part 2-1
Ambient temperature operation	°C	-40...+80
Ambient temperature storage	°C	-40...+100
Thermal resistance at f=0 R_{therm}	K/W	32
Thermal class		"B" according IEC 85
Approval		Standard
Life expectancy		3 years in continuous operation
Mounting		any position
Electrical connection		insulation displacement connection, pins, ribbon cable
Protection		IP 40 according DIN 40 050 / DIN EN 60034-5
Weight	g	25
Rotor stalling		motor can be stopped when voltage is applied, without being overheated
Rotor shaft		hardened steel, grinded, polished
Bearings		sintered bronze, self-lubricating
Surge voltage strenght		according EN 60 034-1 / EN 60-335-1

Drawing

Mounting with screw plate



Copyright SAIA-Burgess GmbH Dresden

SAIA - UAG 1/2

Stepper motor - 18°

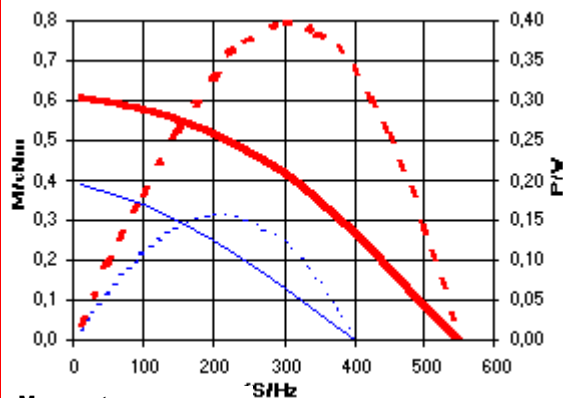
20

Technical data

Steps per revolution			20			
Winding type			bipolar (UAG 1)			
Rated voltage	U_N	V	6	12	24	
Resistance per winding	R_{20}	Ω	27	150	675	
Winding type			unipolar (UAG 2)			
Rated voltage	U_N	V	6	12	24	
Resistance per winding	R_{20}	Ω	35	170	700	
Maximum power consumption		W	0,4			
Winding temperature	T_{max}	°C	130			
Duty cycle		%	100			
Holding torque	M_H	cNm	0,7 (UAG 1)		0,5 (UAG 2)	
Detent torque	M_S	cNm	0,14			
Direction of rotation			reversible			
Rotor inertia	J_R	gcm ²	0,31			

UAG1 Start/Stop-Range (pull in)

(constant voltage)



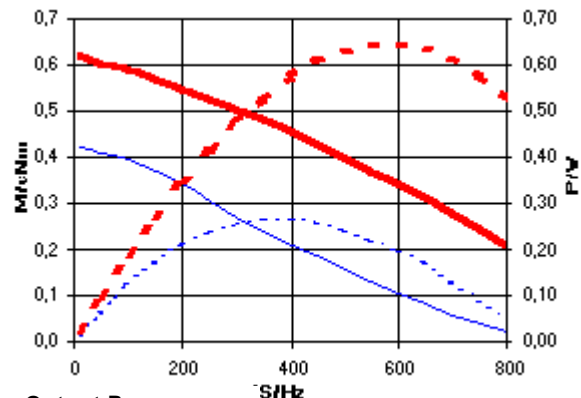
Moment

Duty cycle 100%

Duty cycle 30%

UAG1 Slew Range (pull out)

(constant voltage)



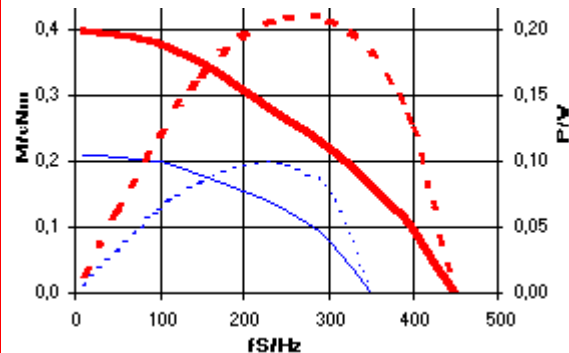
Output Power

Duty cycle 100%

Duty cycle 30%

UAG2 Start/Stop Range (pull in)

(constante voltage)



UAG2 Slew-Range (pull out)

(constant voltage)

