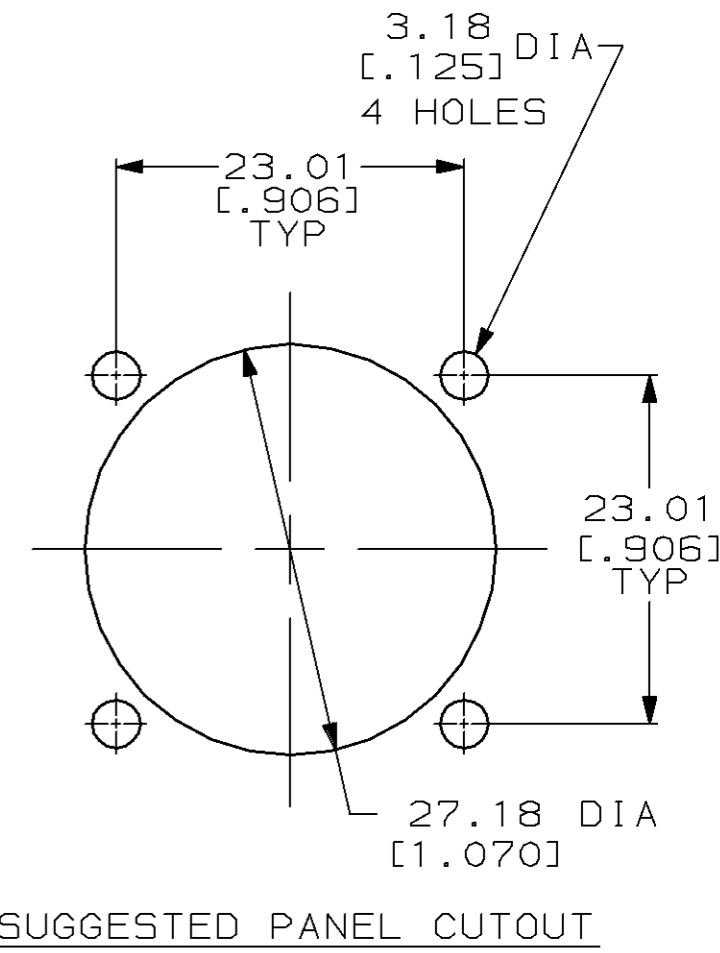
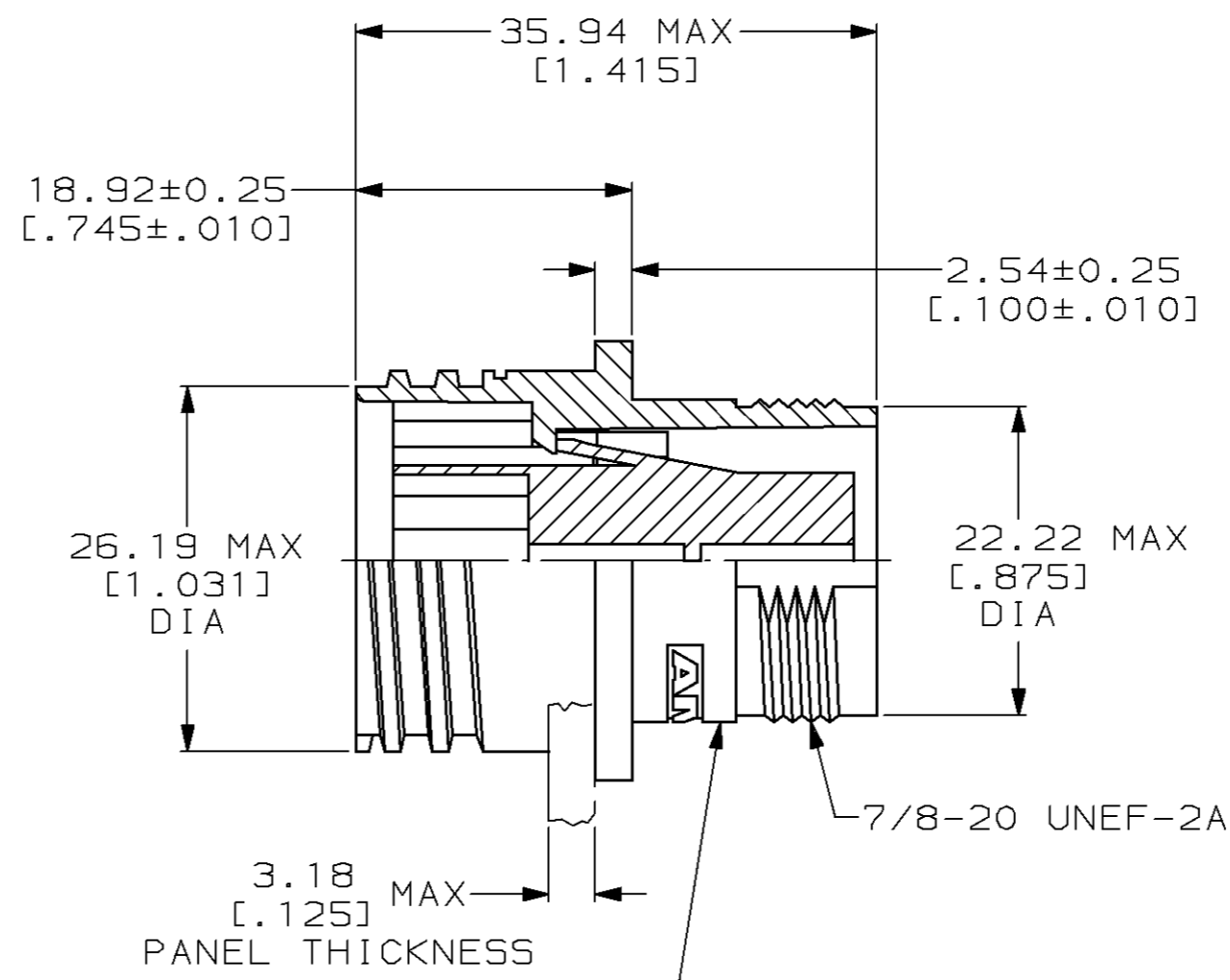
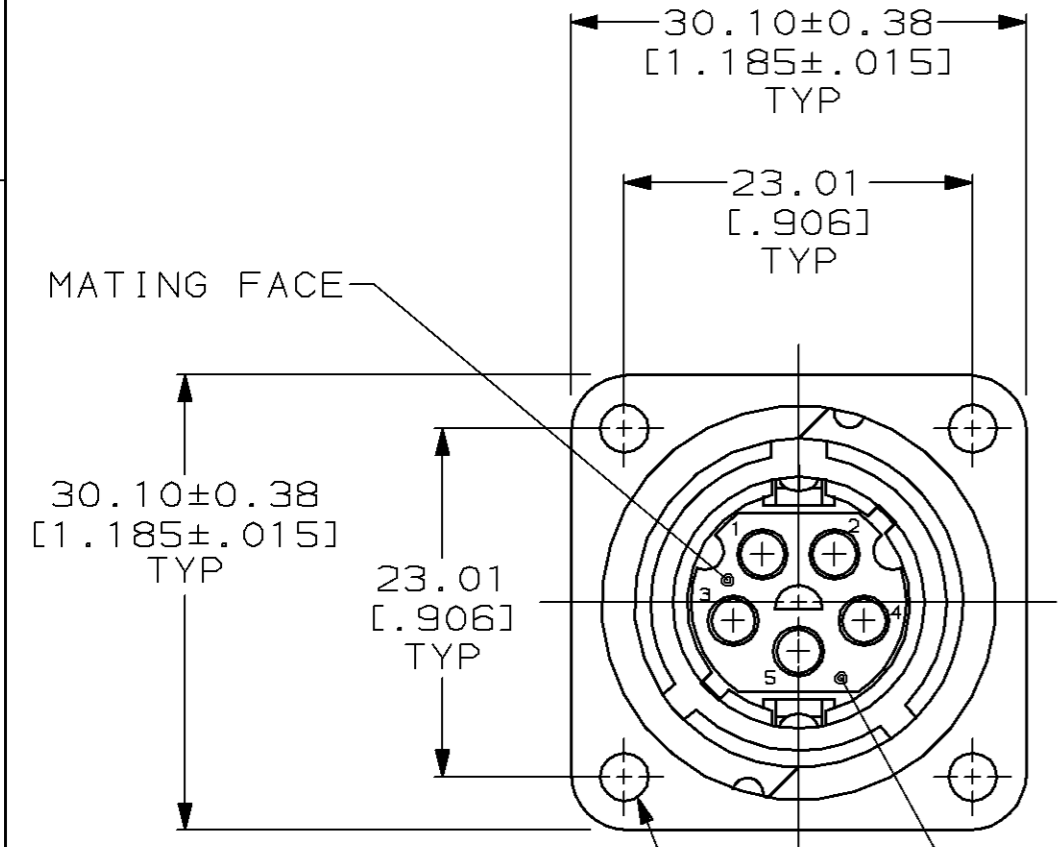


THIS DRAWING IS UNPUBLISHED. RELEASED FOR PUBLICATION, 19
 © COPYRIGHT 19 BY AMP INCORPORATED. ALL INTERNATIONAL RIGHTS RESERVED.

MOD	LOC	DIST	P	F	REVISIONS				
ZONE	LTR	DESCRIPTION	DATE	APPD					
4	BD	35					REDRAWN W/O CHANGE PER EC 0020-774-94	09/07/94	AF



SOCKET HOUSING MATERIAL: THERMOPLASTIC COLOR: BLACK

RECEPTACLE SHELL MATERIAL: ZINC PER QQ-Z-363 FINISH: NICKEL PER QQ-N-290 OVER COPPER PER MIL-C-14550

- THIS CONNECTOR ACCEPTS FIVE (5) SIZE 16 MULTIMATE PIN CONTACTS. MAXIMUM WIRE INSULATION DIA = 3.43 [.135].
- RECEPTACLE MATES WITH AMP PART NUMBER 208718-1.
- AMP PART NUMBER & DATE CODE TO BE LOCATED ON EDGE OF FLANGE.

THIS DRAWING IS A CONTROLLED DOCUMENT FOR AMP INCORPORATED. IT IS SUBJECT TO CHANGE AND THE CONTROLLING ENGINEERING ORGANIZATION SHOULD BE CONTACTED FOR THE LATEST REVISION.

DO NOT SCALE PRINT. UNLESS SPECIFIED DIMENSIONS IN mm [INCHES] TOLERANCES ON: 2 PLC DEC ± 0.13 [.005] 3 PLC DEC ± - ANGLES ± -		DR 09-07-94 D.HARDY	AMP Incorporated Harrisburg, PA 17105-3608
MATERIAL SEE CALLOUTS	CHK 09-09-94 R.STONE	APPD 09-30-94 A.FRANTUM	
FINISH SEE CALLOUTS	APPD 09-30-94 A.FRANTUM	PRODUCT SPEC -	NAME RECEPTACLE ASSEMBLY, 14-5, STANDARD SEX, CMC
		APPLICATION SPEC -	SIZE B
		WEIGHT -	CAGE CODE 00779
			DRAWING NO C-208719
			SCALE 2:1
			SHEET 1 OF 1

208719-1
PART NO

Metal-Shell Circular Plastic Connectors

Product Facts

- Economical combination of thermoplastic UL 94V-0 rated connector housings and metal shells
- Available in three series:
 - Series 1 -- Accepts Multimate contacts, shell sizes 14-5, 14-7, 22-16, 28-24, and 28-37 standard sex; 14-5, 14-7, 22-14, and 28-37 reverse sex
 - Series 2 -- Accepts 20 DF and 20 DM contacts, shell sizes 22-28 and 28-63 standard sex; 22-28 and 28-57 reverse sex
 - Series 3 -- Accepts Type XII power contacts, shell sizes 22-3 and 28-7 standard and reverse sex
- Compatible with MIL Spec metal housing type connectors
- Choice of application tooling to meet all production requirements

Description

AMP Metal-Shell Circular Plastic Connectors offer the reliability of higher priced all metal connectors at a fraction of the cost, and are offered in the more popular contact configurations. Connector housings are made of lightweight, sturdy, thermoplastic material that are UL 94V-0 rated, with zinc alloy, nickel plated shells for added strength and protection. These connectors are available in a variety of configurations to meet your signal, low current and high current requirements. Operating temperatures range from -55°C to + 125°C.

Signal and low current is provided by a choice of AMP Multimate contacts .062 [1.57] pin diameter and DF 20 and DM 20 contacts .040 [1.02] pin diameter. High current requirements are met by the AMP Type XII capable of carrying up to 35 amperes of current.

These quick connect/disconnect circular connectors feature polarized housings to prevent mismatching with other insert arrangements.

AMP Metal-Shell Circular Plastic Connectors are available in square flange receptacles and free-hanging plug connectors.

For additional economy, industry accepted AMP Type III+ pin and socket contacts are available on reels in strip form for high volume, low cost, automatic machine terminations. For low volume, prototype or maintenance and repair Type III+ contacts are also available in loose-piece form.

CPC and Metal-Shell CPC Connectors Introduction

Product Facts

- Lightweight, all-plastic and metal-shell connectors
- CPC connectors are UL 94V-0 rated and made of stabilized, heat resistant, self-extinguishing thermoplastic material
- Metal-shell CPC connector housings made of UL 94V-0 rated thermoplastic
- Operating temperature range: -55°C to 125°C
- Available in panel or chassis mount and free-hanging configurations
- Quick connect/disconnect capability with thread assist, positive detent coupling
- Built-in pin and socket protection
- Polarized for proper mating of connector halves
- Special connector configurations offer special solder and posted contacts, special receptacles with or without threaded inserts
- Full complement of optional accessories
- Recognized under the Component Program of the Underwriters Laboratories, Inc. for 250 VAC, rms or 250 VDC, Service*, File No. E28476
- Certified by the Canadian Standards Association, File No. LR 7189
- Select connectors are recognized for 600 volts service
- Four connector series for different interconnection requirements:
 - Series 1--Standard density, signal and low-current applications using durable Multimate contacts (.062 [1.57] pin diameter)
 - Series 2--High density applications using Size 20 DM and 20 DF contacts (.040 [1.02] pin diameter)
 - Series 3--Low density, power applications with Type XII contacts capable of carrying up to 35 amperes of current
 - Series 4--Combination of standard and power density application with Type III+ and Type XII contacts

Contact Selector Chart

Connector Type	20-DF	Type I	Type II	Type III+	Posted Type III+	Type XII	Sub-Mini Coax	POWERBAND
CPC Series 1			X	X	X		X	
CPC Series 2	X							
CPC Series 3						X		
CPC Series 4			X	X		X	X	
CPC Series 5								X
CPC Series 6		X	X	X				X
CPC 50				X				
CMC Series 1			X	X	X		X	
CMC Series 2	X							
CMC Series 3						X		
CMC Series 4			X	X		X	X	