

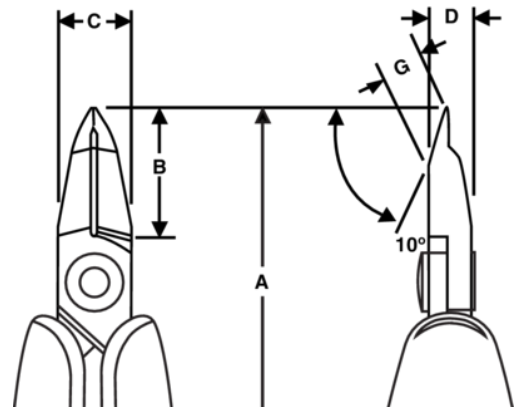


RX 8234
ERGO™ Precision Micro Tip Cutters
141 mm





PRODUCT DETAILS

- Precision micro tip cutters developed according to the scientific ERGO™ process
- ESD safe ERGO™ handles with two-component combination, thermoplastic surface for comfortable grip, on tough polypropylene core for rigidity
- Flush cut
- Cutting capacity: 0.05 mm to 0.4 mm Cu
- High-performance alloyed steel
- Phosphate finish
- Numerically controlled machine grinding guarantees edge angle accuracy and contact, increases the tool's reliability and consistency
- Precision induction-hardened edges 63-65 HRC
- Screw joint minimises friction and maximises alignment of cutting edges
- Bio spring limits the tension throughout the working cycle of the tool and can be adjusted to 3 different positions or removed
- Ideal rework and close fine pitch applications



PRODUCT ATTRIBUTES

Product	A	B	C	D	G		
RX8234	141.0 mm	14.2 mm	10.6 mm	7 mm	3.2 mm	Flush	62 g

Follow the Fish!

