



Approvals



General Information

Model	: MW 206
Name	: 1200mA Regulated Switching Power DC/DC Converter
Group	: Accessories
Type	: DC/DC Converter

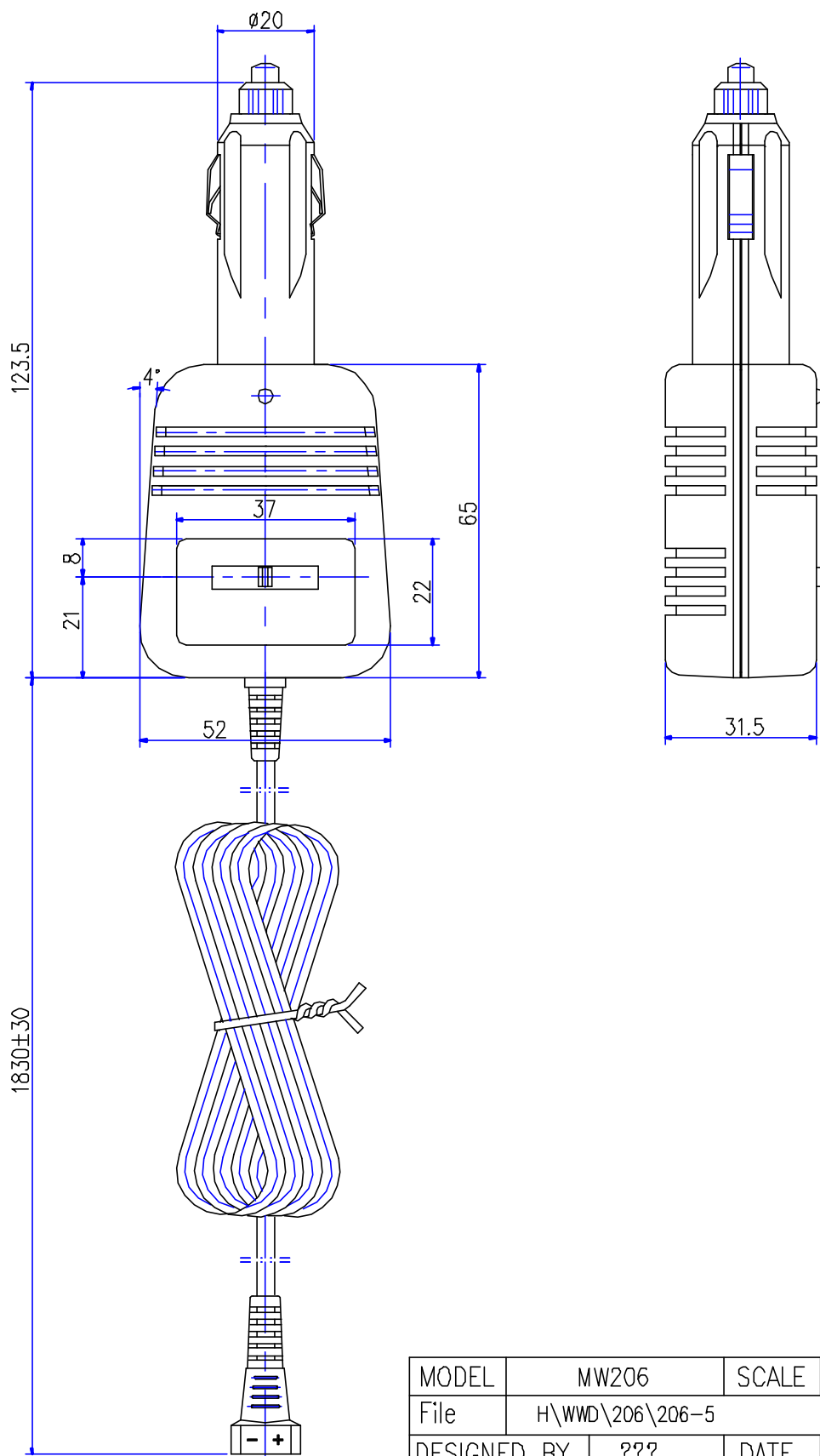
Technical Information

Input Voltage	: 12-24VDC
Output Voltage	: 1.5/3.0/4.5/6.0/7.5/9.0/12.0VDC Selectable
Output Current	: 1200mA
Output Power	: 14.4VA (max)
Output Plug	: 6 X C detachable plugs
Product Dimension	: 130x52x34mm
Remarks	:

Packing Information

Standard Packing	: Sealed Blister
Packing Size	:
Inner Carton Size	: 57x56x12cm
Pcs / Inner Carton	: 25
Gross weight of Inner Carton	: 5.3kg
Net weight of Inner Carton	: 4.3kg
Export Carton Size	: 60x59x28cm
Pcs / Export Carton	: 50
Gross weight of Export Carton	: 12.8kg
Net weight of Export Carton	: 8.6kg
Itemboxes / 20' container	: 14400
Itemboxes / 40' container	: 28800
CBM	: 0.0991

CASE & CORD DIMENSION



MODEL	MW206	SCALE	0.75:1
File	H\WWD\206\206-5		
DESIGNED BY	???	DATE	
DRAWN BY	W-WEIDONG	DATE	
CHEKED BY	曹旭	DATE	