



General characteristics

Description	Modular with transparent cover, 1 operating threshold		
Residual operation characteristic	Type A		
N° of operating threshold	1		
Control circuit			
Toroidal transformer	External		
Adjustments			
Tripping set-point ($I_{\Delta n}$)	(x1)	A	0.3 or 0.5
Tripping delay time	(tx1)	s	0.02 or 0.5
Resetting	Configurable automatic or manual by button on front		
Test Button	Yes		
Shunt circuit control	No		
Auxiliary supply			
Auxiliary rated supply voltage U_s	110... 125VAC/DC; 220... 240/380... 415VAC		
Operational limits	110... 125VAC/DC or 220...240VAC or 380...415VAC		
Output contacts	1		
Rated frequency	Hz	50...60	
Power consumption Max	VA	3	
Relay outputs			
Relay state	Normally de-energised		
Contact arrangement	1 changeover SPDT (trip)		
Rated contact capacity IEC I_{th}	5A - 250VAC		
Insulations			
Power frequency withstand voltage	kV	2.5kV for 60s	
Indications			
Auxiliary voltage available (ON)	Green LED		
Relay tripping (TRIP)	Red LED		
Connections			
Terminals type	Fixed		
Tightening torque for terminals			

		max	Nm	0.5
		max	lbin	4.5
Conductor section	AWG/Kcmil	min		24
		max		12
	IEC	min	mm ²	0.2
		max	mm ²	2.5

Operations

Mechanical life		cycles	5000000
Electrical life		cycles	300000

Ambient conditions

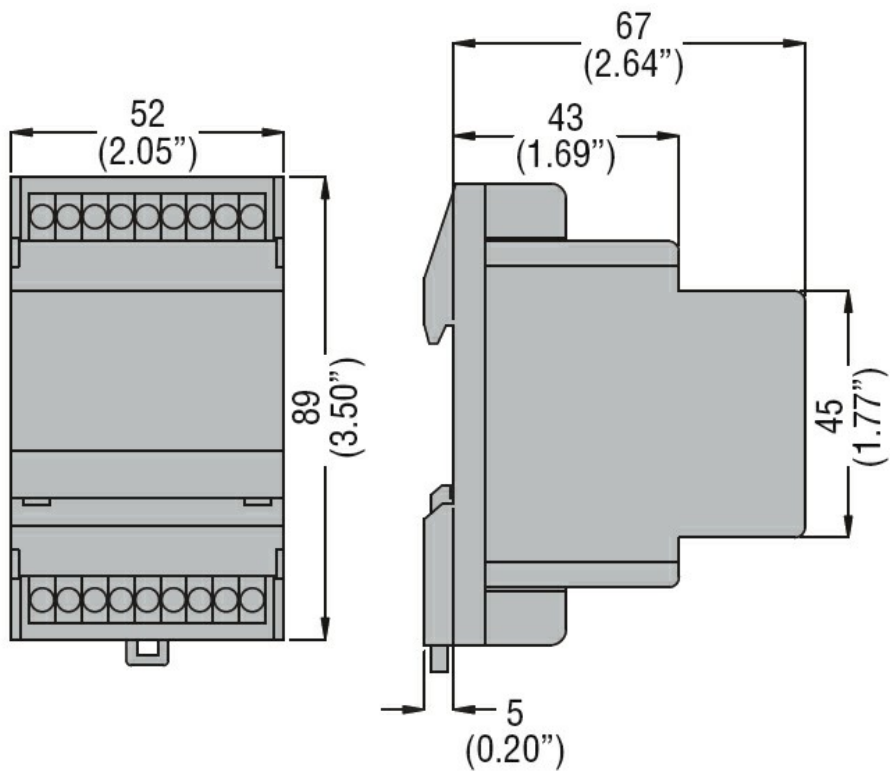
Temperature	Operating temperature	min	°C	-10
		max	°C	+60
	Storage temperature	min	°C	-20
		max	°C	+80

Relative humidity		%	≤90%
-------------------	--	---	------

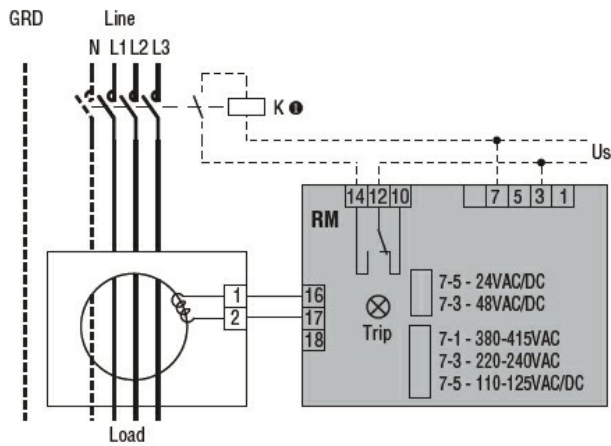
Housing

Material		Self-extinguishing polycarbonate
Mounting		35mm DIN rail
Degree of protection		IP20 terminals
Dimensions (W x H x D)	mm	52x89x72
Weight	g	175

Dimensions



Wiring diagrams



Certifications and compliance

Compliant with standards

IEC/EN 60947-2

Certificates

EAC

ETIM classification

ETIM 8.0

EC001445 -
Residual current
monitoring relay