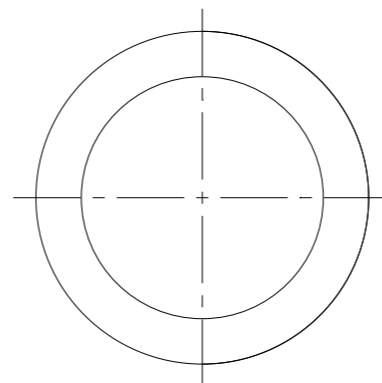
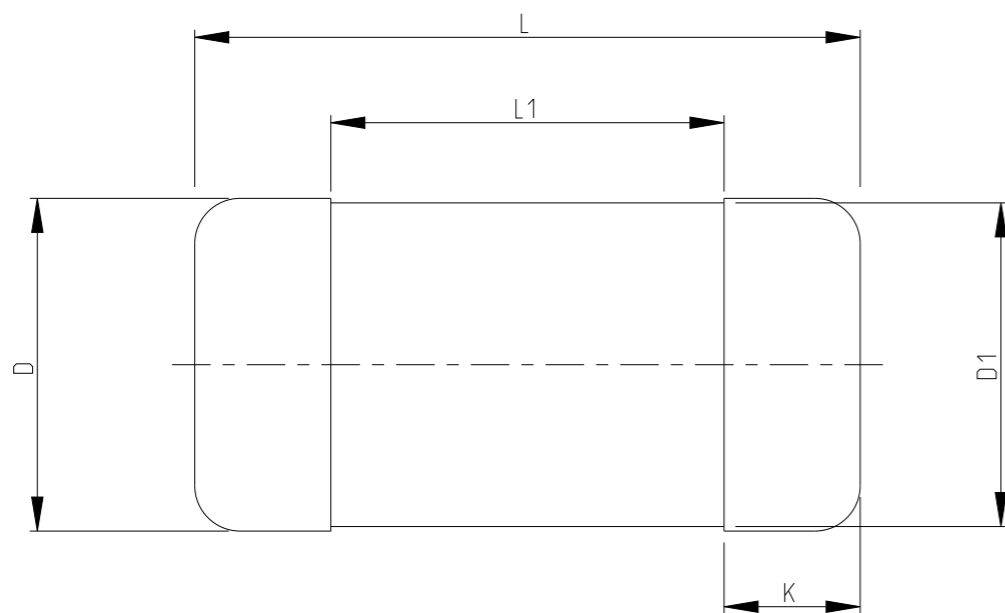
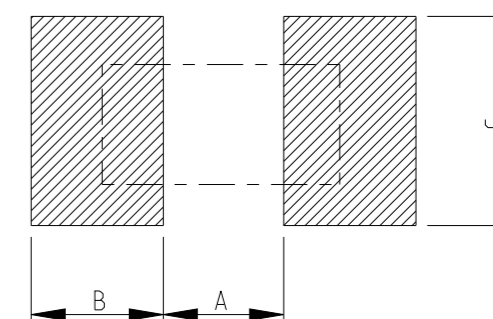


P	LTR	DESCRIPTION	DATE	DWN	APVD
	BA	INITIAL DRAWING RELEASE	22NOV2023	DM	AP



FOR FURTHER INFORMATION SEE DATA SHEET OF METAL FILM PRECISION MELF RESISTOR AEC-Q200 QUALIFIED TYPE SMA-Q SERIES

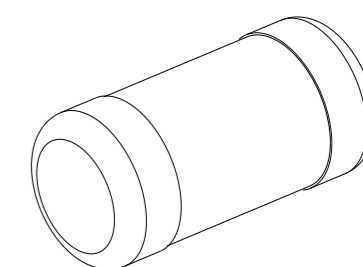
RECOMMENDED LAND PATTERN



TYPE	L (mm)	L1 min. (mm)	∅D (mm)	∅D1 (mm)	K (mm)	WEIGHT MG EA
SMA-Q 0102	2.2±0.1	1.1	1.1±0.1	D +0/-0.15	0.45±0.05	7.7

SIZE	A (mm)	B (mm)	C (mm)
SMA-Q 0102	1	0.8	1.5

RoHS Compliant



THIS DRAWING IS A CONTROLLED DOCUMENT.

DWN DHEERAJ M 22NOV2023

CHK TRACY G 22NOV2023

APVD ALLAN P 22NOV2023

PRODUCT SPEC -

APPLICATION SPEC -

WEIGHT -

CUSTOMER DRAWING

NAME METAL FILM PRECISION MELF RESISTORS  
AEC-Q200 QUALIFIED TYPE  
SMA-Q 0102 SERIES

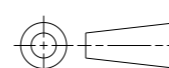
SIZE CAGE CODE DRAWING NO RESTRICTED TO

A3 00779 C=2176649 -

SCALE 40:1 SHEET 1 OF 3 REV BA

DIMENSIONS:

mm



TOLERANCES UNLESS OTHERWISE SPECIFIED:

0 PLC	±0.2
1 PLC	±0.1
2 PLC	±
3 PLC	±
4 PLC	±
ANGLES	±5°

MATERIAL

-

FINISH

-

REVISIONS

P	LTR	DESCRIPTION	DATE	DWN	APVD
	-	SEE SHEET 1	-	-	-

SCHEDULE

TCPN	CATALOGUE NUMBER	PART DESCRIPTION	PART STATUS
2176649-1	SMA-Q0102FTDL13K3	MELF SMA-Q 13K3 1% 50PPM 0102 0.3W	PRODUCTION
2176649-2	SMA-Q0102FTDL13K7	MELF SMA-Q 13K7 1% 50PPM 0102 0.3W	PRODUCTION
2176649-3	SMA-Q0102FTDL14K	MELF SMA-Q 14K 1% 50PPM 0102 0.3W	PRODUCTION
2176649-4	SMA-Q0102FTDL14K3	MELF SMA-Q 14K3 1% 50PPM 0102 0.3W	PRODUCTION
2176649-5	SMA-Q0102FTDL14K7	MELF SMA-Q 14K7 1% 50PPM 0102 0.3W	PRODUCTION
2176649-6	SMA-Q0102FTDL15K	MELF SMA-Q 15K 1% 50PPM 0102 0.3W	PRODUCTION
2176649-7	SMA-Q0102FTDL15K4	MELF SMA-Q 15K4 1% 50PPM 0102 0.3W	PRODUCTION
2176649-8	SMA-Q0102FTDL15K8	MELF SMA-Q 15K8 1% 50PPM 0102 0.3W	PRODUCTION
2176649-9	SMA-Q0102FTDL16K2	MELF SMA-Q 16K2 1% 50PPM 0102 0.3W	PRODUCTION
1-2176649-0	SMA-Q0102FTDL16K5	MELF SMA-Q 16K5 1% 50PPM 0102 0.3W	PRODUCTION
1-2176649-1	SMA-Q0102FTDL16K9	MELF SMA-Q 16K9 1% 50PPM 0102 0.3W	PRODUCTION
1-2176649-2	SMA-Q0102FTDL17K4	MELF SMA-Q 17K4 1% 50PPM 0102 0.3W	PRODUCTION
1-2176649-3	SMA-Q0102FTDL17K8	MELF SMA-Q 17K8 1% 50PPM 0102 0.3W	PRODUCTION
1-2176649-4	SMA-Q0102FTDL18K2	MELF SMA-Q 18K2 1% 50PPM 0102 0.3W	PRODUCTION
1-2176649-5	SMA-Q0102FTDL18K7	MELF SMA-Q 18K7 1% 50PPM 0102 0.3W	PRODUCTION
1-2176649-6	SMA-Q0102FTDL19K1	MELF SMA-Q 19K1 1% 50PPM 0102 0.3W	PRODUCTION
1-2176649-7	SMA-Q0102FTDL19K6	MELF SMA-Q 19K6 1% 50PPM 0102 0.3W	PRODUCTION
1-2176649-8	SMA-Q0102FTDL20K	MELF SMA-Q 20K 1% 50PPM 0102 0.3W	PRODUCTION
1-2176649-9	SMA-Q0102FTDL20K5	MELF SMA-Q 20K5 1% 50PPM 0102 0.3W	PRODUCTION
2-2176649-0	SMA-Q0102FTDL21K	MELF SMA-Q 21K 1% 50PPM 0102 0.3W	PRODUCTION
2-2176649-1	SMA-Q0102FTDL21K5	MELF SMA-Q 21K5 1% 50PPM 0102 0.3W	PRODUCTION
2-2176649-2	SMA-Q0102FTDL22K1	MELF SMA-Q 22K1 1% 50PPM 0102 0.3W	PRODUCTION
2-2176649-3	SMA-Q0102FTDL22K6	MELF SMA-Q 22K6 1% 50PPM 0102 0.3W	PRODUCTION
2-2176649-4	SMA-Q0102FTDL23K2	MELF SMA-Q 23K2 1% 50PPM 0102 0.3W	PRODUCTION
2-2176649-5	SMA-Q0102FTDL23K7	MELF SMA-Q 23K7 1% 50PPM 0102 0.3W	PRODUCTION
2-2176649-6	SMA-Q0102FTDL24K3	MELF SMA-Q 24K3 1% 50PPM 0102 0.3W	PRODUCTION
2-2176649-7	SMA-Q0102FTDL24K9	MELF SMA-Q 24K9 1% 50PPM 0102 0.3W	PRODUCTION
2-2176649-8	SMA-Q0102FTDL25K5	MELF SMA-Q 25K5 1% 50PPM 0102 0.3W	PRODUCTION
2-2176649-9	SMA-Q0102FTDL26K1	MELF SMA-Q 26K1 1% 50PPM 0102 0.3W	PRODUCTION
3-2176649-0	SMA-Q0102FTDL26K7	MELF SMA-Q 26K7 1% 50PPM 0102 0.3W	PRODUCTION
3-2176649-1	SMA-Q0102FTDL27K4	MELF SMA-Q 27K4 1% 50PPM 0102 0.3W	PRODUCTION
3-2176649-2	SMA-Q0102FTDL28K	MELF SMA-Q 28K 1% 50PPM 0102 0.3W	PRODUCTION
3-2176649-3	SMA-Q0102FTDL28K7	MELF SMA-Q 28K7 1% 50PPM 0102 0.3W	PRODUCTION

SCHEDULE

TCPN	CATALOGUE NUMBER	PART DESCRIPTION	PART STATUS
3-2176649-4	SMA-Q0102FTDL29K4	MELF SMA-Q 29K4 1% 50PPM 0102 0.3W	PRODUCTION
3-2176649-5	SMA-Q0102FTDL30K1	MELF SMA-Q 30K1 1% 50PPM 0102 0.3W	PRODUCTION
3-2176649-6	SMA-Q0102FTDL30K9	MELF SMA-Q 30K9 1% 50PPM 0102 0.3W	PRODUCTION
3-2176649-7	SMA-Q0102FTDL31K6	MELF SMA-Q 31K6 1% 50PPM 0102 0.3W	PRODUCTION
3-2176649-8	SMA-Q0102FTDL32K4	MELF SMA-Q 32K4 1% 50PPM 0102 0.3W	PRODUCTION
3-2176649-9	SMA-Q0102FTDL33K2	MELF SMA-Q 33K2 1% 50PPM 0102 0.3W	PRODUCTION
4-2176649-0	SMA-Q0102FTDL34K	MELF SMA-Q 34K 1% 50PPM 0102 0.3W	PRODUCTION
4-2176649-1	SMA-Q0102FTDL34K8	MELF SMA-Q 34K8 1% 50PPM 0102 0.3W	PRODUCTION
4-2176649-2	SMA-Q0102FTDL35K7	MELF SMA-Q 35K7 1% 50PPM 0102 0.3W	PRODUCTION
4-2176649-3	SMA-Q0102FTDL36K5	MELF SMA-Q 36K5 1% 50PPM 0102 0.3W	PRODUCTION
4-2176649-4	SMA-Q0102FTDL37K4	MELF SMA-Q 37K4 1% 50PPM 0102 0.3W	PRODUCTION
4-2176649-5	SMA-Q0102FTDL38K3	MELF SMA-Q 38K3 1% 50PPM 0102 0.3W	PRODUCTION
4-2176649-6	SMA-Q0102FTDL39K2	MELF SMA-Q 39K2 1% 50PPM 0102 0.3W	PRODUCTION
4-2176649-7	SMA-Q0102FTDL40K2	MELF SMA-Q 40K2 1% 50PPM 0102 0.3W	PRODUCTION
4-2176649-8	SMA-Q0102FTDL41K2	MELF SMA-Q 41K2 1% 50PPM 0102 0.3W	PRODUCTION
4-2176649-9	SMA-Q0102FTDL42K2	MELF SMA-Q 42K2 1% 50PPM 0102 0.3W	PRODUCTION
5-2176649-0	SMA-Q0102FTDL43K2	MELF SMA-Q 43K2 1% 50PPM 0102 0.3W	PRODUCTION
5-2176649-1	SMA-Q0102FTDL44K2	MELF SMA-Q 44K2 1% 50PPM 0102 0.3W	PRODUCTION
5-2176649-2	SMA-Q0102FTDL45K3	MELF SMA-Q 45K3 1% 50PPM 0102 0.3W	PRODUCTION
5-2176649-3	SMA-Q0102FTDL46K4	MELF SMA-Q 46K4 1% 50PPM 0102 0.3W	PRODUCTION
5-2176649-4	SMA-Q0102FTDL47K5	MELF SMA-Q 47K5 1% 50PPM 0102 0.3W	PRODUCTION
5-2176649-5	SMA-Q0102FTDL48K7	MELF SMA-Q 48K7 1% 50PPM 0102 0.3W	PRODUCTION
5-2176649-6	SMA-Q0102FTDL49K9	MELF SMA-Q 49K9 1% 50PPM 0102 0.3W	PRODUCTION
5-2176649-7	SMA-Q0102FTDL51K1	MELF SMA-Q 51K1 1% 50PPM 0102 0.3W	PRODUCTION
5-2176649-8	SMA-Q0102FTDL52K3	MELF SMA-Q 52K3 1% 50PPM 0102 0.3W	PRODUCTION
5-2176649-9	SMA-Q0102FTDL53K6	MELF SMA-Q 53K6 1% 50PPM 0102 0.3W	PRODUCTION
6-2176649-0	SMA-Q0102FTDL54K9	MELF SMA-Q 54K9 1% 50PPM 0102 0.3W	PRODUCTION
6-2176649-1	SMA-Q0102FTDL56K2	MELF SMA-Q 56K2 1% 50PPM 0102 0.3W	PRODUCTION
6-2176649-2	SMA-Q0102FTDL57K6	MELF SMA-Q 57K6 1% 50PPM 0102 0.3W	PRODUCTION
6-2176649-3	SMA-Q0102FTDL59K	MELF SMA-Q 59K 1% 50PPM 0102 0.3W	PRODUCTION
6-2176649-4	SMA-Q0102FTDL60K4	MELF SMA-Q 60K4 1% 50PPM 0102 0.3W	PRODUCTION
6-2176649-5	SMA-Q0102FTDL61K9	MELF SMA-Q 61K9 1% 50PPM 0102 0.3W	PRODUCTION
6-2176649-6	SMA-Q0102FTDL63K4	MELF SMA-Q 63K4 1% 50PPM 0102 0.3W	PRODUCTION

THIS DRAWING IS A CONTROLLED DOCUMENT.

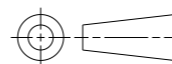
DWN	DHEERAJ M	22NOV2023
CHK	TRACY G	22NOV2023
APVD	ALLAN P	22NOV2023
PRODUCT SPEC	-	-
APPLICATION SPEC	-	-
WEIGHT	-	-



TE Connectivity

DIMENSIONS:  
mm

TOLERANCES UNLESS OTHERWISE SPECIFIED:



0 PLC	±0.2
1 PLC	±0.1
2 PLC	±
3 PLC	±
4 PLC	±
ANGLES	±5°
FINISH	-

MATERIAL

-

NAME METAL FILM PRECISION MELF RESISTORS  
AEC-Q200 QUALIFIED TYPE  
SMA-Q 0102 SERIES

SIZE CAGE CODE DRAWING NO RESTRICTED TO

A3 00779 C-2176649

CUSTOMER DRAWING

SCALE 40:1 SHEET 2 OF 3 REV BA

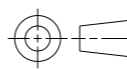
REVISIONS

P	LTR	DESCRIPTION	DATE	DWN	APVD
-		SEE SHEET 1	-	-	-


SCHEDULE

TCPN	CATALOGUE NUMBER	PART DESCRIPTION	PART STATUS
6-2176649-7	SMA-Q0102FTDL64K9	MELF SMA-Q 64K9 1% 50PPM 0102 0.3W	PRODUCTION
6-2176649-8	SMA-Q0102FTDL66K5	MELF SMA-Q 66K5 1% 50PPM 0102 0.3W	PRODUCTION
6-2176649-9	SMA-Q0102FTDL68K1	MELF SMA-Q 68K1 1% 50PPM 0102 0.3W	PRODUCTION
7-2176649-0	SMA-Q0102FTDL69K8	MELF SMA-Q 69K8 1% 50PPM 0102 0.3W	PRODUCTION
7-2176649-1	SMA-Q0102FTDL71K5	MELF SMA-Q 71K5 1% 50PPM 0102 0.3W	PRODUCTION
7-2176649-2	SMA-Q0102FTDL73K2	MELF SMA-Q 73K2 1% 50PPM 0102 0.3W	PRODUCTION
7-2176649-3	SMA-Q0102FTDL75K	MELF SMA-Q 75K 1% 50PPM 0102 0.3W	PRODUCTION
7-2176649-4	SMA-Q0102FTDL76K8	MELF SMA-Q 76K8 1% 50PPM 0102 0.3W	PRODUCTION
7-2176649-5	SMA-Q0102FTDL78K7	MELF SMA-Q 78K7 1% 50PPM 0102 0.3W	PRODUCTION
7-2176649-6	SMA-Q0102FTDL80K6	MELF SMA-Q 80K6 1% 50PPM 0102 0.3W	PRODUCTION
7-2176649-7	SMA-Q0102FTDL82K5	MELF SMA-Q 82K5 1% 50PPM 0102 0.3W	PRODUCTION
7-2176649-8	SMA-Q0102FTDL84K5	MELF SMA-Q 84K5 1% 50PPM 0102 0.3W	PRODUCTION
7-2176649-9	SMA-Q0102FTDL86K6	MELF SMA-Q 86K6 1% 50PPM 0102 0.3W	PRODUCTION
8-2176649-0	SMA-Q0102FTDL88K7	MELF SMA-Q 88K7 1% 50PPM 0102 0.3W	PRODUCTION
8-2176649-1	SMA-Q0102FTDL90K9	MELF SMA-Q 90K9 1% 50PPM 0102 0.3W	PRODUCTION
8-2176649-2	SMA-Q0102FTDL93K1	MELF SMA-Q 93K1 1% 50PPM 0102 0.3W	PRODUCTION
8-2176649-3	SMA-Q0102FTDL95K3	MELF SMA-Q 95K3 1% 50PPM 0102 0.3W	PRODUCTION
8-2176649-4	SMA-Q0102FTDL97K6	MELF SMA-Q 97K6 1% 50PPM 0102 0.3W	PRODUCTION
8-2176649-5	SMA-Q0102FTDL100K	MELF SMA-Q 100K 1% 50PPM 0102 0.3W	PRODUCTION
8-2176649-6	SMA-Q0102FTDL102K	MELF SMA-Q 102K 1% 50PPM 0102 0.3W	PRODUCTION
8-2176649-7	SMA-Q0102FTDL105K	MELF SMA-Q 105K 1% 50PPM 0102 0.3W	PRODUCTION
8-2176649-8	SMA-Q0102FTDL107K	MELF SMA-Q 107K 1% 50PPM 0102 0.3W	PRODUCTION
8-2176649-9	SMA-Q0102FTDL110K	MELF SMA-Q 110K 1% 50PPM 0102 0.3W	PRODUCTION
9-2176649-0	SMA-Q0102FTDL113K	MELF SMA-Q 113K 1% 50PPM 0102 0.3W	PRODUCTION
9-2176649-1	SMA-Q0102FTDL115K	MELF SMA-Q 115K 1% 50PPM 0102 0.3W	PRODUCTION
9-2176649-2	SMA-Q0102FTDL118K	MELF SMA-Q 118K 1% 50PPM 0102 0.3W	PRODUCTION
9-2176649-3	SMA-Q0102FTDL121K	MELF SMA-Q 121K 1% 50PPM 0102 0.3W	PRODUCTION
9-2176649-4	SMA-Q0102FTDL124K	MELF SMA-Q 124K 1% 50PPM 0102 0.3W	PRODUCTION
9-2176649-5	SMA-Q0102FTDL127K	MELF SMA-Q 127K 1% 50PPM 0102 0.3W	PRODUCTION
9-2176649-6	SMA-Q0102FTDL130K	MELF SMA-Q 130K 1% 50PPM 0102 0.3W	PRODUCTION
9-2176649-7	SMA-Q0102FTDL133K	MELF SMA-Q 133K 1% 50PPM 0102 0.3W	PRODUCTION
9-2176649-8	SMA-Q0102FTDL137K	MELF SMA-Q 137K 1% 50PPM 0102 0.3W	PRODUCTION
9-2176649-9	SMA-Q0102FTDL140K	MELF SMA-Q 140K 1% 50PPM 0102 0.3W	PRODUCTION

THIS DRAWING IS A CONTROLLED DOCUMENT.

DIMENSIONS: mm	TOLERANCES UNLESS OTHERWISE SPECIFIED:
	0 PLC ±0.2 1 PLC ±0.1 2 PLC ± 3 PLC ± 4 PLC ± ANGLES ±5°
MATERIAL	FINISH
-	-

DWN	22NOV2023
CHK	22NOV2023
APVD	22NOV2023
PRODUCT SPEC	-
APPLICATION SPEC	-
WEIGHT	-
CUSTOMER DRAWING	

		TE Connectivity	
		NAME	
METAL FILM PRECISION MELF RESISTORS		RESTRICTED TO	
AEC-Q200 QUALIFIED TYPE		-	
SMA-Q 0102 SERIES		-	
SIZE	CAGE CODE	DRAWING NO	RESTRICTED TO
A3	00779	©=2176649	-
SCALE		SHEET	REV
40:1		3 OF 3	BA