

PRODUCT DETAILS

ARTICLE: [18968FRFD](#)



WHEEL P 125X40/50 PLAIN BORE BOLT HOLE F.14 FORK M22 + BRAKE

Wheel series P

Monolithic polyamide 6 wheels available with standard shielded or stainless steel precision ball bearings; standard or stainless steel roller bearing; plain bore.
Plain bore wheel.

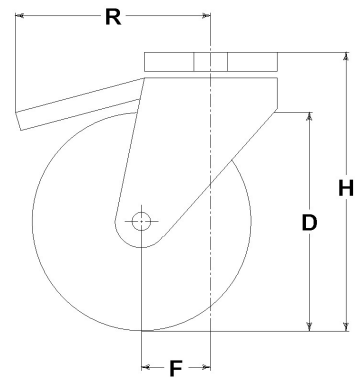
Castor series M22

M22 series, Medium-light pressed steel fork assemblies; swivel version has double ball raceways. Zincplated.
Trailing foot brake - total stop.
Single bolt hole fixing for bolt diam. 12-14 mm.



Technical data

Wheel diameter	D	125 mm
Tyre width	E	40,0 mm
Bore diameter	d	20 mm
Weight article		1,270 kg
Hub width	L	50 mm
Overall height	H	159 mm
Fixing bolt diameter	g	M12-14
Offset	F	49 mm
Fork width	U	50 mm
Load Capacity		200 kg



Related Articles

- Spare part wheel: [4023](#)
- Basic version: [18968FD](#)
- Version with footguard: [18968PPFD](#)
- Version with trailing brake and footguard: [18968FRPPFD](#)
- Version with thread-guards: [18968PFFD](#)
- Version with trailing brake and thread-guards: [18968FRPFFD](#)

GENERAL INFORMATION / RECOMMENDATIONS AND WARNINGS

The cited text and the complete catalogue in their most up-dated versions are available in the OEM's website page www.lagspa.it/downloads. The dimensions, descriptions, specifications and illustrations herein are indicative and subject to variations without notice. The fact that products are illustrated herein does not necessarily imply they are available from stock nor does it place us under any obligation to supply them. Tests carried out refer to the original products with original accessories: the replacement of one of the components with others of different manufacture might prevent the same results from being achieved and will automatically invalidate any guarantee. Please contact our technical service concerning any special application.