

75920 MASTER BATTERY DISCONNECT SWITCH SERIES

300 A • SPST • IP68 • Integrated lockout tag-out



Description

The Littelfuse 75920 Master Battery Disconnect switch is designed to protect service personnel and your vehicle systems. The switch protects vehicles from both battery drain and theft as well as allowing service personnel to lock-out tag-out. It also serves as an effective emergency power cutoff.

Features/Benefits

- High amperage capacity: 300 A at 12 Vdc
- Can be used in high side or low side applications
- Waterproof and dustproof to IP68 - switch can be mounted in exposed locations
- Composite engineered polymer housing will not rust or corrode. Tested per SAE 1455 for salt, calcium chloride and magnesium chloride
- Large red knob is easy to operate with gloves
- 90° switch travel makes it easy to identify the switch position
- Large divider on base prevents accidental shorting of high energy cables
- Fits standard Master Disconnect mounting pattern

Specifications

Operating Voltage:	6 V min, 36 V max
Continuous Current:	12 V: 300 A max 24 V: 300 A max 36 V: 200 A max
Intermittent Current:	12 V: 1000 A 90 sec on, 5 min off 12 V: 1500 A 60 sec on, 5 min off 12 V: 2000 A 30 sec on, 5 min off 12 V: 3000 A 15 sec on, 5 min off
Operating Temp:	-40 to +85 °C
Ingress Protection:	IP68
Corrosion Test:	96 hours - salt spray test to ASTM standard
Vibration and Shock Test:	SAE J1455
Mounting Stem:	Threads: 3/4"-16 Torque: 18 ft-lbs max (24.4 Nm)
Knob Retention Screw Torque:	12 in-lbs (1.35 Nm)

Applications

- Heavy Truck
- Off-Road
- Emergency Vehicles
- Material Handling
- Mining
- Agricultural
- Marine
- Construction

Web Resources

Download installation instructions, 2D prints and technical resources at:
littelfuse.com/75920

Ordering Information

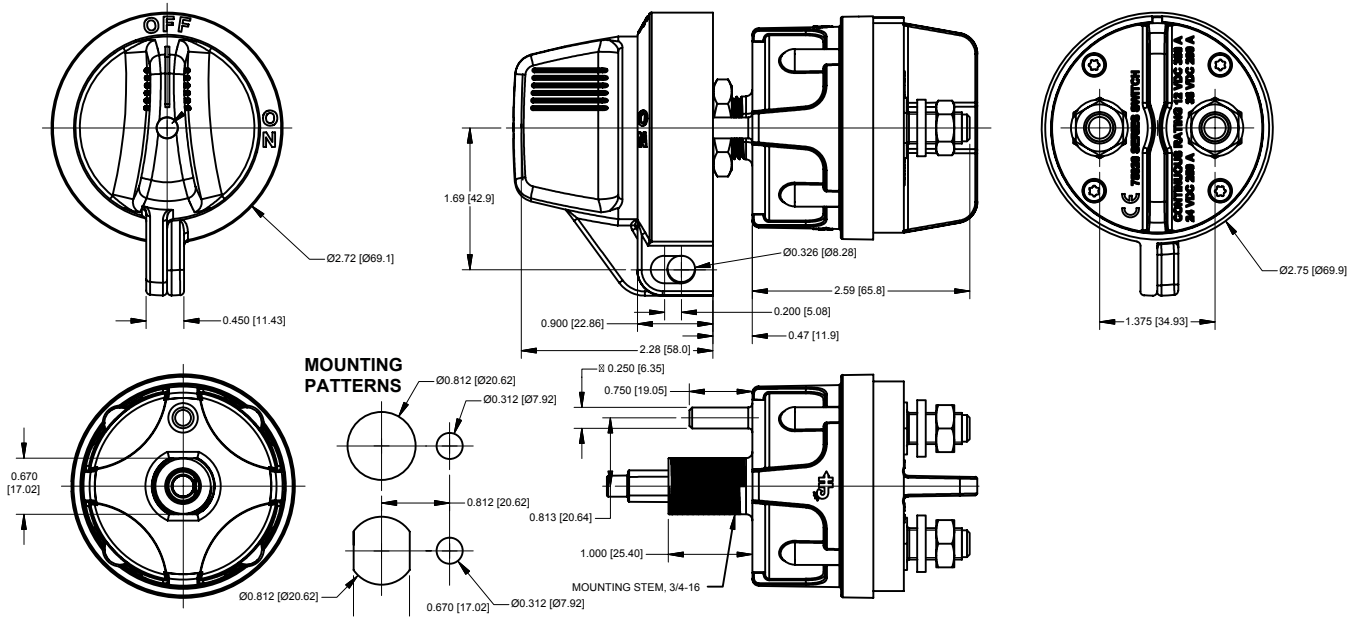
PART NUMBERS			SWITCH POSITION SYMBOLS	BATTERY TERMINAL		
BULK	INDIVIDUALLY BOXED	RETAIL CLAMSHELL		THREADS	TORQUE	MATERIAL
75920	75920-BX	75920-BP	"On" - "Off"	3/8-24"	70-90in-lbs (8-10 Nm)	Brass Hex Nut
75920-05	75920-05-BX	75920-05-BP	"1" - "0"	3/8-24"	70-90in-lbs (8-10 Nm)	Brass Hex Nut
75920-10	75920-10-BX	75920-10-BP	"On" - "Off"	3/8-24"	70-90in-lbs (8-10 Nm)	Stainless Steel Hex Nut
75921	75921-BX	75921-BP	"1" - "0"	M10x1.5	70-90in-lbs (8-10 Nm)	Brass Hex Nut
75921-10	75921-10-BX	75821-10-BP	"1" - "0"	M10x1.5	70-90in-lbs (8-10 Nm)	Stainless Steel Hex Nut

Need a custom version? This product can be made available with a custom knob and bezel design. Please contact your sales rep to discuss lead time and minimum order requirements.

75920 MASTER BATTERY DISCONNECT SWITCH SERIES

Dimensions in inches (millimeters)

75920



75921

