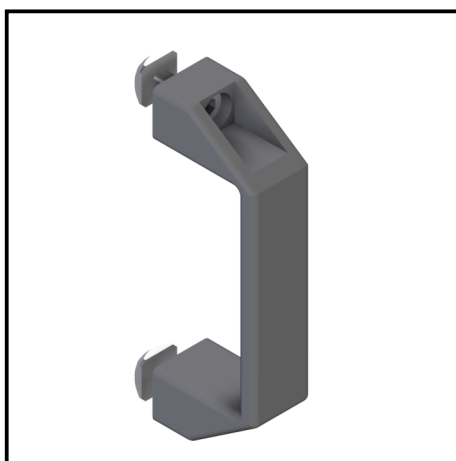
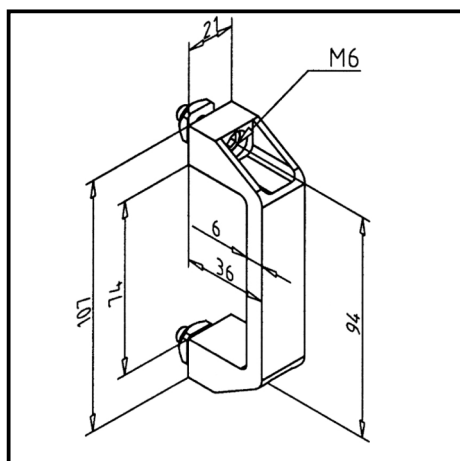


HANDLE 90 F GREY WITH SQUARE-NUT AND POSITION-FIXING

Article Nr. 21.1099/4

[See the product on the website](#) →



TECHN. DATA / ITEMS SUPPLIED

- PA, grey
- With fastening material steel, zinc plated
- Weight = 0.064 kg/piece

APPLICATIONS

- Doors
- Lids
- Guard units

ASSEMBLY

- Fasten to profile groove with supplied hardware
- Directly on panel element with cylinder screw M6, length according to material thickness