

MATERIALS AND FINISHES

BODY: BRASS
PLATED TRI-M

CONTACT: BRASS
PLATED SILVER

INSULATOR: TEFLON

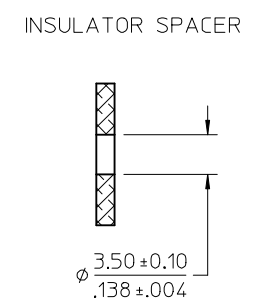
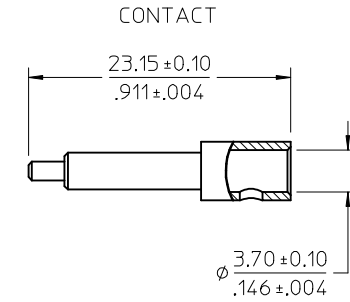
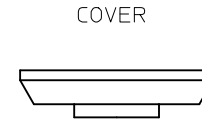
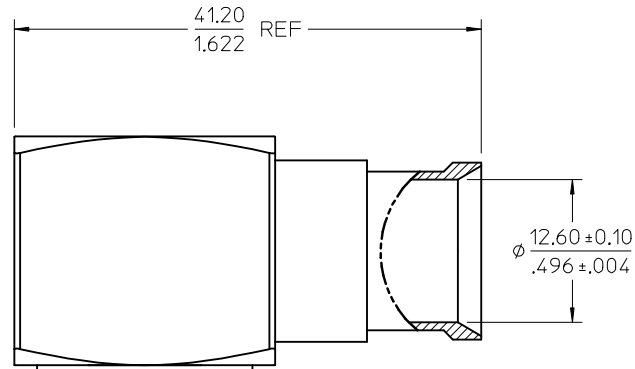
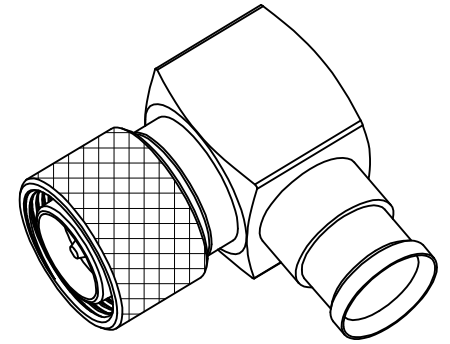
COUPLING NUT: BRASS
PLATED NICKEL

O-RING: SILICONE RUBBER

NOTE: CONNECTORS SHIPPED
WITH POLYETHYLENE
DUST CAP

PERFORMANCE REQUIREMENTS:

FREQUENCY RANGE: 0-6GHz
IMPEDANCE: 50 OHM
WITHSTAND VOLTAGE(AC): 2500V @0.5mA
VSWR: ≤1.10(0-3GHz)
PIM3(2x20W): ≤-160dBc@1800MHz
WATER-PROOF: IP68 WHEN MATED



4.3-10 PLUG
INTERFACE

73162-6181	ONE PIECE PER CARTON
73162-6180	BLANK
PART NO.	PACKAGING

IEC61169-54	INTERFACE
SPECIFICATION	DESCRIPTION

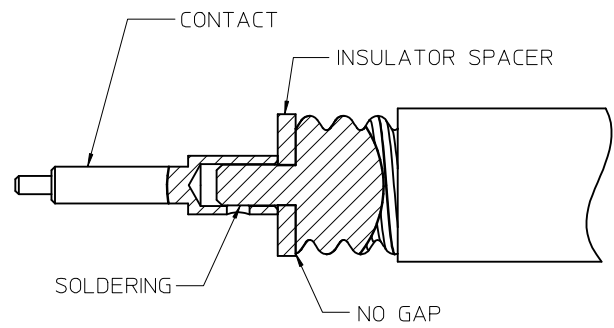
CHG: AND PACKAG. 0-6GHz WAS 0-4GHz. 2500V WAS 1500V. PN.73162 WAS 73134	EC NO: URF2016-0691	DATE: 2016/04/15
	DRWN:YHUANG11	CHKD: YHUANG11
A1	APPR:MYE08	DATE: 2016/04/20
	DESCRIPTION	QUALITY SYMBOLS

GENERAL TOLERANCES (UNLESS SPECIFIED)	mm	INCH
	4 PLACES ± ---	± ---
	3 PLACES ± ---	± ---
	2 PLACES ± ---	± ---
	1 PLACE ± ---	± ---
	0 PLACE ± ---	± ---
ANGULAR ± 2°		
DRAFT WHERE APPLICABLE MUST REMAIN WITHIN DIMENSIONS		

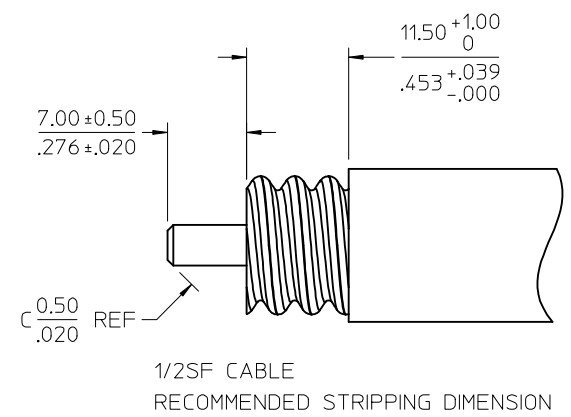
DIMENSION STYLE		SCALE
MM/IN		DESIGN UNITS
DRAWN BY: YHUANG11		DATE: 2015/12/04
CHECKED BY: MXU11		DATE: 2015/12/04
APPROVED BY: MYE08		DATE: 2016/02/29
MATERIAL NO.		DOCUMENT NO.
SEE TABLE		SD-73162-618
SIZE		SHEET NO.
C THIS DRAWING CONTAINS INFORMATION THAT IS PROPRIETARY TO MOLEX INCORPORATED AND SHOULD NOT BE USED WITHOUT WRITTEN PERMISSION		1 OF 2

TITLE		THIRD ANGLE PROJECTION
4.3-10 PLUG R/A,50 OHM FOR 1/2SF CA, SOLDERING 4.3-10-R/A-PS		
molex		

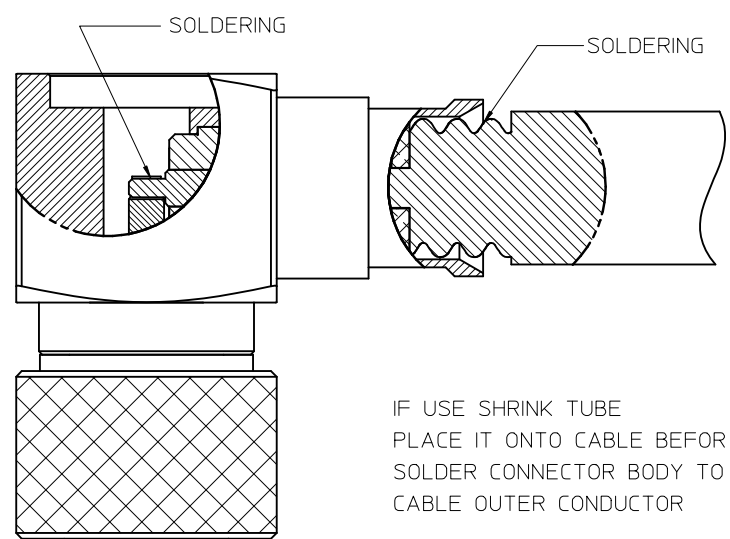
STEP 2



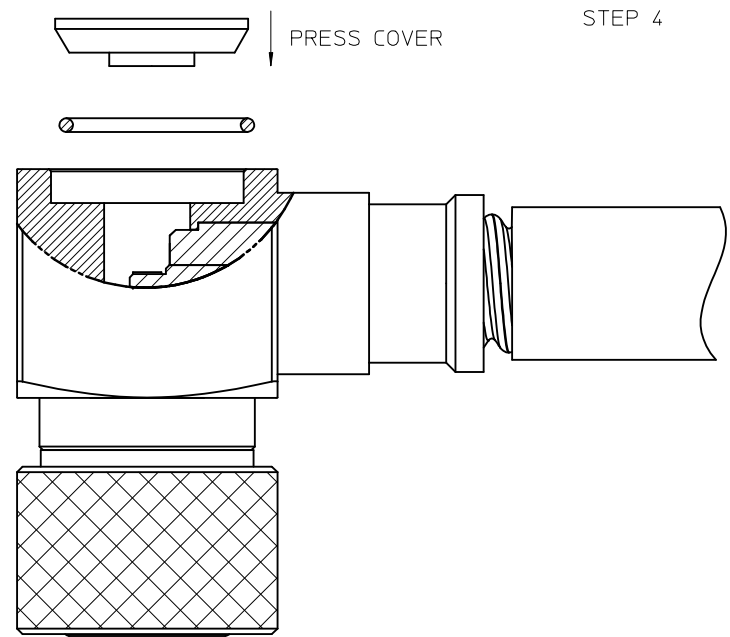
STEP 1



STEP 3



STEP 4



CHG: SEE SHEET 1 EC NO: URF2016-0691 DRAWN: YHUANG11 2016/04/15 CHKD: APPR: MYE08 2016/04/20	QUALITY SYMBOLS	GENERAL TOLERANCES (UNLESS SPECIFIED)	DIMENSION STYLE	SCALE	DESIGN UNITS	THIRD ANGLE PROJECTION																						
	$\nabla = 0$ $\nabla = 0$ $\nabla = 0$	<table border="1"> <tr><th colspan="2">mm</th><th colspan="2">INCH</th></tr> <tr><td>4 PLACES</td><td>± ---</td><td>± ---</td><td>± ---</td></tr> <tr><td>3 PLACES</td><td>± ---</td><td>± ---</td><td>± ---</td></tr> <tr><td>2 PLACES</td><td>± ---</td><td>± ---</td><td>± ---</td></tr> <tr><td>1 PLACE</td><td>± ---</td><td>± ---</td><td>± ---</td></tr> <tr><td>0 PLACE</td><td>± ---</td><td>± ---</td><td>± ---</td></tr> </table>	mm		INCH		4 PLACES	± ---	± ---	± ---	3 PLACES	± ---	± ---	± ---	2 PLACES	± ---	± ---	± ---	1 PLACE	± ---	± ---	± ---	0 PLACE	± ---	± ---	± ---	MM/IN	METRIC
mm		INCH																										
4 PLACES	± ---	± ---	± ---																									
3 PLACES	± ---	± ---	± ---																									
2 PLACES	± ---	± ---	± ---																									
1 PLACE	± ---	± ---	± ---																									
0 PLACE	± ---	± ---	± ---																									
REV: A1	DESCRIPTION	ANGULAR ± 2°	DRAWN BY: YHUANG11 DATE: 2015/12/04	TITLE: 4.3-10 PLUG R/A, 50 OHM FOR 1/2SF CA, SOLDERING 4.3-10-R/A-PS	DOCUMENT NO. SD-73162-618																							
		DRAFT WHERE APPLICABLE MUST REMAIN WITHIN DIMENSIONS	CHECKED BY: MXU11 DATE: 2015/12/04	MATERIAL NO. SEE TABLE		SHEET NO. 2 OF 2																						
THIS DRAWING CONTAINS INFORMATION THAT IS PROPRIETARY TO MOLEX INCORPORATED AND SHOULD NOT BE USED WITHOUT WRITTEN PERMISSION																												