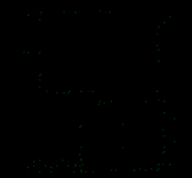


FUJITSU

D Y N A **M O**

User's Guide



Getting Started

Congratulations on your purchase of the DynaMO 640SE Magneto-Optical (MO) drive.

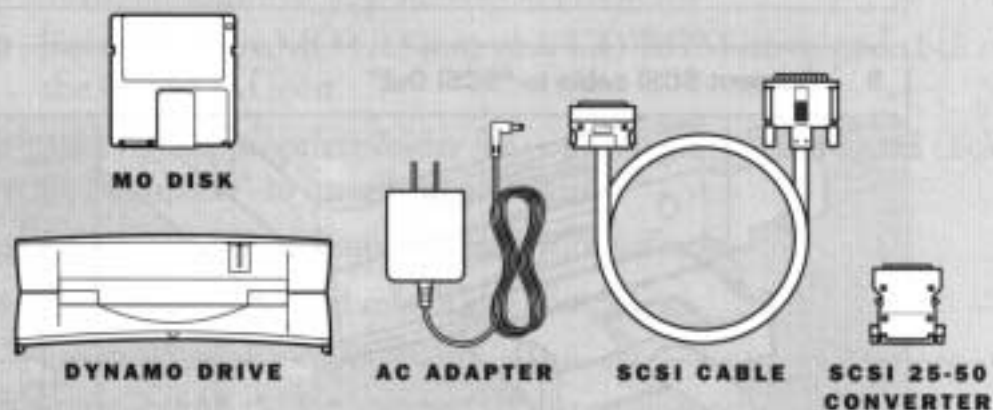
Precision. We've designed the DynaMO 640SE for precision and durability - ideal for backing up and securing your most critical work.

Compatibility. DynaMO 640SE is a high-performance MO drive which can use 128-, 230-, 540- and 640-megabyte MO disks. In addition, you can use Direct OverWrite (OW) disks, which enable even faster data processing.

Support. Before using your DynaMO 640SE, check that all the components in the packing list are included in the box. If any components are missing, please contact the place of purchase. This guide will help you set-up and use your DynaMO drive successfully. If you need further assistance, call our customer service center at 1-800-626-4686.

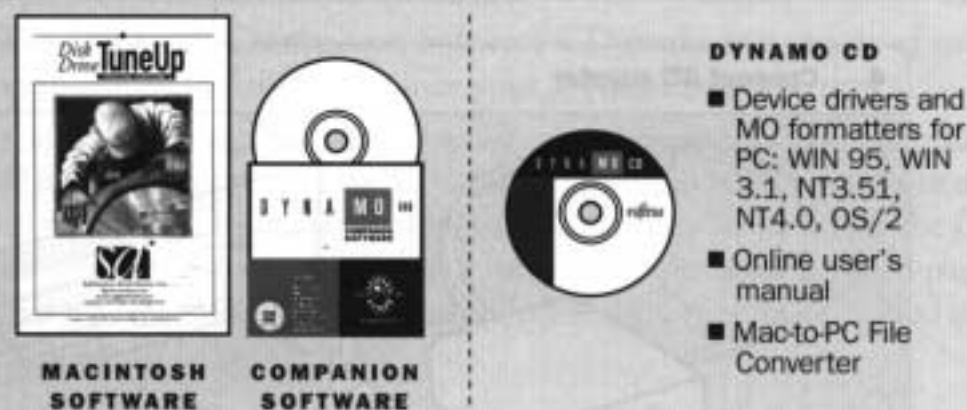
Connecting Your DynaMO Hardware

Page 1



Installing DynaMO Software/Formatting Disks

Page 2-3



Using Your DynaMO

Pages 4-8

Inserting/Ejecting MO Disks	4
Write Protection	5
Cleaning	5
Setting SCSI Address & DIP Switches	6
Do's and Don'ts	7
Troubleshooting	7
Technical Specifications	8

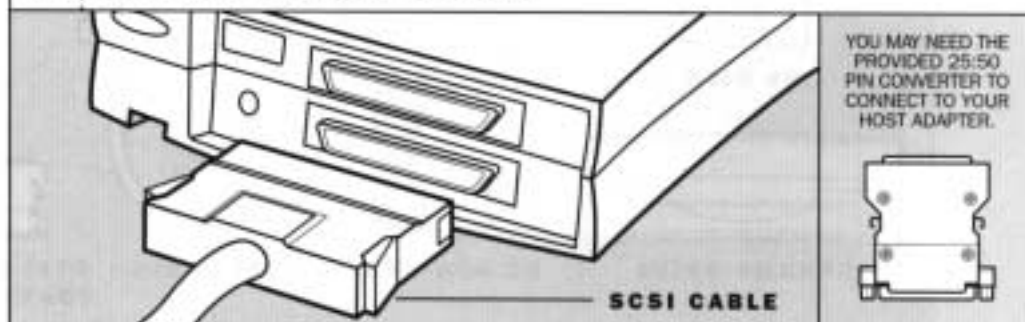


Connecting your DynaMO Hardware

1 Make sure that a SCSI host adapter is installed in your computer

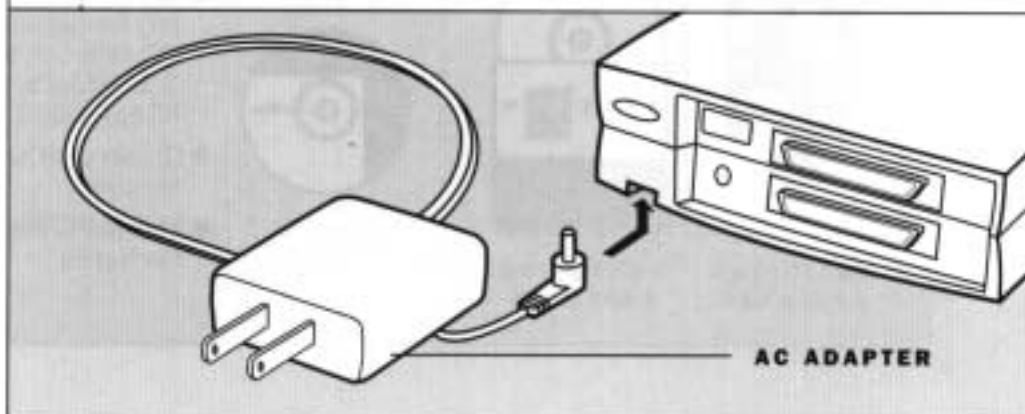
2 Turn off your computer

3 Connect SCSI cable to "SCSI Out"

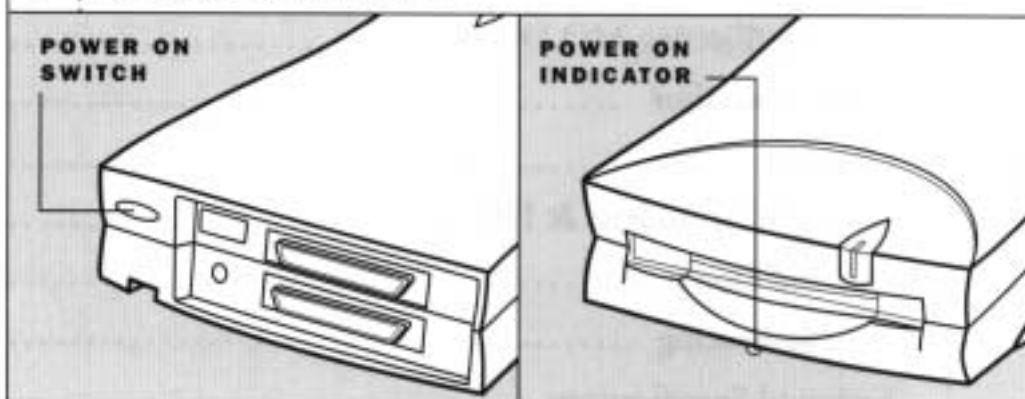


If you have other SCSI devices attached to your host adapter it may be necessary to change the SCSI ID or DIP switches on your DynaMO. MacOS users will need to change DIP switch setting to Macintosh mode SEE PAGE 6

4 Connect AC adapter



5 Power on DynaMO 640SE





Installing your DynaMO Software

- 1 Turn on the DynaMO 640SE (green power indicator light will be lit).
- 2 Turn on computer and close all applications.
- 3 Insert the DynaMO CD into your CD-ROM drive, and click on the CD-ROM icon.
- 4 Select the appropriate folder for your operating system and click on "setup.exe" to install the software.
- 5 Follow the instructions to install your software.
- 6 Remove the CD and reboot the computer.



MacOS Users. The DynaMO CD does not contain Macintosh device drivers or a Macintosh MO disk formatter. Please refer to the set-up instructions in the "Disk Drive Tune Up" packet.

DynaMO Companion Software CD

The DynaMO Companion Software CD contains a variety of useful applications to further enhance your DynaMO experience.

You are responsible for the installation, management and operation of these applications. Fujitsu Computer Products of America makes no representations or warranties for the software included on the CD. All warranties, representations or support are provided by third parties and are described in the end user license agreement(s) included on the CD.



Formatting your MO Disks

Removable disks are formatted differently for different operating systems. The MO disk included in this package is not formatted. You must format the MO disk before using.



Warning: Formatting, reformatting, or changing partitions on a MO disk will erase all data on the disk. Back up data if necessary before proceeding.

- 1 Insert a MO disk into the DynaMO 640SE.
- 2 Run the MO Formatter (located in the DynaMO 640 folder).
- 3 Select the MO disk in the "Select a Disk Drive" list.
- 4 Format your MO disk in one of the following ways:

FORMAT	RESTRICTIONS	COMPATIBILITY
Super Floppy	1 partition only	Greatest compatibility with Operating Systems
PC/AT HDD	1 or more partitions	Some Operating System restrictions

- 5 Press Start and select a Volume label.
- 6 When the formatting is complete, the MO disk is ready to use.

Note: You also have the option of performing a low level format. This type of format scans the entire MO disk to optimize disk performance and takes 15 to 20 minutes. Low level formatting is only recommended for older, heavily used MO disks.

For more information, or if you have additional questions about formatting your MO disk, refer to the On-Line help manual or help instructions installed on your PC.



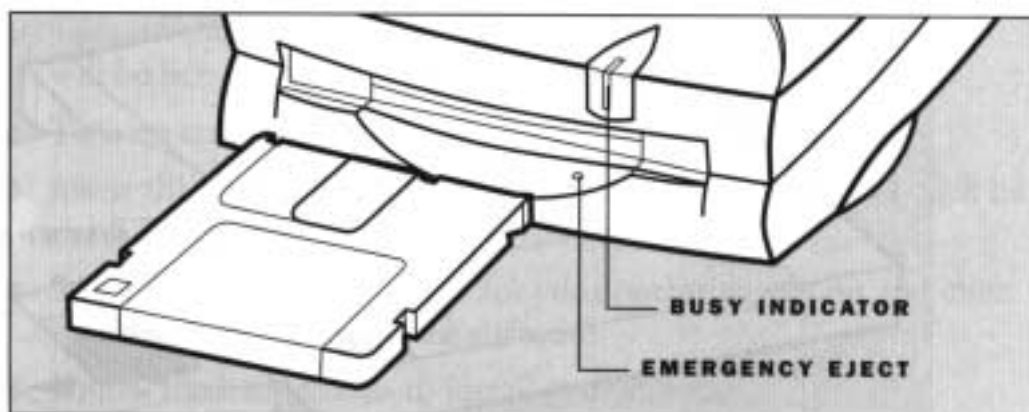
Windows NT Users. Formatting instructions for NT3.51 and NT4.0 are slightly different. Refer to the On-Line help manual or help instructions on the DynaMO CD.



MacOS Users. The DynaMO CD does not contain a Mac Formatter. Please refer to the formatter instructions in the "Disk Drive Tune Up" packet.



Using your MO Disks



Inserting a MO Disk

Gently insert the MO disk with the label side up, as shown above, until the disk clicks into place. Never force the disk into the drive or insert the MO disk upside down as this may damage the drive.

Ejecting a MO Disk

	EJECT FROM SOFTWARE	MANUAL EJECT
PC User	Click the removable disk icon with the right mouse button and select "Eject" from the pull-down menu.	Press the eject button of the DynaMO 640SE.
MAC User	Drag and drop the MO disk drive icon into the trash can.	

Warning: Never eject the MO disk while the busy indicator light is on. Damage to, or loss of, data may result.

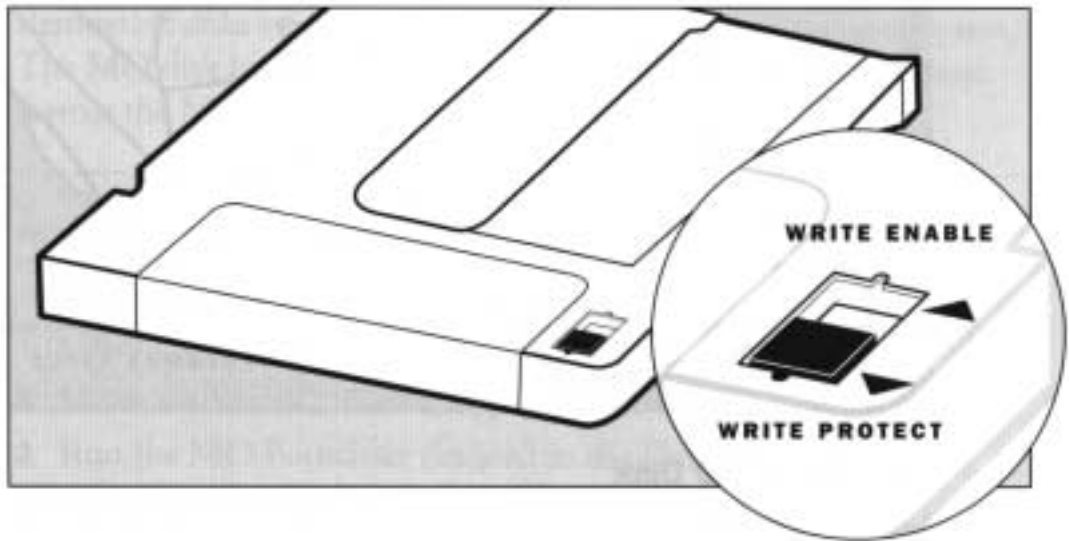
Emergency Eject

If the MO disk cannot be ejected as described above, or appears to be jammed in the drive, the disk can be ejected using Emergency Eject.

1. Turn off the DynaMO 640SE and wait for 30 seconds or more before ejecting the MO disk.
2. Straighten one end of a large paper clip.
3. Insert the straightened end of the paper clip into the hole just below the shutter door, and push gently but firmly until the MO disk is ejected.



Since a floppy disk is about the same size as a MO disk, be careful to never insert a floppy disk into your DynaMO. Never insert foreign objects into the drive.



Write protection

Your MO disk has Write Protect capability. Enabling the write protection on the MO disk prevents data from being lost or altered accidentally. Move switch up for Write Enable or down for Write Protect.



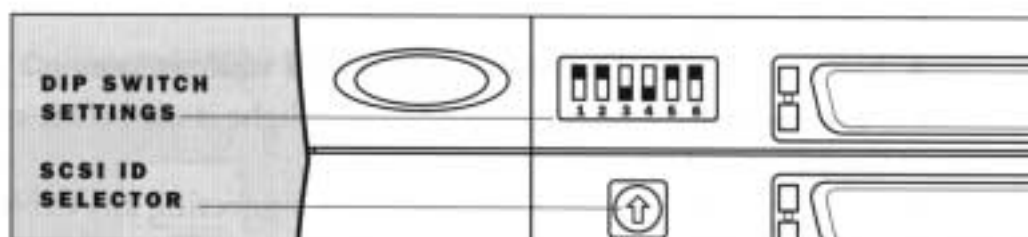
Use care when handling your MO disk as dirt, fingerprints, and moisture may degrade the disk performance.

Cleaning the MO disk

In normal office environments, cleaning the MO disk is not required. In some cases, however, dust may build up on the surface of the disk and cleaning of the disk may be required. Please contact your place of purchase for information on the MO disk cleaning kit.

Cleaning your DynaMO 640SE

In normal office environments, cleaning your DynaMO drive is not required. In some cases, however, dust may build up on the objective lens of the drive and cleaning may be necessary. To clean the objective lens you will need an optical lens cleaning kit (part number CA90002-C980). Please contact your place of purchase for information on where to purchase a lens cleaning kit.



SCSI ID

A SCSI ID is an address number (0 through 7) assigned to a SCSI device. In a SCSI chain each device must have a unique SCSI ID number. The DynaMO 640SE SCSI ID is factory set to 2. If this address is already in use, turn off the DynaMO, adjust the SCSI ID selector, and reboot the computer. **Never assign your drive ID 6 or 7. These ID's are usually reserved for your SCSI host adapter and hard disk drives.** Please read your SCSI host adapter user's guide for confirmation.

Creating a SCSI Chain

You can connect a series of SCSI devices to form a chain on a single SCSI host adapter. For any SCSI chain, the total length of all the cables in the chain should not exceed 6 meters (19.6 feet.). **We recommend that each SCSI cable in the chain does not exceed 1 meter (3.3 feet).**

DIP Switch Settings SHADED AREAS ARE THE PRESET SETTINGS

#	DESCRIPTION	ON MODE	OFF MODE
1	Device Type	If drive is used as optical storage device	If drive is used as hard disk drive
2	Spindle Power Save Mode	Disk will automatically stop spinning when not in use	Disk will spin continuously while inside the drive.
3	Macintosh Mode	If drive is connected to Apple Macintosh	If drive is connected to computer other than Apple Macintosh
4	SCAM Mode	To activate SCAM	To deactivate SCAM
5	Write Cache Mode	Optimize drive performance by using Write Cache mode.	Normal Mode. Use this mode to optimize for data integrity or if your drive is used in harsh, dusty environments.
6	Terminator	If drive is last device on the SCSI chain. DO NOT USE EXTERNAL TERMINATOR.	If drive is in the middle of the SCSI chain, or if you need to use an external terminator.

For your convenience, a DIP switch label is located on the bottom of the drive.

Do's and Don'ts

- Never disassemble DynaMO 640SE under any circumstances.
- Never drop your DynaMO 640SE.
- Never turn your DynaMO 640SE over while in use.
- Always ensure that the busy indicator light is off before turning the power off.
- Make sure the power is off before disconnecting any cables.
- Remove the MO disk before moving your DynaMO 640SE.
- Never force the disk into the drive or insert a MO disk upside down as this may damage the drive.
- Since a floppy disk is about the same size as your MO disk, be careful to never insert a floppy disk into the DynaMO drive.
- Do not insert foreign objects into the drive.
- Use only ISO-compliant 3.5-inch MO disks.
- Do not use your DynaMO 640SE in areas where dust, dirt, extreme temperatures or moisture is present.

Troubleshooting

Although the DynaMO 640SE is designed to be highly reliable, you may occasionally experience problems. This section describes problems you may encounter when using your DynaMO 640SE. If you experience problems other than those outlined below, contact your dealer or Fujitsu Technical Support (in the US 1-800-626-4686).

The power indicator does not light up.	Is the Power Cord properly connected? Are you using the provided Power Cord? Is the power on button fully depressed?
The computer does not recognize the DynaMO 640.	Is the power indicator light on? Is the busy indicator on? Is the SCSI cable connected properly? Is the SCSI ID selected properly? Is the device driver installed? Is the MO disk inserted correctly? Is the MO disk formatted correctly?
You cannot insert the MO disk.	Is the disk being inserted in the correct direction? Has another MO disk already been inserted? Is the green power on indicator lit?
You cannot eject the MO disk.	Is the green power on indicator lit? Is the busy indicator lit (disk in use?) Is software preventing the disk from being ejected?
You cannot record data on the MO disk.	Is the green power on indicator lit? Are the cables properly attached? Is the MO disk write-protected? Is the MO disk formatted? Is the device driver installed?

Technical Specifications

Disk capacity	128MB	230MB	540MB	640MB	
Disk format	90mm 3.5"MO				
	ISO 10090	ISO 13963	ISO 15041	ISO 15041	
Interface	SCSHI				
Data transfer rate	Drive	1.1 MB/s	1.3-2.11MB/s	2.3-3.9MB/s	2.3-3.9MB/s
	Interface	10MB/s (sync.)			
Average seek time	28ms (typ.)				
Average latency time	8.3ms				
Rotational speed	3,600rpm				
Buffer	2MB				
Input power	100-120VAC.60Hz				
Dimensions	45mm x 126mm x 215mm				
Power requirements	operating	5.3W			
	idle	1.5W			
Temperature	operating	5 - 35°C			
	non-operating	0 - 50°C			
Altitude	operating	max. 3000m			
Humidity	10-85%				

FCC Declaration of Conformity

PRODUCT TYPE Optical Disk Drive
MODEL NUMBER MDC3064SS

This device complies with part 15 of the FCC rules. Operation is subject to the following two conditions: 1) This device may not cause harmful interference, and 2) this device must accept any interference received, including interference that may cause undesired operation.

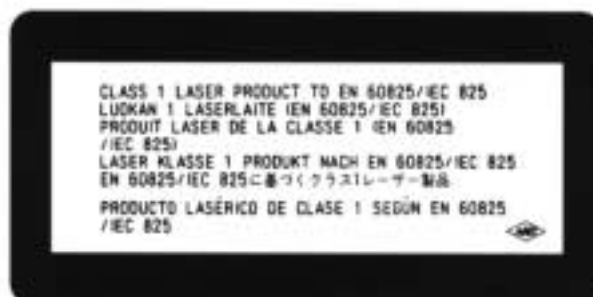
RESPONSIBLE PARTY

NAME Fujitsu Computer Products of America, Inc.
ADDRESS 2904 Orchard Parkway, San Jose, CA 95134-2009
 Telephone: (408) 432-6333

Note: This equipment has been tested and found to comply with the limits for a Class B digital device, pursuant to part 15 of the FCC rules. These limits are designed to provide reasonable protection against harmful interference in a residential installation. This equipment generates, uses and can radiate radio frequency energy and, if not installed and used in accordance with the instructions, may cause harmful interference to radio communications. However, there is no guarantee that interference will not occur in a particular installation. If this equipment does cause harmful interference to radio or television reception, which can be determined by turning the equipment off and on, the user is encouraged to try to correct the interference by one or more of the following measures: 1)Reorient or relocate the receiving antenna, 2)increase the separation between the equipment and receiver, 3)Connect the equipment into an outlet on a circuit different from that to which the receiver is connected, and/or 4) Consult the dealer or an experienced radio/TV technician for help

Class 1 Laser Product

This product is a class 1 laser product to EN 60825/IEC 825. The label shown to the right is affixed to the product.





**FUJITSU COMPUTER
PRODUCTS OF AMERICA, INC.
2904 Orchard Parkway
San Jose, CA 95134-2009
(800) 626-4686
(408) 432-6333
<http://www.fcpa.com>
email: info@fcpa.fujitsu.com**

CG00000-627901