

SACB-QO SET - Screw connection set



1293751

<https://www.phoenixcontact.com/in/products/1293751>

Please be informed that the data shown in this PDF document is generated from our online catalog. Please find the complete data in the user documentation. Our general terms of use for downloads are valid.

QUICKON set for replacement purposes, consisting of splice ring, pressure nut and line seal



Your advantages

- Innovative and time-saving assembly with insulation displacement connection

Commercial data

Item number	1293751
Packing unit	1 pc
Minimum order quantity	1 pc
Sales key	*****
Product key	AF6UCX
GTIN	4063151529260
Weight per piece (including packing)	115.7 g
Weight per piece (excluding packing)	114.8 g
Customs tariff number	85366990
Country of origin	DE

SACB-QO SET - Screw connection set



1293751

<https://www.phoenixcontact.com/in/products/1293751>

Technical data

Notes

Assembly note	NOTE: Observe the permissible bending radii when routing cables, since the degree of protection may be at risk if the bending forces are too high. Reduce mechanical loads upstream of the connector, e.g., by using cable ties.
Order information:	Package contents: 16 pieces
Note on application	Cables with 5 conductors may have a maximum connection cross-section of 0.5 mm ² /20 AWG.

Product properties

Product type	Installation pressure nut
Number of positions	5

Signaling

Status display present	No
------------------------	----

Dimensions

Dimensional drawing	
Width	20 mm
Height	20 mm
Length	31 mm
Wrench size, union nut	16 mm

Material specifications

Material	PA 6.6
Flammability rating according to UL 94	V0
Seal material O-ring	FKM
Wire insulation material	PVC / PE / PP / rubber

Environmental and real-life conditions

Ambient conditions

Degree of protection	IP65
Ambient temperature (operation)	-30 °C ... 80 °C
	-5 °C ... 50 °C (During assembly)

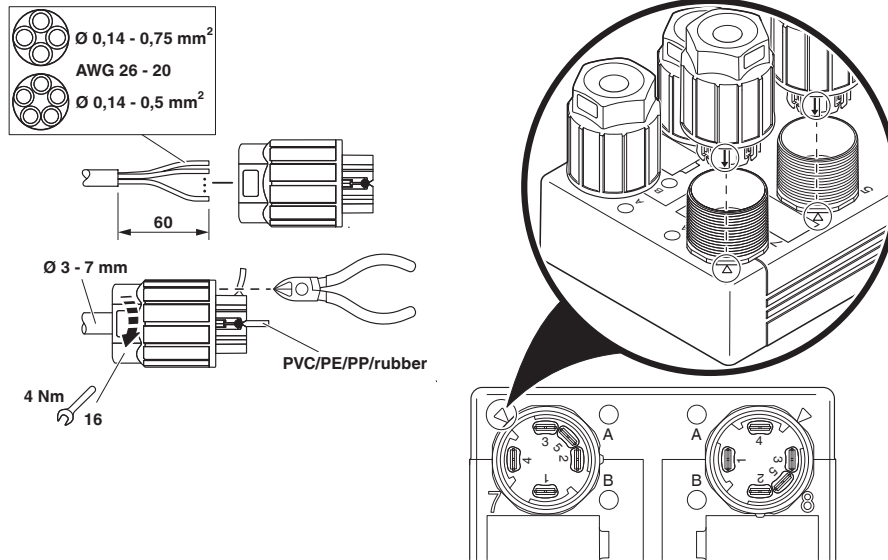
SACB-QO SET - Screw connection set

1293751

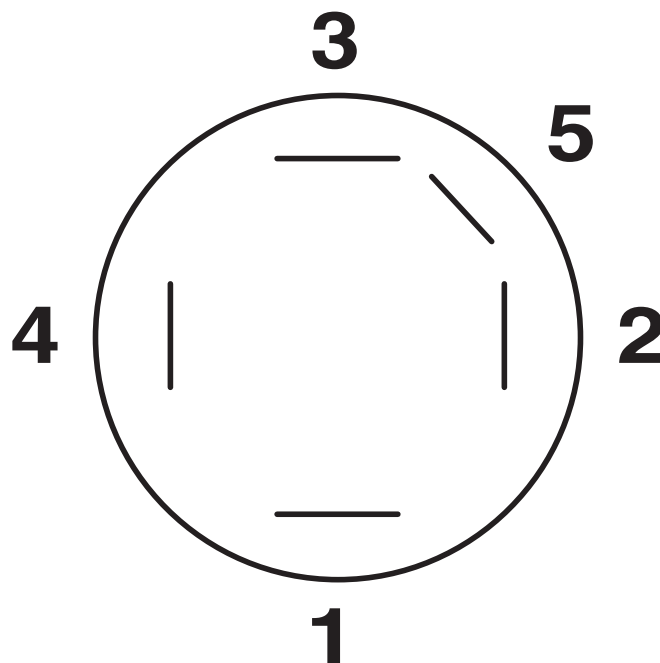
<https://www.phoenixcontact.com/in/products/1293751>

Drawings

Functional drawing



Schematic diagram

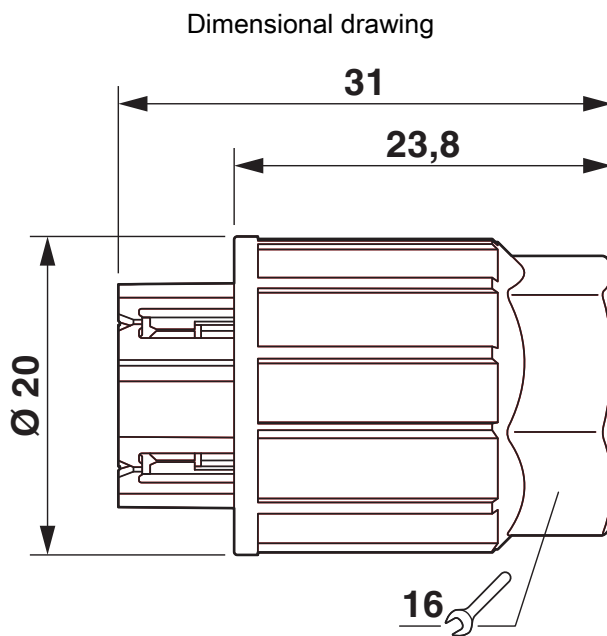


QUICKON connection, 5-pos.

SACB-QO SET - Screw connection set

1293751

<https://www.phoenixcontact.com/in/products/1293751>



SACB-QO SET - Screw connection set



1293751

<https://www.phoenixcontact.com/in/products/1293751>

Classifications

ECLASS

ECLASS-11.0	27440691
ECLASS-13.0	27440691
ECLASS-12.0	27440691

ETIM

ETIM 9.0	EC002863
----------	----------

UNSPSC

UNSPSC 21.0	39121400
-------------	----------

SACB-QO SET - Screw connection set



1293751

<https://www.phoenixcontact.com/in/products/1293751>

Environmental product compliance

EU RoHS

Fulfills EU RoHS substance requirements	Yes, No exemptions
---	--------------------

China RoHS

Environment friendly use period (EFUP)	EFUP-E
	No hazardous substances above the limits

EU REACH SVHC

REACH candidate substance (CAS No.)	No substance above 0.1 wt%
-------------------------------------	----------------------------

SACB-QO SET - Screw connection set

1293751

<https://www.phoenixcontact.com/in/products/1293751>

Mandatory accessories

SACB-4/ 8-C QO - Distributor box

1156003

<https://www.phoenixcontact.com/in/products/1156003>



Distributor box, connection method: QUICKON, 0.14 mm² ... 0.75 mm², number of slots: 4, number of positions: 5, slot assignment: Double, status display: No, Universal; master cable connection: Pluggable screw connection 180°, shielding: no, When connecting 5 conductors, max. 0.5 mm² can be connected

SACB-8/16-C QO - Distributor box

1156004

<https://www.phoenixcontact.com/in/products/1156004>



Distributor box, connection method: QUICKON, 0.14 mm² ... 0.75 mm², number of slots: 8, number of positions: 5, slot assignment: Double, status display: No, Universal; master cable connection: Pluggable screw connection 180°, shielding: no, When connecting 5 conductors, max. 0.5 mm² can be connected

SACB-QO SET - Screw connection set

1293751

<https://www.phoenixcontact.com/in/products/1293751>

SACB-4/ 8-L-C QO - Distributor box

1156005

<https://www.phoenixcontact.com/in/products/1156005>



Distributor box, connection method: QUICKON, 0.14 mm² ... 0.75 mm², number of slots: 4, number of positions: 5, slot assignment: Double, status display: Yes, PNP; master cable connection: Pluggable screw connection 180°, shielding: no, When connecting 5 conductors, max. 0.5 mm² can be connected

SACB-8/16-L-C QO - Distributor box

1156006

<https://www.phoenixcontact.com/in/products/1156006>



Distributor box, connection method: QUICKON, 0.14 mm² ... 0.75 mm², number of slots: 8, number of positions: 5, slot assignment: Double, status display: Yes, PNP; master cable connection: Pluggable screw connection 180°, shielding: no, When connecting 5 conductors, max. 0.5 mm² can be connected

SACB-QO SET - Screw connection set

1293751

<https://www.phoenixcontact.com/in/products/1293751>

SACB-4/ 8-PT QO - Distributor box

1175445

<https://www.phoenixcontact.com/in/products/1175445>



Distributor box, connection method: QUICKON, 0.14 mm² ... 0.75 mm², number of slots: 4, number of positions: 5, slot assignment: Double, status display: No, Universal; master cable connection: Push-in connection 180°, shielding: no, When connecting 5 conductors, max. 0.5 mm² can be connected

SACB-8/16-PT QO - Distributor box

1175447

<https://www.phoenixcontact.com/in/products/1175447>



Distributor box, connection method: QUICKON, 0.14 mm² ... 0.75 mm², number of slots: 8, number of positions: 5, slot assignment: Double, status display: No, Universal; master cable connection: Push-in connection 180°, shielding: no, When connecting 5 conductors, max. 0.5 mm² can be connected

SACB-QO SET - Screw connection set

1293751

<https://www.phoenixcontact.com/in/products/1293751>

SACB-4/ 8-L-PT QO - Distributor box

1175448

<https://www.phoenixcontact.com/in/products/1175448>



Distributor box, connection method: QUICKON, 0.14 mm² ... 0.75 mm², number of slots: 4, number of positions: 5, slot assignment: Double, status display: Yes, PNP; master cable connection: Push-in connection 180°, shielding: no, When connecting 5 conductors, max. 0.5 mm² can be connected

SACB-8/16-L-PT QO - Distributor box

1175449

<https://www.phoenixcontact.com/in/products/1175449>



Distributor box, connection method: QUICKON, 0.14 mm² ... 0.75 mm², number of slots: 8, number of positions: 5, slot assignment: Double, status display: Yes, PNP; master cable connection: Push-in connection 180°, shielding: no, When connecting 5 conductors, max. 0.5 mm² can be connected

Accessories

SACB-QO SET - Screw connection set

1293751

<https://www.phoenixcontact.com/in/products/1293751>



Q-PROT 9/11 - Filler plug

1670235

<https://www.phoenixcontact.com/in/products/1670235>

Closing cap for Pg9/Pg11 to close unoccupied connections



Phoenix Contact 2025 © - all rights reserved

<https://www.phoenixcontact.com>

PHOENIX CONTACT (I) Pvt. Ltd.

A-58/2, Okhla Industrial Area, Phase - II, New Delhi-110 020

+91.1275.71420

info@phoenixcontact.co.in