


Ordering number CA11998_EMILY-SS-WAS

Family	Emily	FWHM	11 degrees
Type	Assembly	Efficiency	88 %
LED	Oslon SSL 150	cd/lm	14.870
Color	Clear	Gerber File	Available
Diameter	26 mm		
Height	14.8 mm		
Style	Round		Especially designed for Wallwasher applications
Optic Material	PMMA		
Holder Material	-		
Fastening	Pin, tape		
Status	Ready		

Ordering number CA12000_EMILY-O-WAS

Family	Emily	FWHM	42+8 degrees
Type	Assembly	Efficiency	87 %
LED	Oslon SSL 150	cd/lm	5.030
Color	Clear	Gerber File	Available
Diameter	26 mm		
Height	14.8 mm		
Style	Round		Especially designed for Wallwasher applications
Optic Material	PMMA		
Holder Material	-		
Fastening	Pin, tape		
Status	Ready		

NOTE: The typical divergence will be changed by different color, chip size and chip position tolerance. The typical total divergence is the full angle measured where the luminous intensity is half of the peak value.



PRODUCT DATASHEET Emily series

last update 12/10/2012



GENERAL INFORMATION

- Product series especially designed & optimized for Oslon SSL 150 series of LEDs.
- Special care taken to make light distribution as uniform as possible.
- Lens material optical grade PMMA with high UV and temperature resistance. Allows use of high current and temperature conditions.

Please find more information about used material from below:

http://ledil.fi/sites/default/files/Documents/Technical/Material/PMMA%20N%20UL94_Yellow%20Card.pdf

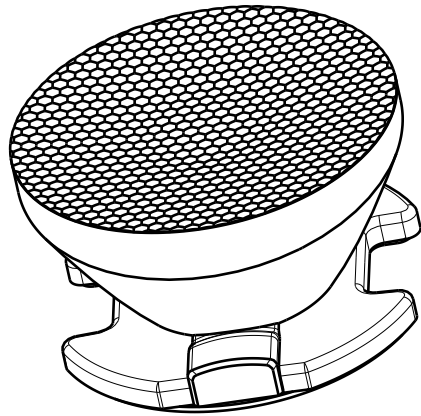
<http://ledil.fi/sites/default/files/Documents/Technical/Material/PMMA%20N%20PLEXIGLAS-Datasheet.pdf>

D

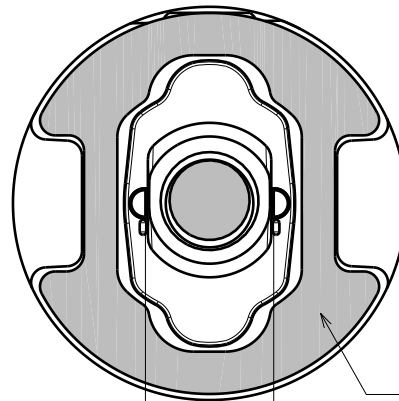
C

B

A



Isometric view

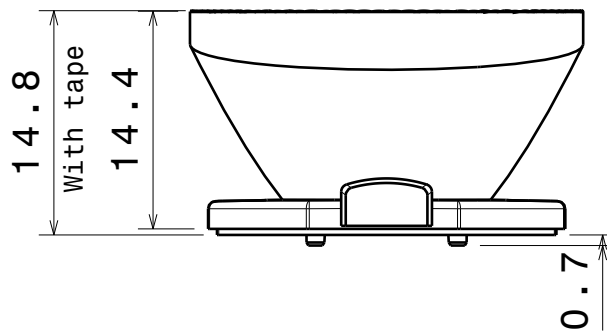


Bottom view

0.4mm tape

8.6

location pins

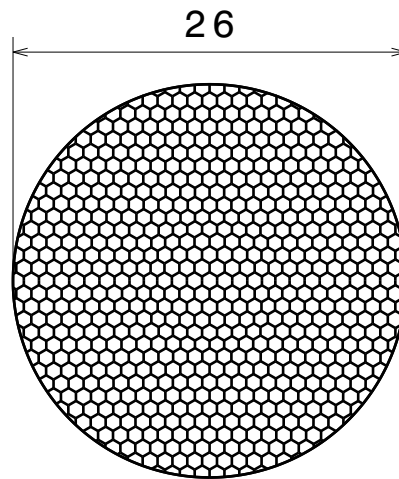


Front view

14.8
With tape

14.4

0.7



Top view

26

Part No.s:
 CA11998_EMILY-SS-WAS
 CA12000_EMILY-O-WAS
 CA12797_EMILY-O-WAS
 CA12799_EMILY-SS-WAS

Material: PMMA

This drawing is our property.
 It can't be reproduced
 or communicated without
 our written agreement.



L
T
F
F

e
e
i
i
N
n

d
h

DRAWING TITLE

Datasheet Emily-was Assembly

DRAWN BY

DATE

m

01.03.2011

CHECKED BY

DATE

h

h

01.03.2011

DESIGNED BY

DATE

hh

25.01.2011

SIZE

A4

DRAWING NUMBER

REV

1

SCALE

2:1

WEIGHT (g)

SHEET

1/1

D

A

4

4

3

3

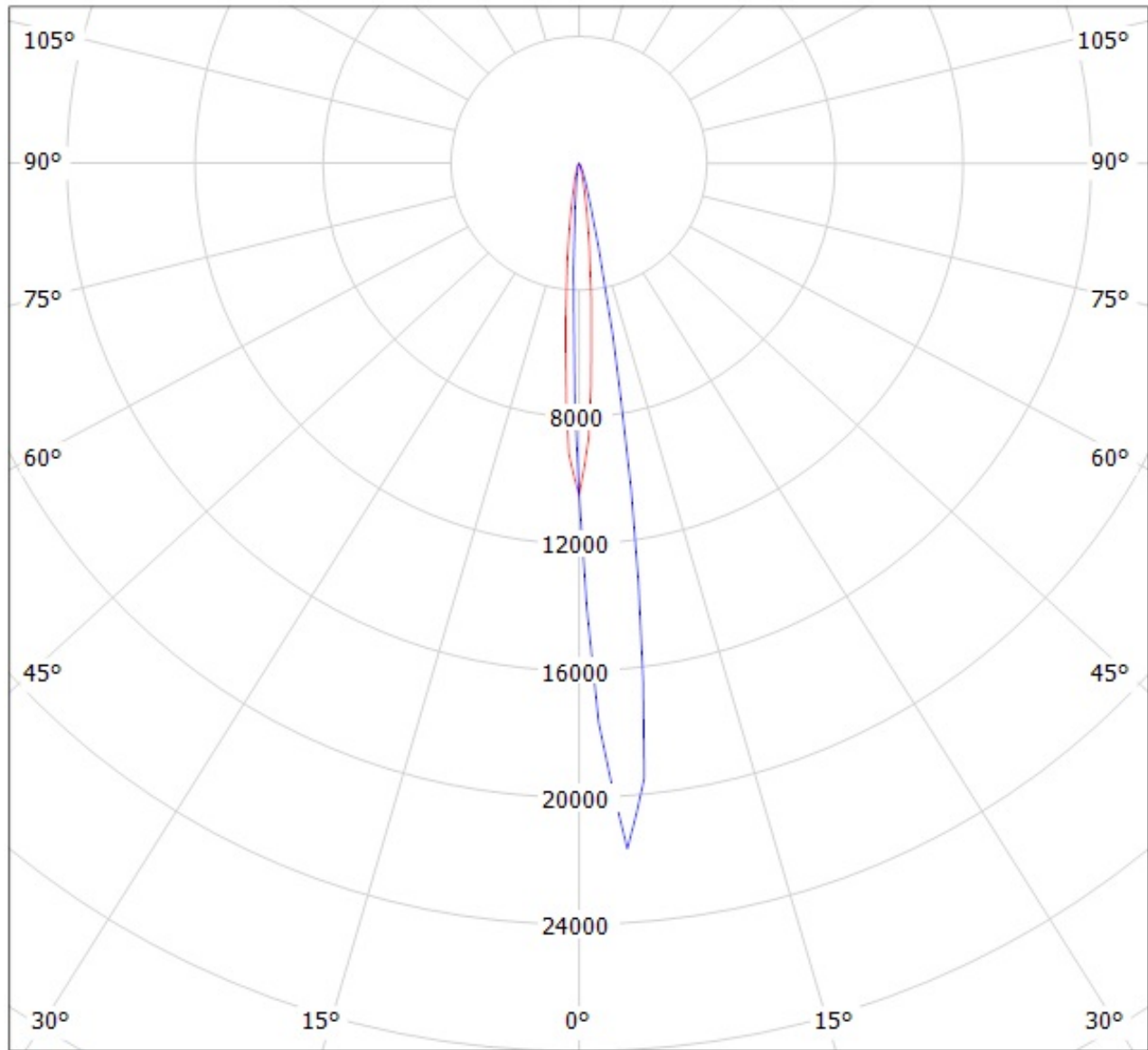
2

2

1

1

Luminaire: Ledil Oy CA11998_EMILY-SS-WAS (Oslon 150) Efficiency=88%
Lamps: 1 x Osram Oslon 150 deg white (95lm @ 250mA)

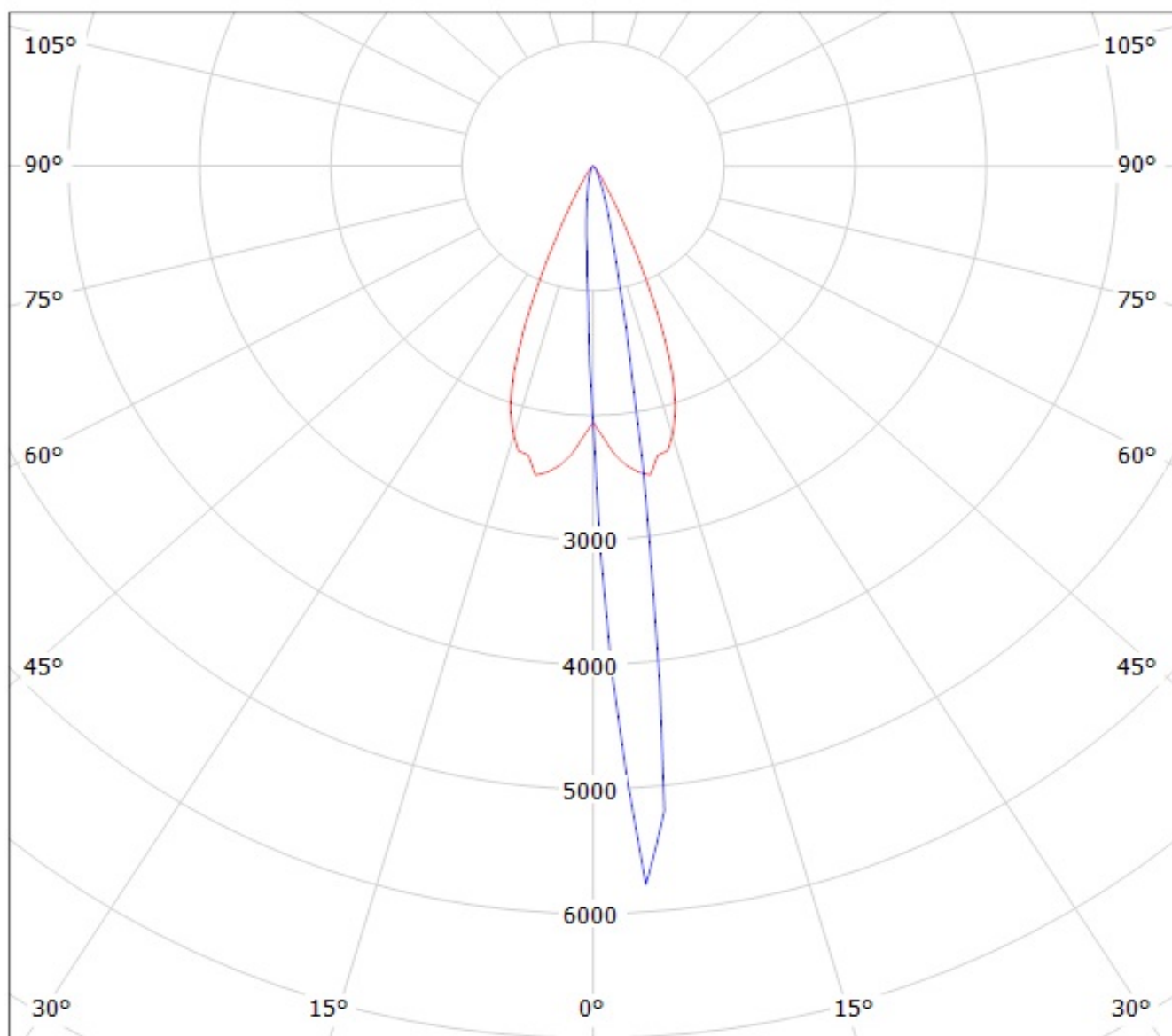


cd/klm

— C0 - C180

— C90 - C270

Luminaire: Ledil Oy CA12000_EMILY-O-WAS (Oslon 150□□) Efficiency=84%
Lamps: 1 x Osram Oslon 150□□ white (95lm @ 250mA)



cd/klm

— C0 - C180 — C90 - C270