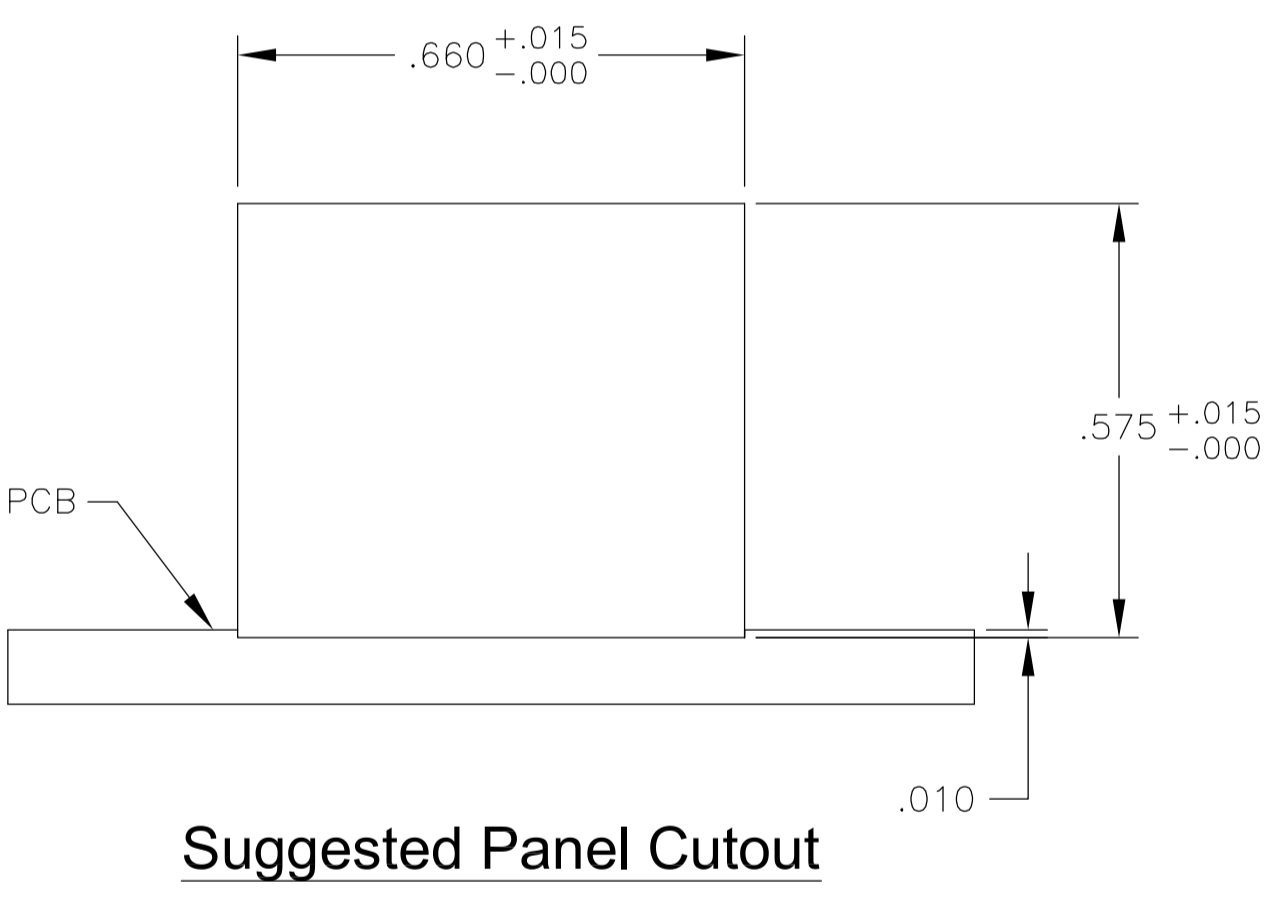
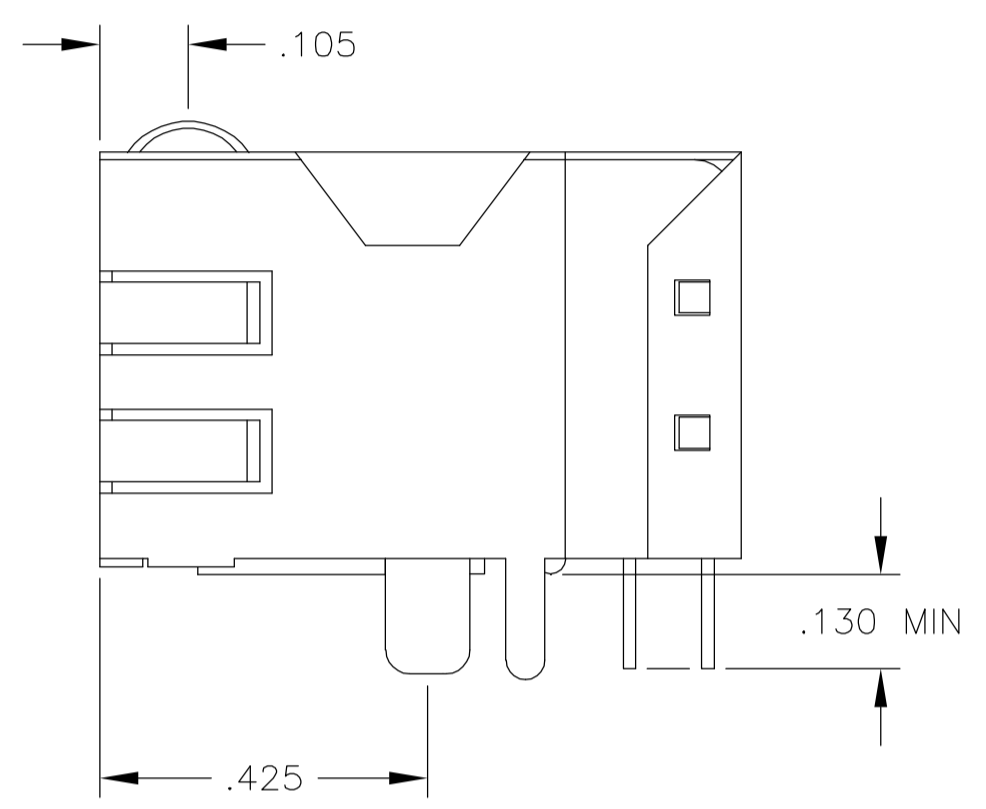
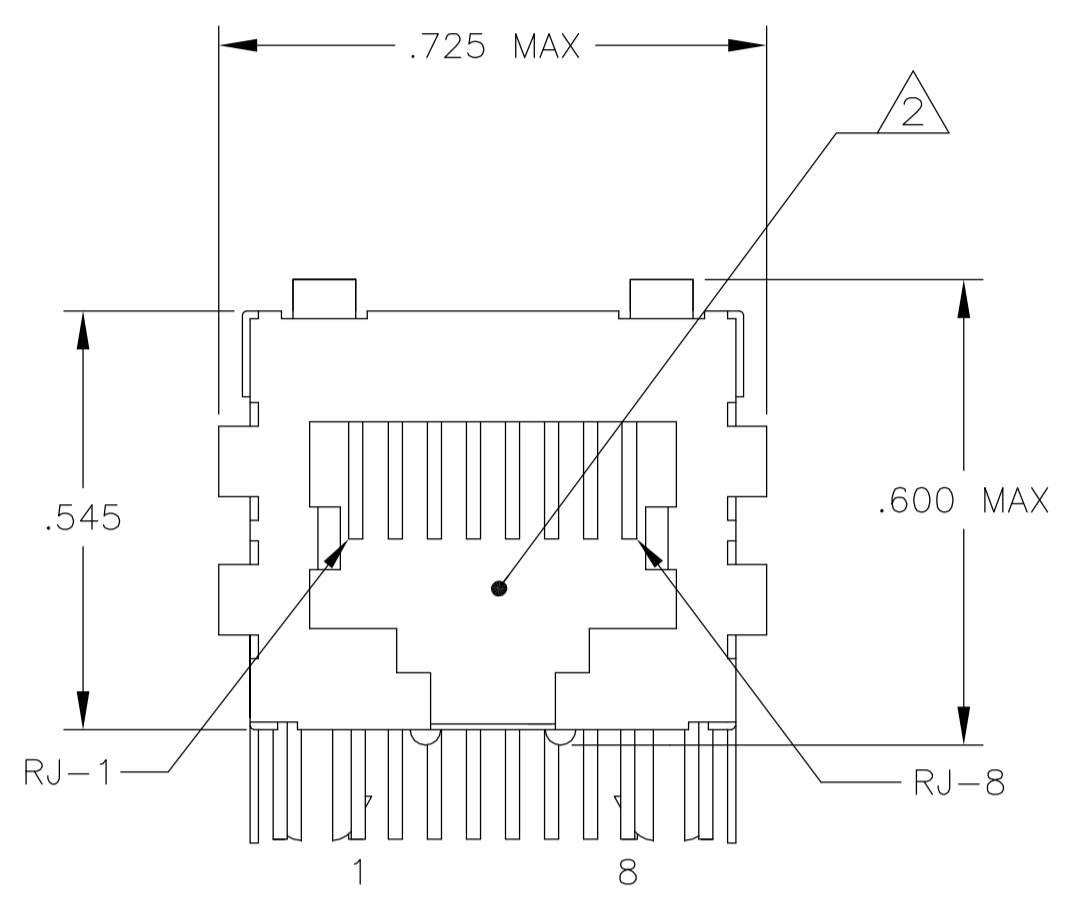
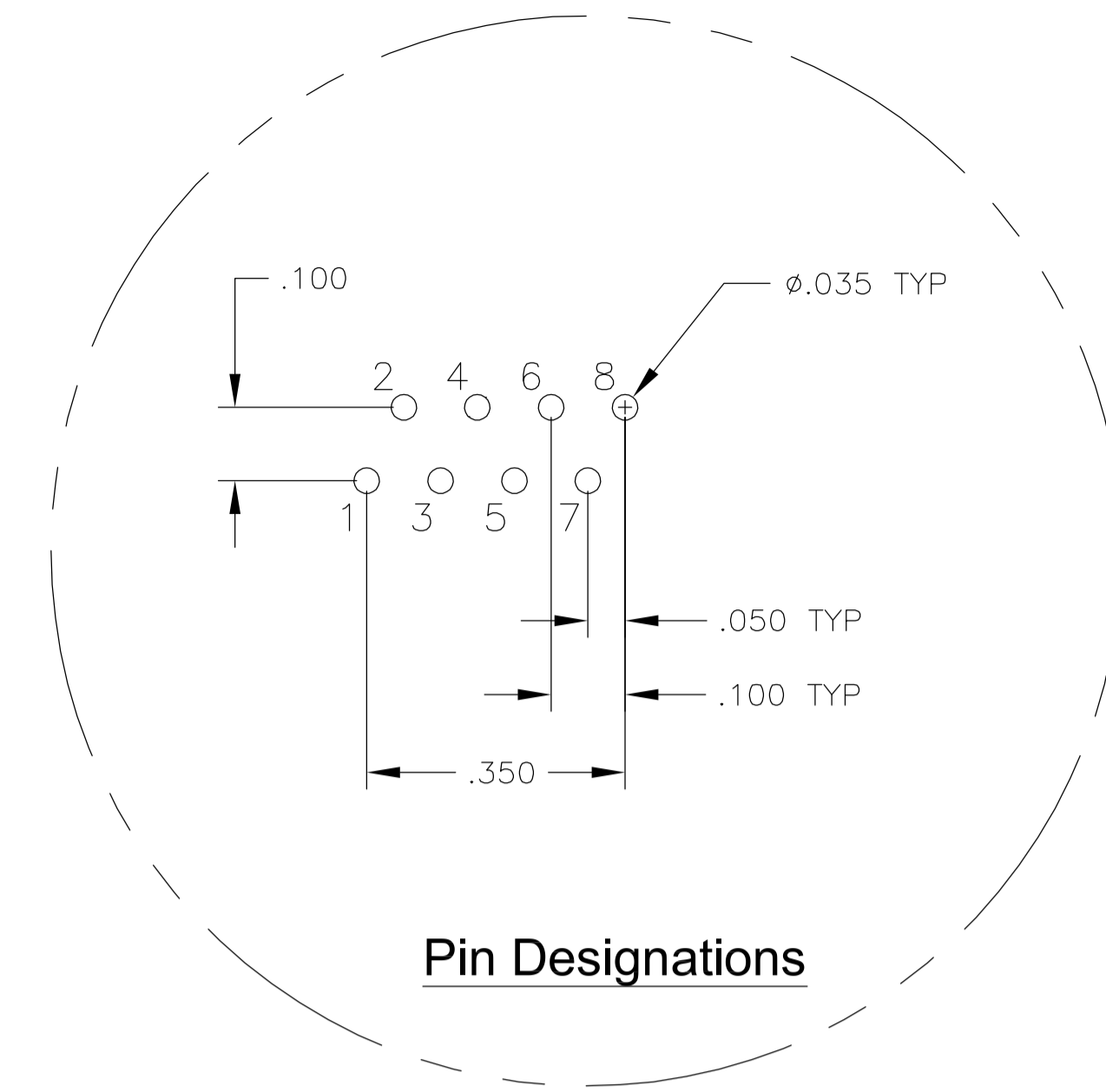
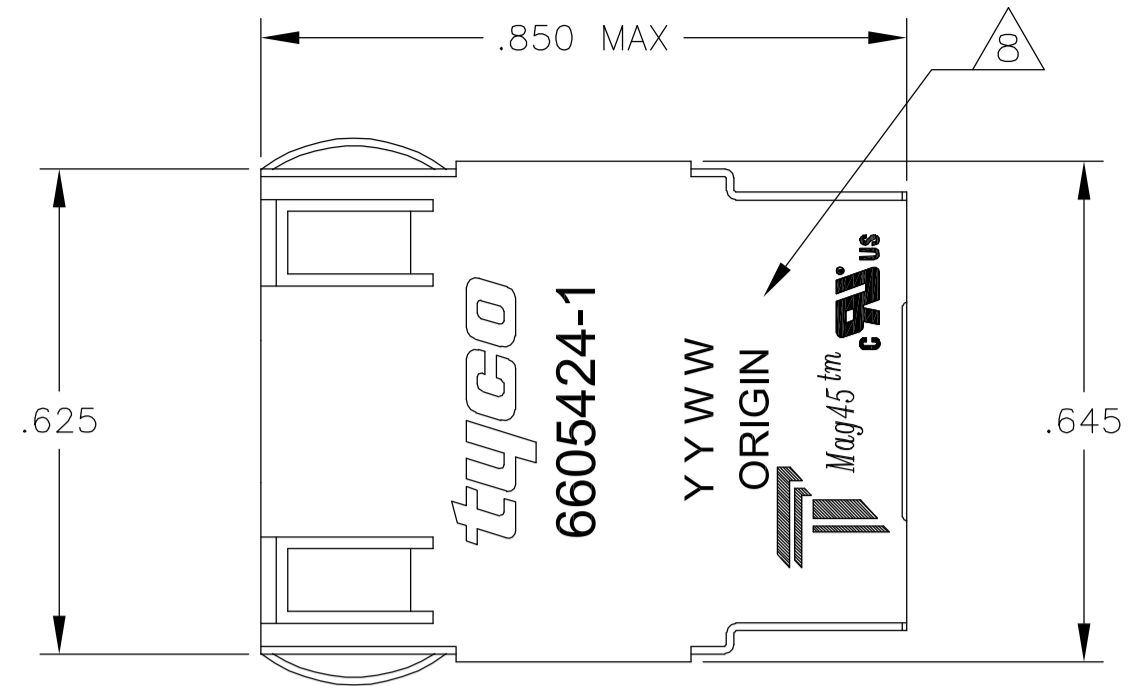


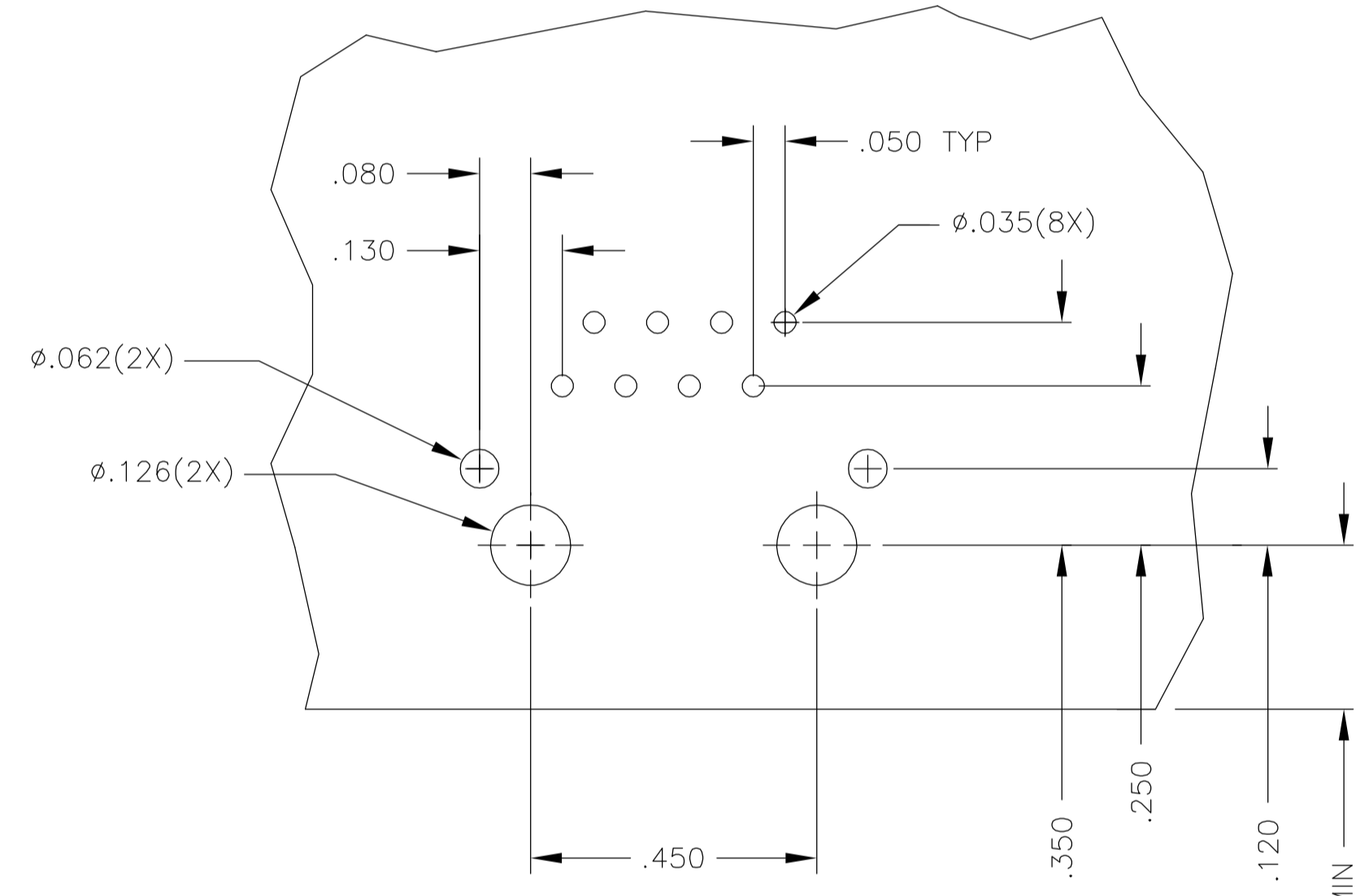
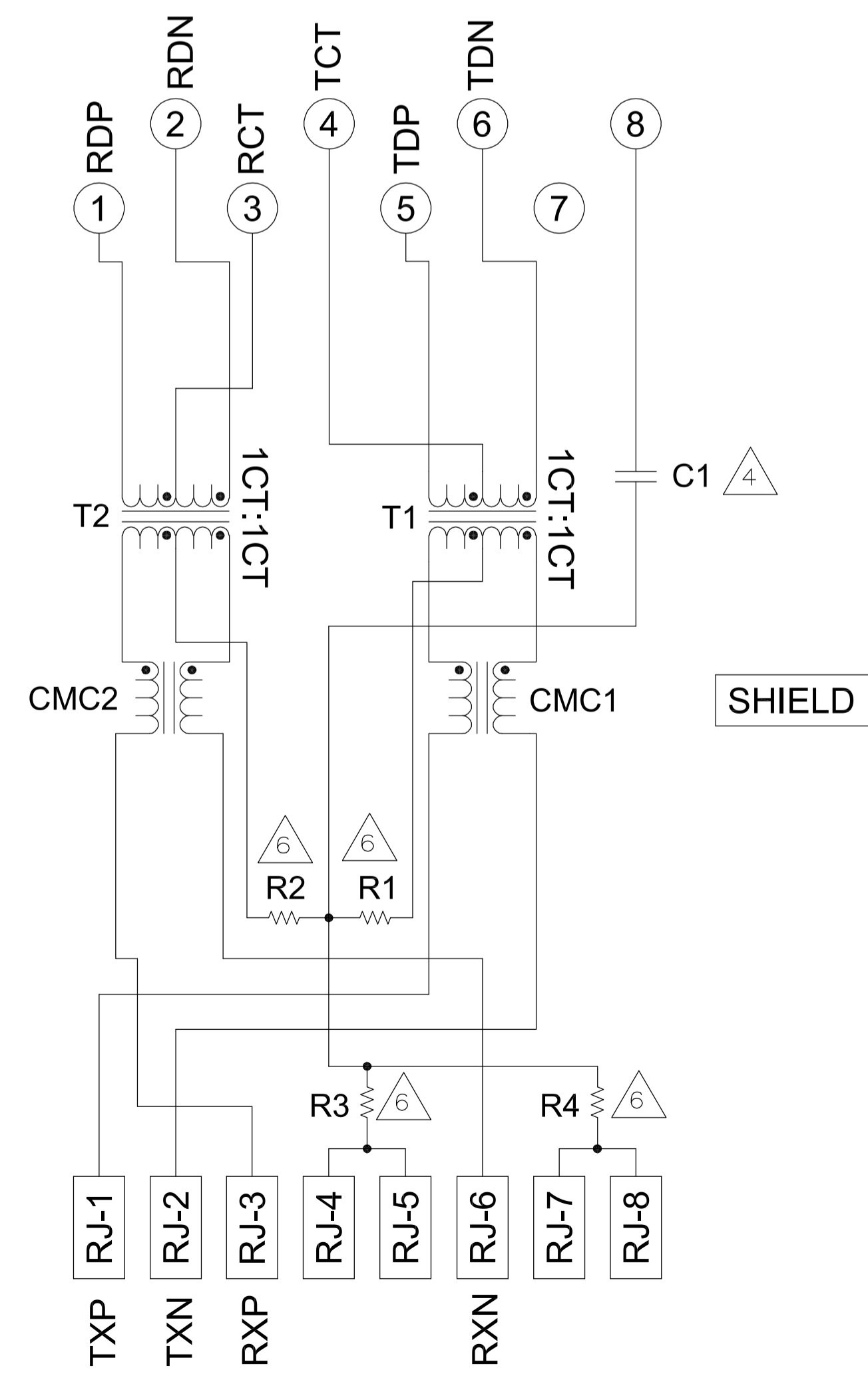
LOC		DIST		REVISIONS			
AA	22	P	LTR	DESCRIPTION	DATE	OWN	APVD
A	REV PER EC	OS13-0644-04			08MAR2005	GA	DD

MECHANICAL:



ELECTRICAL:

426 SERIES MAGNETIC CIRCUIT



Suggested PCB Layout (Component Side)

- 1 MATERIALS:
 HOUSING - THERMOPLASTIC PET POLYESTER FLAMMABILITY RATING UL 94V-0.
 SHIELD - .010" THICK, C26800 BRASS PREPLATED WITH 30μINCH MIN SEMI-BRIGHT NICKEL. SOLDER TABS POST DIPPED WITH 100μINCH MIN SAC SOLDER.
 MOD JACK CONTACTS - 0.0157 X 0.018" PHOSPHOR BRONZE, 50μINCH MIN OVERALL NICKEL UNDERPLATE WITH SELECT 50μINCH MIN HARD GOLD FINISH PLATE.
 SOLDER TAILS WITH 100μINCH MIN MATTE TIN AND/OR SAC SOLDER DIP.
- 2 RJ45 JACK CAVITY CONFORMS TO FCC RULES AND REGULATIONS PART 68, SUB PART F.
- 3 MAGNETICS
 -IMPEDANCE: 100 OHMS
 -TURNS RATIO (CHIP:CABLE): TX = 1:1, RX = 1:1
 -OPEN CIRCUIT INDUCTANCE (OCL): 350μH MIN @100kHz, 0.1VRMS, 8mADC BIAS FROM 0°C TO 70°C, TX AND RX
 -PERFORMANCE @ 25°C:
 INSERTION LOSS (IL): 1.1dB MAX FROM 0.5MHz TO 100MHz
 RETURN LOSS (RL): 18dB MIN FROM 0.5MHz TO 30MHz
 18-20LOG(f/30)dB MIN FROM 30.1MHz TO 60MHz
 12dB MIN FROM 60.1MHz TO 80MHz
 CROSSTALK ATTENUATION: 35dB MIN FROM 0.5MHz TO 40MHz
 33-20*LOG(f/50)dB MIN FROM 40.1MHz TO 100MHz
 COMMON MODE REJECTION RATIO (CMRR): 30dB MIN FROM 0.5MHz TO 100MHz
 -ISOLATION VOLTAGE: COMPLIES WITH IEEE802.3 2002, PARA 23.5.1.1, ITEM a or b.
- 4 C1 IS A 1000 pF, 2KV DECOUPLING CAPACITOR.
- 5. OPERATING TEMPERATURE: FROM 0° TO +70°C
- 6 R1-R4 = 75 OHMS, 1/16 W, 5% RESISTORS.
- 7 INDICATED CONNECTIONS ARE FOR NIC CONFIGURATION. THE MAGNETICS ARE SYMMETRICAL, AND SUPPORTS AUTO-MDI/MDIX.
- 8 TRADEMARK, PART NUMBER, DATE CODE, COUNTRY OF ORIGIN AND AGENCY APPROVAL MARKING IN APPROXIMATE LOCATION SHOWN.

6605424-1
 PART NUMBER

THIS DRAWING IS A CONTROLLED DOCUMENT.		DIN G ATTADIA - 08MAR2005	Tyco Electronics Corporation Harrisburg, PA 17105-3608
DIMENSIONS: INCHES		CHK D FAROLE 08MAR2005	
TOLERANCES UNLESS OTHERWISE SPECIFIED:		APVD D FAROLE 08MAR2005	NAME
0 PLC ± -	1 PLC ± -	PRODUCT SPEC	1X1 MAG45(TM), MODULAR JACK, 4N2 SCHEMATIC, 426 SERIES CIRCUIT, SHIELDED, DECOUPLING CAPACITOR, NO LEDS
2 PLC ± .010	3 PLC ± .005	APPLICATION SPEC	SIZE
4 PLC ± -	ANGLES ± -	WEIGHT	SCALE
MATERIAL 1	FINISH 1	CUSTOMER DRAWING	RESTRICTED TO
		SIZE	DATE CODE
		WEIGHT	DRAWING NO
		SCALE	6605424
		SHEET	REV
		1 OF 1	A