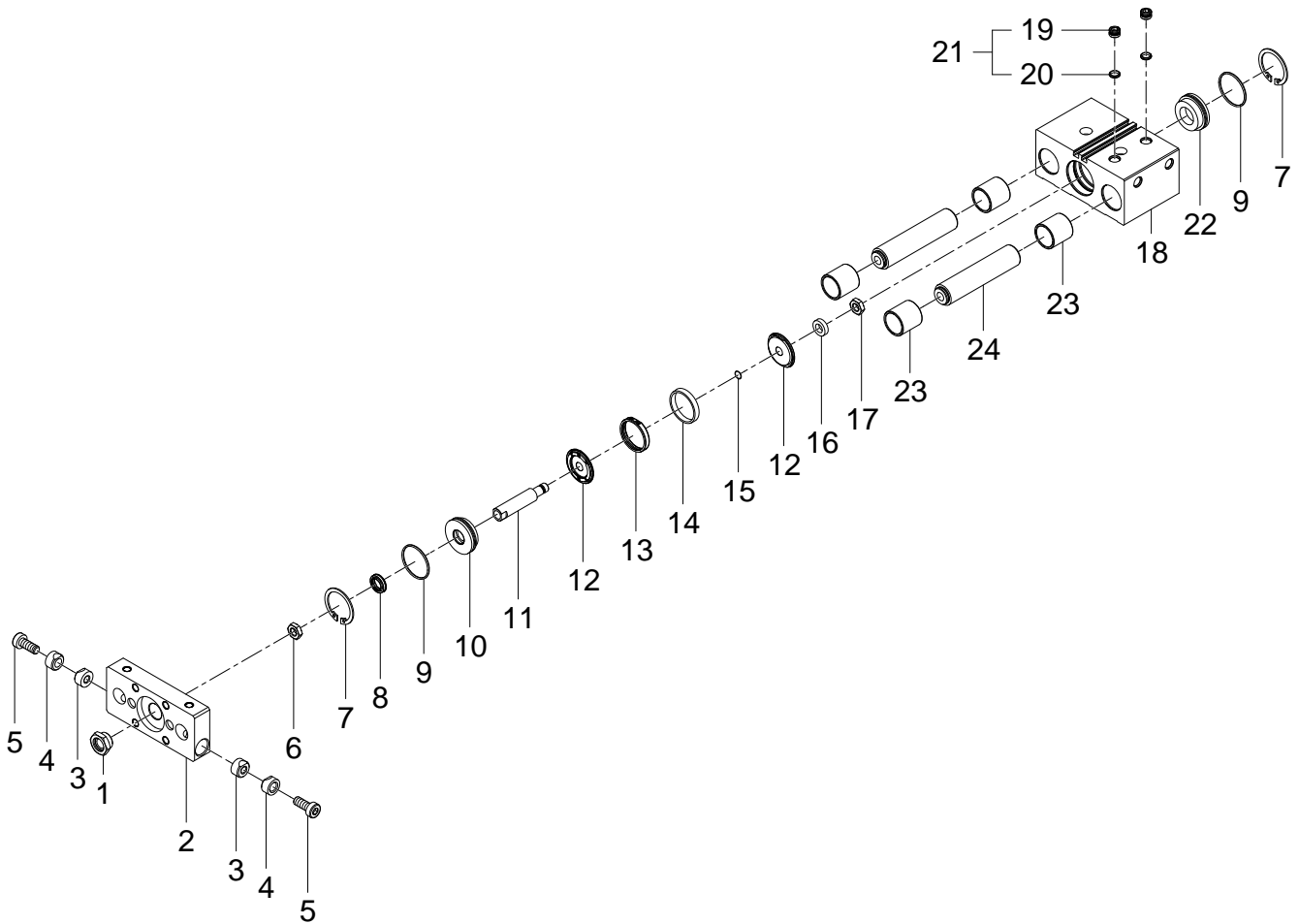


170879 DFM-63-50-P-A-GF Guided drive - Series till 04-2015



170879 DFM-63-50-P-A-GF Guided drive - Series till 04-2015

| Pos. | Part no. | Type | Note | Qty. | Unit |
|------|----------|--|---|------|------|
| A | 715820 | DFM- 63-PA AB U9 Set of wearing parts | Spare parts: 8, 9, 12, 13, 15, 20 Replacing the wearing parts | 1 | PC |
| 1 | 377740 | M12X1,25 Collar nut | Use locking compound 8181256 CYBERBOND TM44 Tightening torque 37.8 Nm / 27.9 lbf ft | 1 | PC |
| 2 | 671949 | DFM-63-P-A End plate | | 1 | PC |
| 3 | 368225 | M 8 Clamping piece | | 2 | PC |
| 4 | 368224 | M 8 Clamping piece | | 2 | PC |
| 5 | 354152 | DIN 6912-M8X20-8.8 Socket head screw | Use locking compound 8181256 CYBERBOND TM44 Tightening torque 24 Nm / 17.7 lbf ft | 2 | PC |
| 6 | 387996 | M12X1,25-1.0715 Hex nut | Use locking compound 8181256 CYBERBOND TM44 Tightening torque 37.8 Nm / 27.9 lbf ft | 1 | PC |
| 7 | 401262 | DIN 472-65X2,5 Retaining ring | | 2 | PC |
| 8 | | WIFC1-16X20,5X4-TPE-U Wiper seal | Not available separately, see position A Lubricate with 684474 LUB-KC1 during assembly | 1 | PC |
| 9 | | B-62X1,5-N-NBR70 O-ring ISO3601 | Not available separately, see position A Lubricate with 684474 LUB-KC1 during assembly | 2 | PC |
| 10 | 713448 | DFM-63- -P-A Bearing cap | | 1 | PC |
| 11 | 693057 | KS D17 16 S0065 Piston rod | | 1 | PC |
| 12 | | BA-K01D-063 Piston module | Not available separately, see position A Lubricate with 684474 LUB-KC1 during assembly | 2 | PC |
| 13 | | BA-K01F-063 Guiding band | Not available separately, see position A | 1 | PC |
| 14 | 4760181 | 59,9X47,9X4,5BA-K01M-063 Ring magnet | | 1 | PC |
| 15 | | B-11,5X1,5-N-NBR75 O-ring ISO3601 | Not available separately, see position A Lubricate with 684474 LUB-KC1 during assembly | 1 | PC |
| 16 | 356376 | 13X20X4-1.0715 Ring | | 1 | PC |
| 17 | 203968 | DIN 439-B-M12X1,25-04 Hex nut | Use locking compound 8181256 CYBERBOND TM44 Tightening torque 23.3 Nm / 17.2 lbf ft | 1 | PC |
| 18 | | DFM- 63- 50PA Housing | Not available Lubricate with 684474 LUB-KC1 during assembly | 1 | PC |
| 19 | | G1/4A Plug screw | Not available separately, see position 21 | 1 | PC |
| 20 | | 9,4X12,2X3,6 Sealing ring | Not available separately, see position 21 | 1 | PC |
| 21 | 116516 | G1/4 Plug screw | | 2 | PC |
| 22 | | DFM-63- -P-A End cap | Not available | 1 | PC |
| 23 | | DFM-50 Plain bearing | Not available | 4 | PC |
| 24 | 368200 | DFM-50/63-50-P-A-GF Guide rod | | 2 | PC |