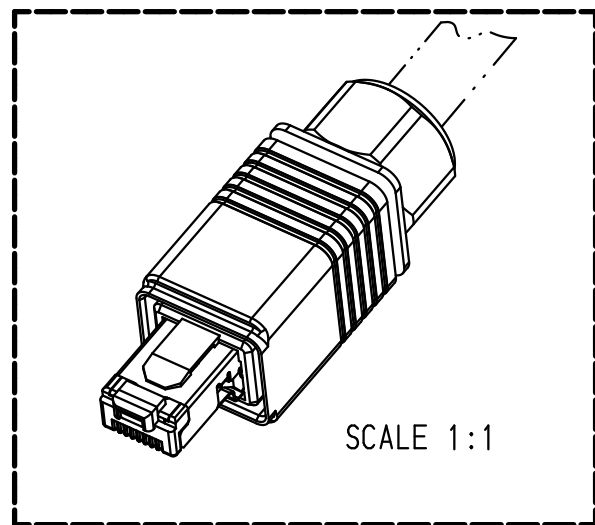
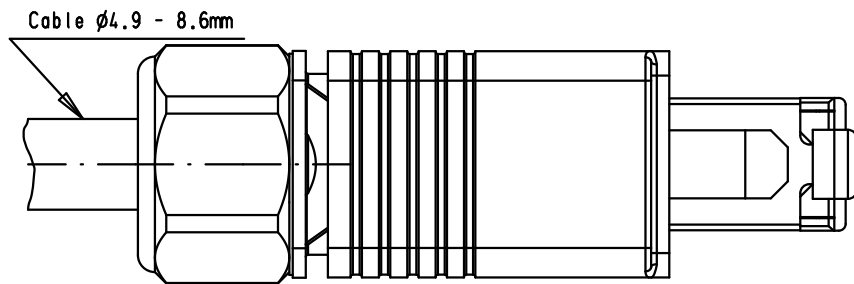


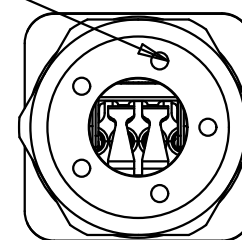
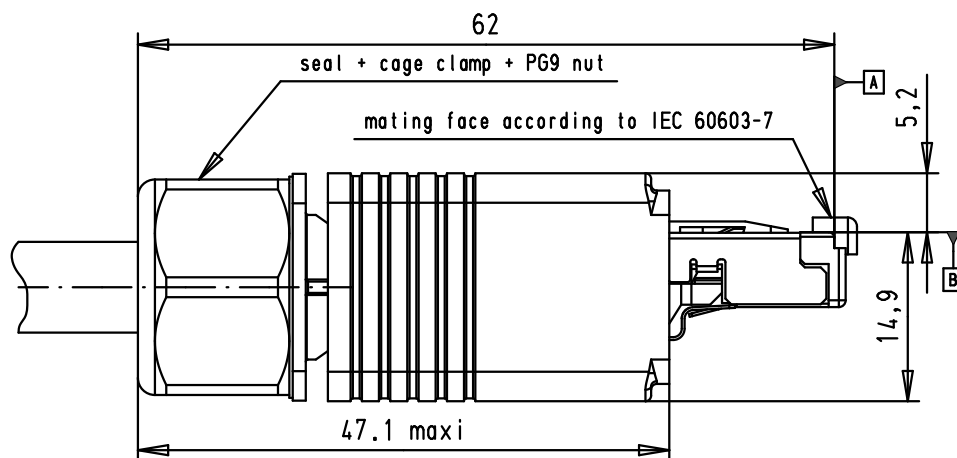
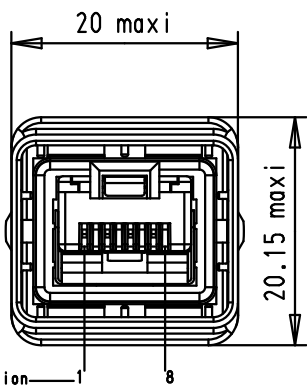
1 2 3 4 5 6

A



On request: color coding ring for PG9 nut
TB 09 45 840 001X

B



C

-For solid and stranded conductors
AWG 27 up to AWG 22
-Max. wire diameter 1.5mm
-Cable diameter 4.9 - 8.6mm
-Degree of protection IP65/IP67
-Cat.6 performance class EA
suitable for 1/10 Gigabit Ethernet
-Temperature range -40°C up to +70°C
-750 mating cycles

Data contact plating: Au 1.27 μm (50 μm) over nickel

D

			Det.	Name	 All Dim. in mm Orig. Size DIN A 4	HARTING PushPull RJ45 connector Plastic version	Maßstab/ Scale 1.5:1
		Detail.	20/10/09	AB			
		Insp.					
			Stand.				
36080	20/10/09	AB	HARTING EURL F-95972 Paris			TB 09 45 145 1560	Blatt/ Page 1 / 1
Mod.	Det.	Name					