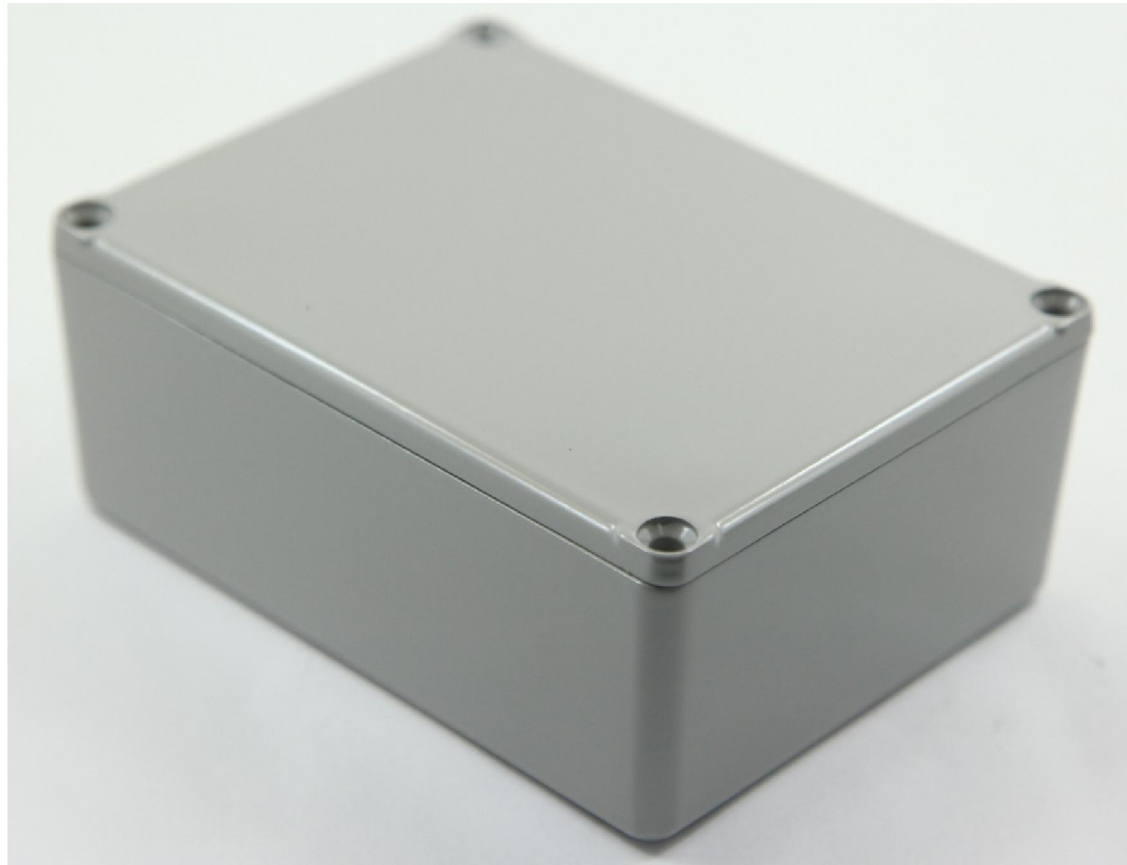
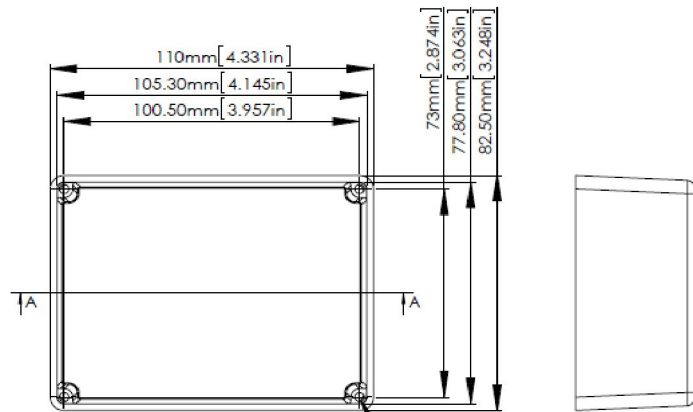


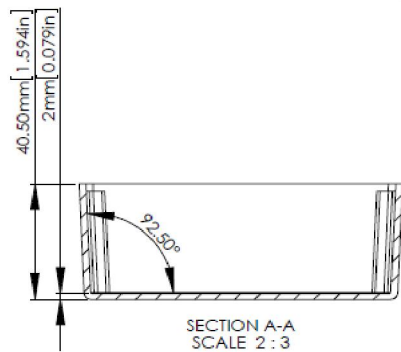


RS Stock No.1465310

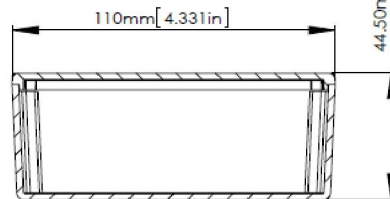




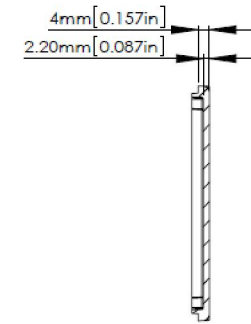
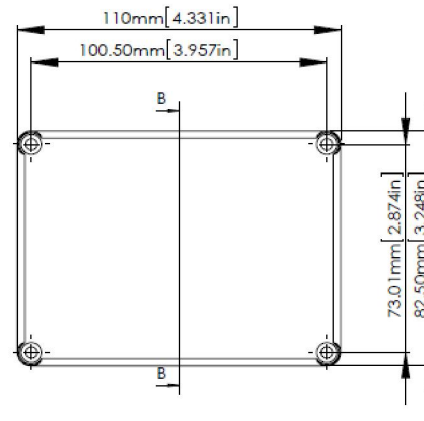
FOUR (4) #6-32X5/8"
SELF-TAPPING SCREWS.



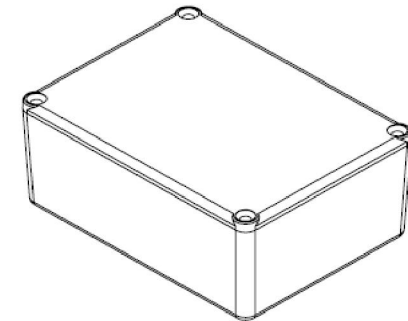
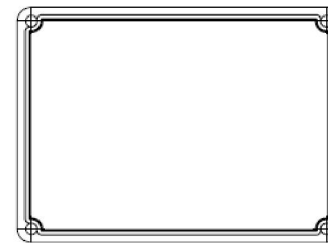
SECTION A-A
SCALE 2 : 3



ASSEMBLY



SECTION B-B
SCALE 2 : 3



According to ISO 2768-m

| Measuring DIM=L | Tolerances |
|--------------------|------------|
| 0.5<L<=3.0mm | ±0.1mm |
| 3.0<L<=6.0 mm | ±0.1mm |
| 6.0<L<=30.0 mm | ±0.2mm |
| 30.0<L<=120.0 mm | ±0.3mm |
| 120.0<L<=400.0 mm | ±0.5mm |
| 400.0<L<=1000.0 mm | ±0.8mm |