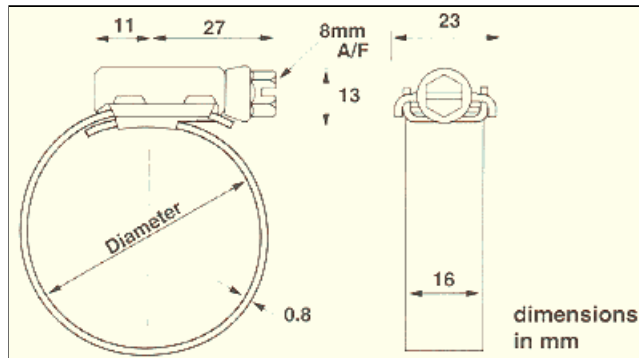


### Technical Specification



### Material Specification

Band BS/AISI 304 - DIN 1.4301  
Tensile strength = 1150 N/mm<sup>2</sup> Approx (75 tons /in<sup>2</sup>)

Housing BS/AISI 304-DIN 1.4301

Screw BS/AISI 410-DIN 1.4006  
Heat treated to 1220 N/mm<sup>2</sup> Approx (80 tons /in<sup>2</sup>)  
(or BS/AISI 304 - DIN 1.4301 to special order)

Recommended Setting Torques  
BS/AISI 410 heat treated screw - 15Nm (130 lb.in)  
BS/AISI 304 screw - 12Nm (106 lb.in)



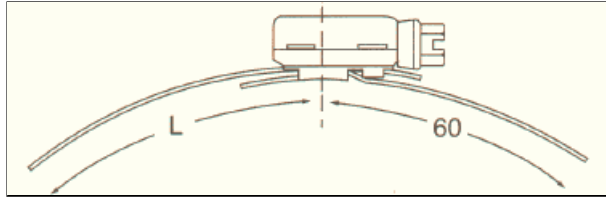
### HI-TORQUE BAND EDGES



HI-TORQUE Band Edges      Typical Hose Clip with turned up edges

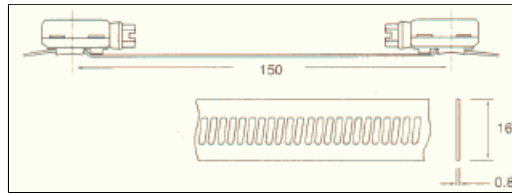
All HI-TORQUE STAINLESS hose clips have fully rounded edges to give the best possible protection to the hose

### HI-TORQUE STRAPS



Strap Size	Linear Adjustment	Dia Adj	Length L
0	62	20	100
1	94	30	136
2	125	40	164

### MULTI-TORQUE



MULTI-TORQUE  
Banding is supplied  
in 1m, 10m and 30m  
lengths. Other  
lengths of connector  
are available to  
special order

### HI-TORQUE STANDARD RANGE

Size	Dia (mm)	Dia (ins)	Box Quantity
27	20-27	3/4 - 1.1/8	100
30	20-30	3/4 - 1.1/4	100
35	20-35	3/4 - 1.3/8	100
40	25-40	1 - 1.5/8	100
(45)	25-45	1 - 1.3/4	100
50	30-50	1.1/4 - 2	100
60	40-60	1.5/8 - 2.3/8	100
(65)	45-65	1.3/4 - 2.1/2	100
70	50-70	2 - 2.3/4	100
80	60-80	2.3/8 - 3.1/8	100
90	70-90	2.3/4 - 3.1/2	100
(95)	75-95	3 - 3.3/4	100
100	80-100	3.1/8 - 4	100
120	90-120	3.1/2 - 4.3/4	50
140	110-140	4.3/8 - 5.1/2	50
160	130-160	5.1/8 - 6.1/4	50
180	150-180	5.7/8 - 7	50
200	170-200	6.3/4 - 7.7/8	25
220	190-220	7.1/2 - 8.5/8	25
240	210-240	8.1/4 - 9.1/2	25
260	230-260	9 - 10.1/4	25
280	250-280	9.7/8 - 11	25
300	270-300	10.5/8 - 11.3/4	25
320	290-320	11.3/8 - 12.1/2	25
340	310-340	12.1/4 - 13.3/8	25
360	330-360	13 - 14.1/8	25
380	350-380	13.3/4 - 15	25
400	370-400	14.1/2 - 15.3/4	25
420	390-420	15.3/8 - 16.1/2	25
440	410-440	16.1/8 - 17.1/4	25
460	430-460	17 - 18.1/8	25
480	450-480	17.3/4 - 18.7/8	25
500	470-500	18.1/2 - 19.5/8	25