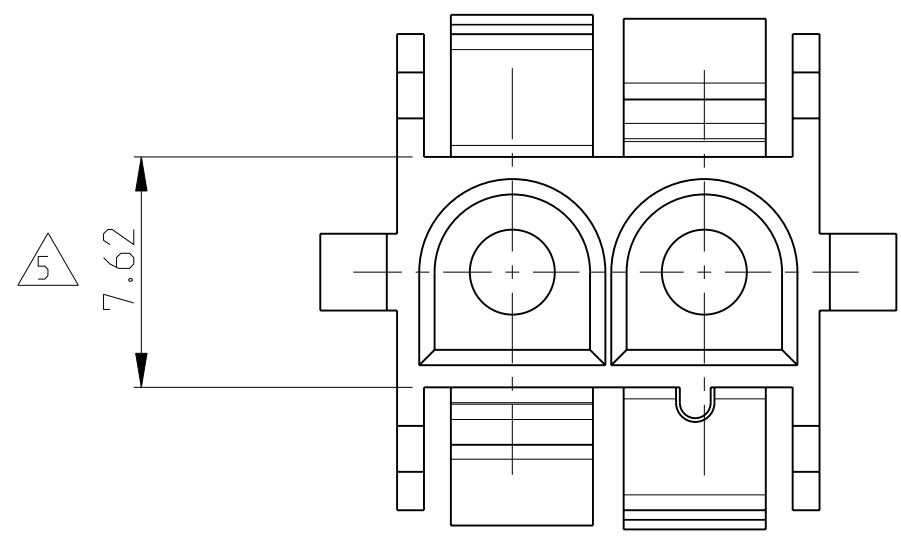
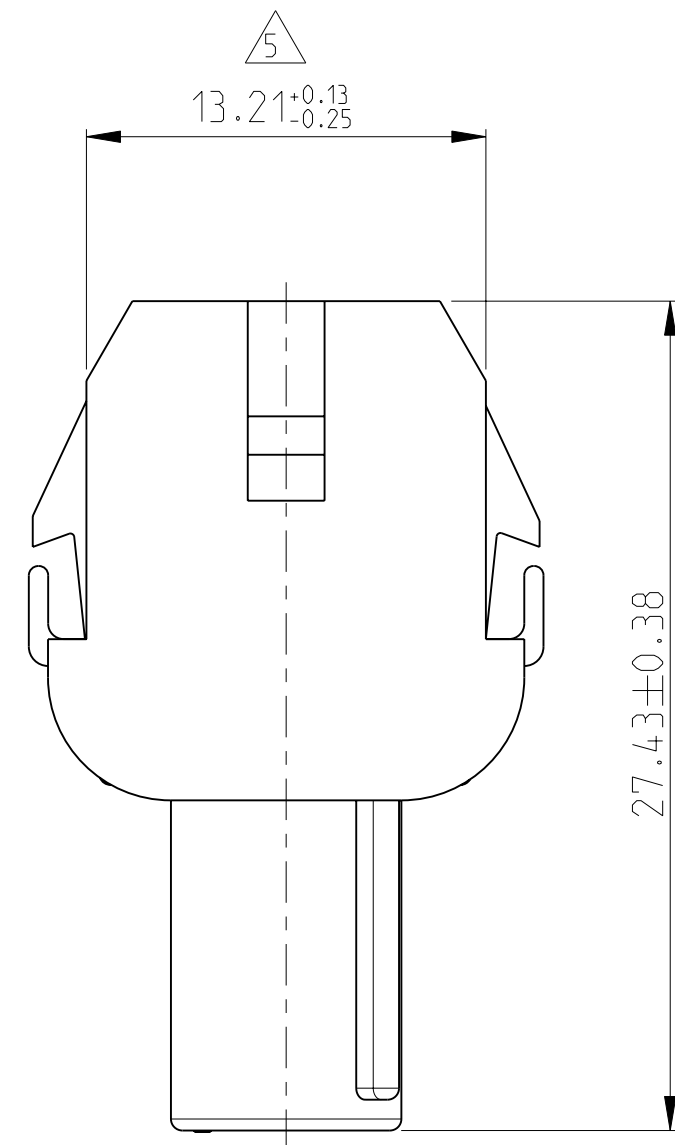
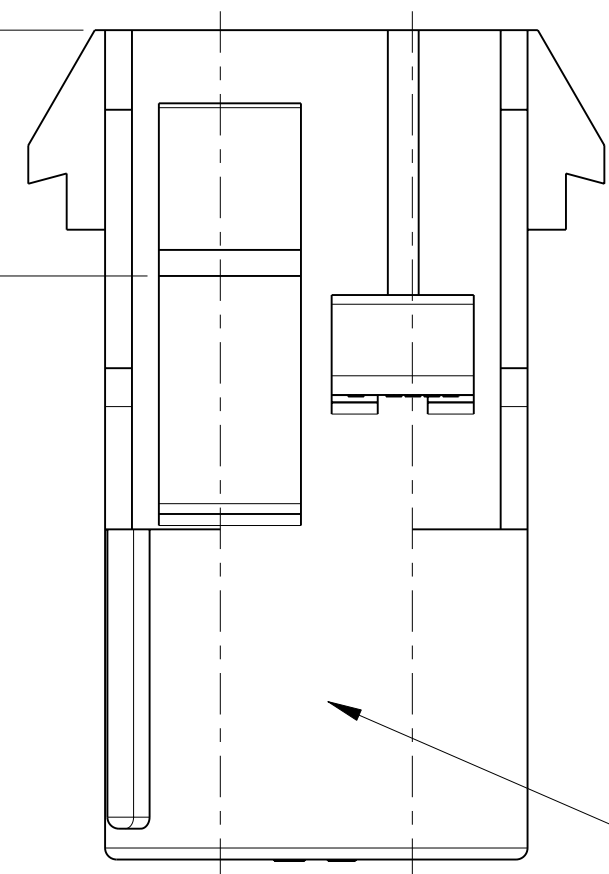
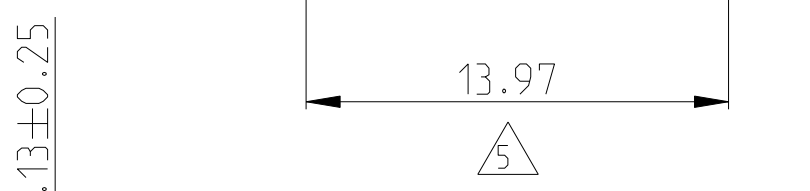
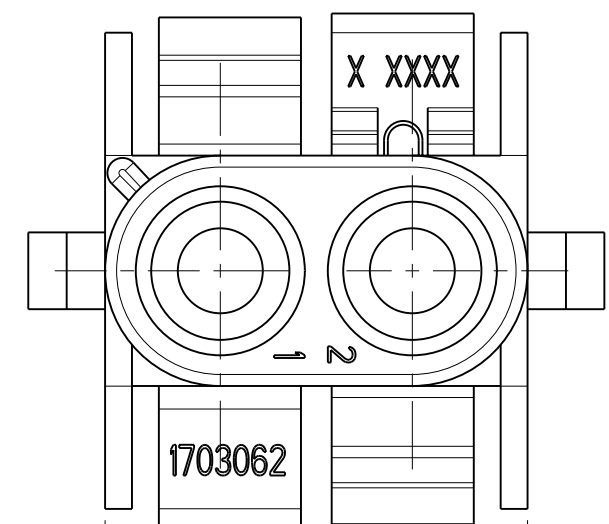
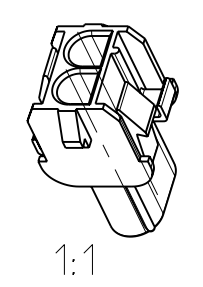
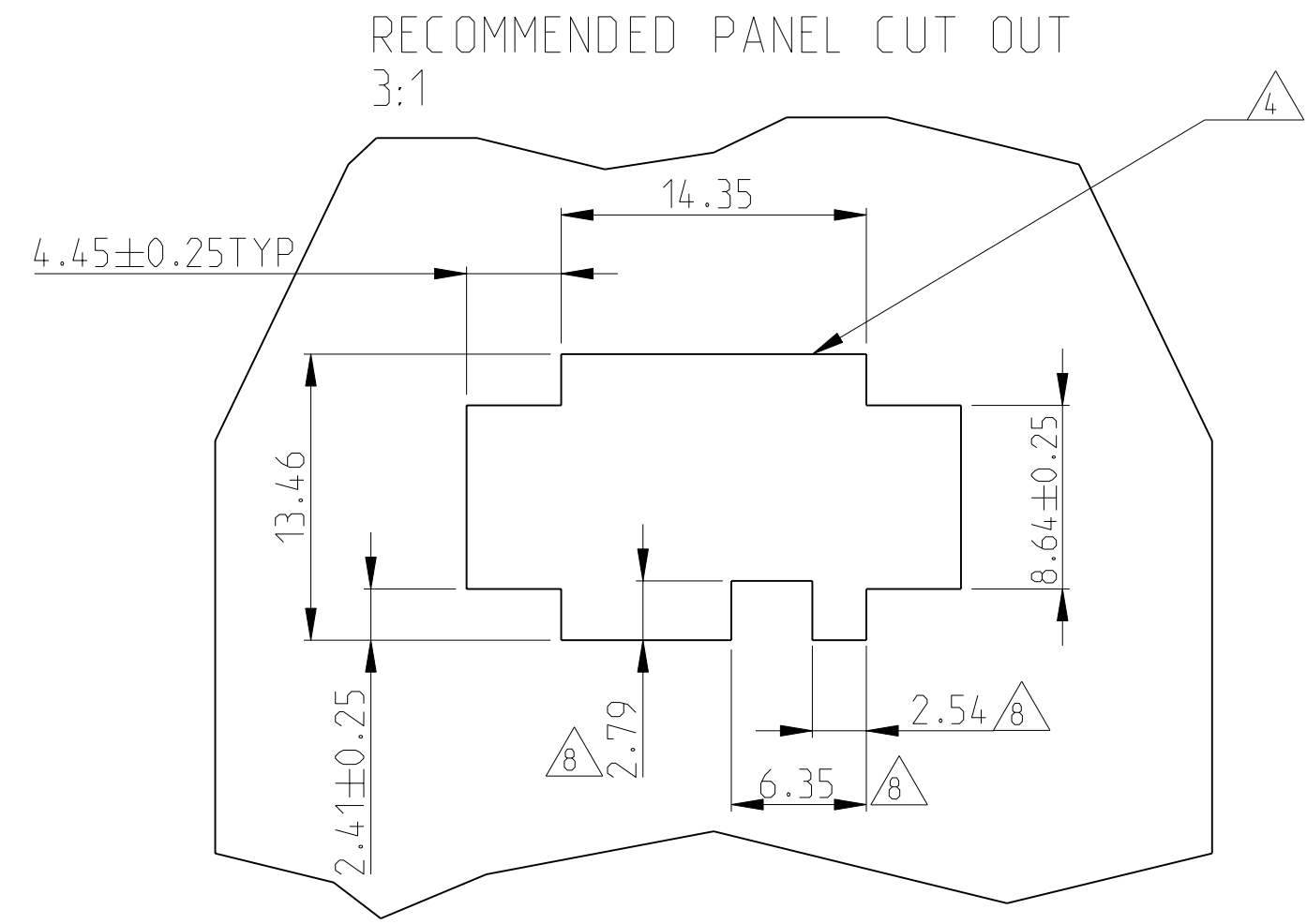


THIS DRAWING IS UNPUBLISHED. RELEASED FOR PUBLICATION 2003  
 © COPYRIGHT 2003 BY TYCO ELECTRONICS CORPORATION. ALL RIGHTS RESERVED.

LOC	DIST	REVISIONS			
P	LTR	DESCRIPTION	DATE	DWN	APVD
A	2	NEW DRAWING CREATED	16APR2004	MAH.	ZITZ
B		ADDED DASHES: -2/-3/-4	17OCT2008	JS	PEG



- 1 MATES WITH APPROPRIATE UNIVERSAL MATE-N-LOK PLUG
- 2 RECOMMENDED PANEL THICKNESS 0.76 - 2.29 mm
- 3 PANEL MUST BE PUNCHED SO THAT THE HOUSING ENTERS THE PANEL IN THE SAME DIRECTION AS THE PUNCH
- △ 4 CIRCUIT NUMBER 1 LOCATION
- △ 5 DIMENSION INDICATED AS MOLDED. ADDITIONAL GROWTH DUE TO SUBSEQUENT MOISTURE ABSORPTION MAY OCCUR
- △ 6 UNDERWRITERS RECOGNIZED COMPONENT LOGO AND CSA CERTIFICATION LOGO TO BE LOCATED ONCE EACH ON SIDE OF HOUSING
- △ 7 MATERIAL CORRESPONDING TO THE REQUIREMENTS OF IEC 60335 (INCL. GLOW WIRE TEST 750°C, WITHOUT FLAME)
- △ 8 OPTIONAL FOR KEYING HOUSING IN PANEL



PN	REV	MATERIAL	COLOUR
1703062-4	A	PA6 UL94 V2	BLACK
1703062-3	A	PA6 UL94 V2	RED
1703062-2	A	PA6 UL94 V2	BLUE
1703062-1	A	PA6 UL94 V2	NATURAL

THIS DRAWING IS A CONTROLLED DOCUMENT FOR TYCO ELECTRONICS CORPORATION. IT IS SUBJECT TO CHANGE AND THE CONTROLLING ENGINEERING ORGANIZATION SHOULD BE CONTACTED FOR THE LATEST REVISION.		DWN MAHNKE, B. 16APR2004	Tyco Electronics AMP España, S.A. Barcelona, Spain.	
DIMENSIONS: mm		CHK ZITZ, A. 26APR2004	NAME CAP 2 CIRCUIT UNIVERSAL MATE-N-LOK	
TOLERANCES UNLESS OTHERWISE SPECIFIED:		APVD BLEICHER, M. 27APR2004	SIZE CAGE CODE DRAWING NO RESTRICTED TO	
0 PLC	±	PRODUCT SPEC	-	
1 PLC	±	APPLICATION SPEC	-	
2 PLC	±0.13	WEIGHT	2.55 g	
3 PLC	±	MATERIAL	PA 6	
4 PLC	±	CUSTOMER DRAWING	-	
ANGLES	±°	SCALE	4:1	
FINISH		SHEET	1 OF 1	
		REV	B	