



OUTPUT INTERFACE TERMINAL-TYPE OPTOCOUPLER
RELAY 1NO (TRANSISTOR) INPUT DC 24V OUTPUT AC
24 TO 264V

General technical details:

type of voltage		DC
Control supply voltage		
• for DC / rated value		
• minimum	V	24
• maximum	V	24
Number of NC contacts / for auxiliary contacts		0
Number of NO contacts / for auxiliary contacts		1
Number of changeover contacts / for auxiliary contacts		0
Switching behaviour		monostable
Item designation / according to DIN 40719 extendable after IEC 204-2 / according to IEC 750		K
Item designation / according to DIN EN 61346-2		K

Mechanical design:




Design of the electrical connection		screw-type terminals
Design of the electrical connection / jumper socket		No
Design of the relay operating mechanism		poled
Design of the switching function		NO contact
• guided		No
Product component / jumper socket		No

Width	mm	11.5
Height	mm	60
Depth	mm	62

Ambient conditions:

Protection class IP		IP20
Ambient temperature • during operating	°C	-25 ... +60

Certificates/approvals:

General Product Approval			Test Certificates	other	
 CCC	 CSA	 GOST	Special Test Certificate	Declaration of Conformity	other

Further information:

Information- and Downloadcenter (Catalogs, Brochures,...)

<http://www.siemens.com/industrial-controls/catalogs>

Industry Mall (Online ordering system)

<http://www.siemens.com/industrial-controls/mall>

CAX-Online-Generator

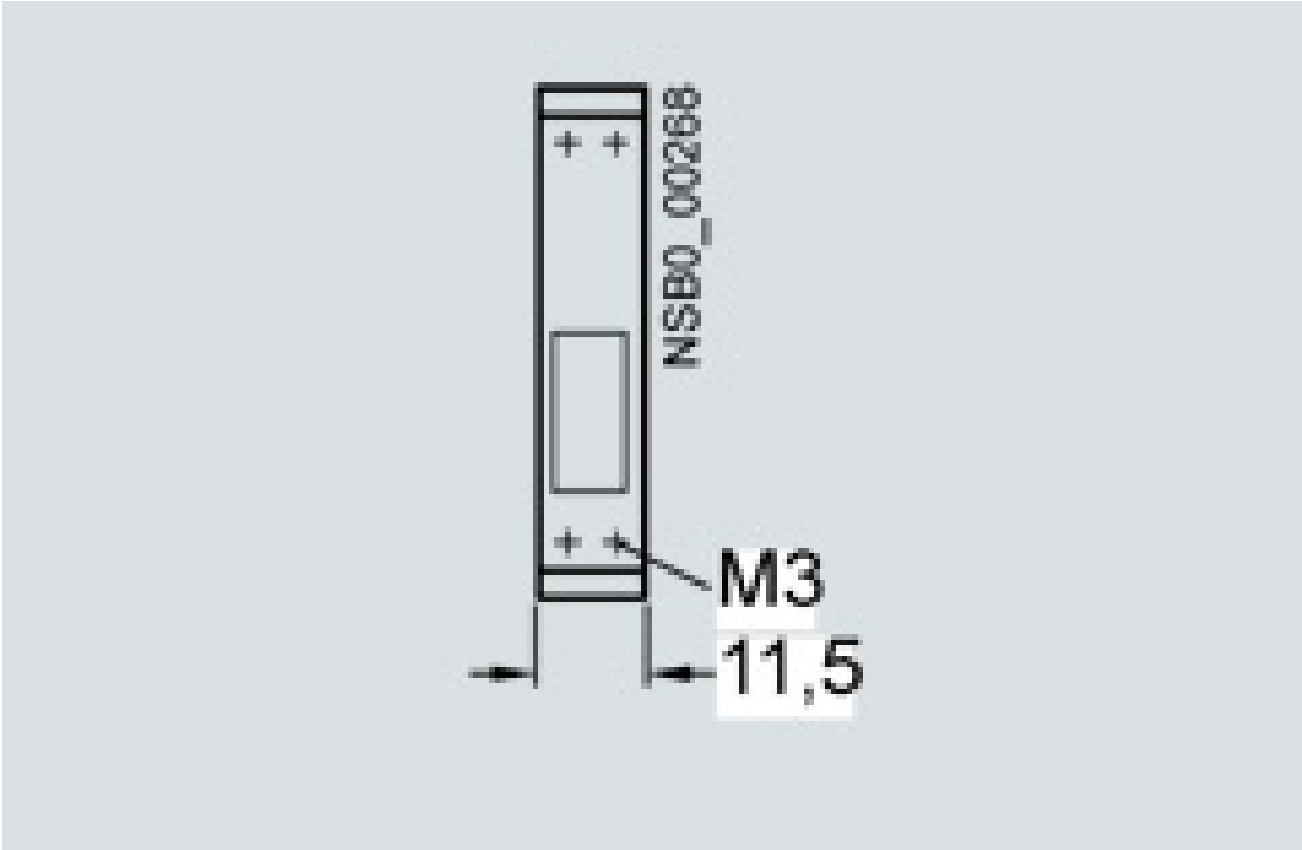
<http://www.siemens.com/cax>

Service&Support (Manuals, Certificates, Characteristics, FAQs,...)

<http://support.automation.siemens.com/WW/view/en/3TX7002-3AB01/all>

Image database (product images, 2D dimension drawings, 3D models, device circuit diagrams, ...)

http://www.automation.siemens.com/bilddb/cax_en.aspx?mlfb=3TX7002-3AB01



last change:

Jan 21, 2013