



Brand of NTN Group

Technical data

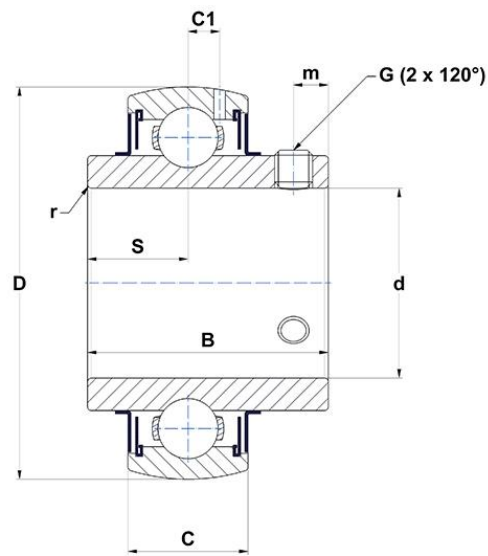
UC207G2T20

Insert bearings



Spherical outer diameter, fixing by socket set screw, labyrinth seal, for high-temp. applications

VISUAL (S)



PRODUCT DEFINITION

Brand	SNR
B - Width of Inner Ring	42,9 mm
C - Width of Outer Ring	20 mm
C1 - Distance center of OR to center of lubrication zone	5,8 mm
d - Shaft diameter	35 mm
D - Outer diameter of OR	72 mm
G - Set screw size	M8x1
m - Distance to set screw	6,5 mm



NTN Europe

1 rue des Usines · BP 2017 · 74010 Annecy Cedex · France · Tel. +33 (0)4 50 65 30 00
S.A. au capital de 322 639 919 € · RCS ANNECY B 325 821 072 · Id. Fiscale : FR 48 325 821 072
SIRET 325 821 072 00015 · Code APE 2815 Z · Code NACE 28.15

PRODUCT DEFINITION

r - Radius Inner Ring	1.1
S - Distance front side/bearing centre	17,5 mm
f0 - Factor	14
SW - Wrench size	4 mm

PRODUCT PERFORMANCE

C - Dynamic load rating	25700000 mN
C0 - Static load rating	15200000 mN
Operating temperature min.	253,15 °K
Operating temperature max.	473,15 °K

OTHER FEATURES

Mass	0,47 kg
Recommended tightening torque for set screw	11.5 N-m

BEARING FREQUENCIES

BPFO - Over rolling frequency on outer ring (60 rpm)	3.58161157024793 Hz
BPMF - Over rolling frequency on inner (60 rpm)	5.41838842975207 Hz
BSF - Over rolling frequency on rolling element (60 rpm)	4.69580119633806 Hz
BRF - Rotational frequency - rolling element (60 rpm)	2.34790059816903 Hz
FTF - Rotational frequency - cage (60 rpm)	0.397956841138659 Hz

