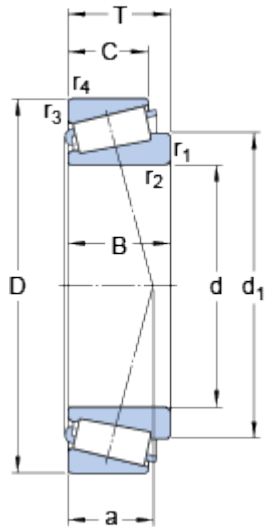


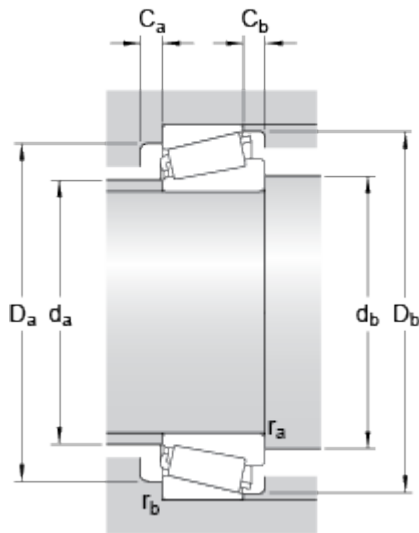
# 32206 J2/Q

## Dimensions



d		30	mm
D		62	mm
T		21.25	mm
d <sub>1</sub>	≈	45.2	mm
B		20	mm
C		17	mm
r <sub>1,2</sub>	min.	1	mm
r <sub>3,4</sub>	min.	1	mm

## Abutment dimensions



d <sub>a</sub>	max.	37	mm
d <sub>b</sub>	min.	37	mm
D <sub>a</sub>	min.	52	mm
D <sub>a</sub>	max.	56	mm
D <sub>b</sub>	min.	58	mm
C <sub>a</sub>	min.	3	mm
C <sub>b</sub>	min.	4	mm
r <sub>a</sub>	max.	1	mm
r <sub>b</sub>	max.	1	mm

## Calculation data

Basic dynamic load rating	C	50.1	kN
Basic static load rating	C <sub>0</sub>	57	kN
Fatigue load limit	P <sub>u</sub>	6.3	kN
Reference speed		8500	r/min
Limiting speed		11000	r/min
Calculation factor	e	0.37	
Calculation factor	Y	1.6	
Calculation factor	Y <sub>0</sub>	0.9	

## Mass

---

Mass bearing

0.285

kg