



Brand of NTN Group

Technical data

UCP212T20

Bearing units

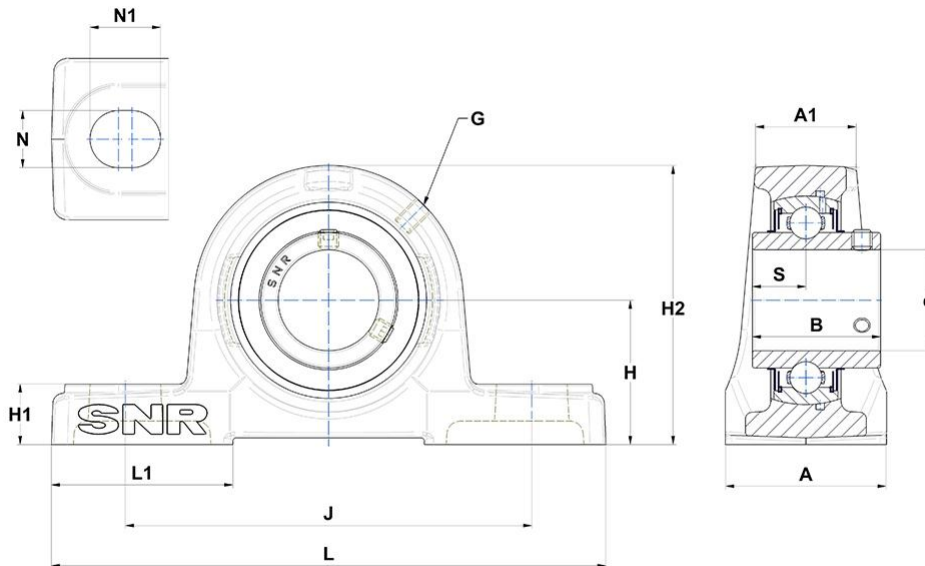


Grey cast housing, radial insert ball bearing with socket set screws, labyrinth seal, for high-temp. applications

KIT CONTENT

UC212G2T20, P212

VISUAL (S)



PRODUCT DEFINITION

Brand	SNR
A - Housing width	70 mm
A1 - Housing top width	44 mm
B - Width of Inner Ring	65,1 mm
d - Shaft diameter	60 mm



NTN Europe

1 rue des Usines · BP 2017 · 74010 Annecy Cedex · France · Tel. +33 (0)4 50 65 30 00
 S.A. au capital de 322 639 919 € · RCS ANNECY B 325 821 072 · Id. Fiscale : FR 48 325 821 072
 SIRET 325 821 072 00015 · Code APE 2815 Z · Code NACE 28.15

PRODUCT DEFINITION

G - Grease fitting	M6x1
H - Distance mounting base to centerline spheric. seating diam.	69,8 mm
H1 - Housing foot height	25 mm
H2 - Housing height	138 mm
J - Mounting holes distance	184 mm
L - Housing length	241 mm
L1 - Housing foot length	70 mm
N - Mounting hole dimension	20 mm
N1 - Mounting hole length	25 mm
S - Distance front side/bearing centre	25,4 mm

PRODUCT PERFORMANCE

C - Dynamic load rating	52500000 mN
C0 - Static load rating	32800000 mN
Operating temperature min.	253,15 °K
Operating temperature max.	473,15 °K

OTHER FEATURES

Mass	5,03 kg
Recommended tightening torque for set screw	22 N-m

