

# C41E-1203AG300

C4000 Micro

**SAFETY LIGHT CURTAINS**

**SICK**  
Sensor Intelligence.

### Ordering information

Type	Part no.
C41E-1203AG300	1023485

Other models and accessories → [www.sick.com/C4000\\_Micro](http://www.sick.com/C4000_Micro)



### Detailed technical data

#### Features

<b>System part</b>	Receiver
<b>Resolution</b>	30 mm
<b>Protective field height</b>	1,200 mm
<b>Scanning range</b>	0 m ... 6 m
<b>Response time</b>	≤ 20 ms
<b>Synchronization</b>	Optical synchronisation

#### Safety-related parameters

<b>Type</b>	Type 4 (IEC 61496-1)
<b>Safety integrity level</b>	SIL3 (IEC 61508) SILCL3 (EN 62061)
<b>Category</b>	Category 4 (EN ISO 13849)
<b>Performance level</b>	PL e (EN ISO 13849)
<b>PFH<sub>D</sub> (mean probability of a dangerous failure per hour)</b>	1.5 x 10 <sup>-8</sup> (EN ISO 13849)
<b>T<sub>M</sub> (mission time)</b>	20 years (EN ISO 13849)
<b>Safe state in the event of a fault</b>	At least one OSSD is in the OFF state.

#### Functions

	Functions	Delivery status
<b>Restart interlock</b>	✓	Internal
<b>External device monitoring (EDM)</b>	✓	Deactivated

#### Interfaces

<b>Connection type</b>	Male connector M12, 8-pin
<b>Conductor cross-section</b>	0.25 mm <sup>2</sup>
<b>Length of cable</b>	≤ 15 m
<b>Configuration method</b>	Hard wired
<b>Display elements</b>	7-segment display
<b>Fieldbus, industrial network</b>	Integration via Flexi Soft safety controller
	CANopen, DeviceNet™, EtherCAT®, EtherNet/IP™, Modbus TCP, PROFIBUS DP, PROFINET <sup>1)</sup>

<sup>1)</sup> For additional information on Flexi Soft -> [www.sick.com/Flexi\\_Soft](http://www.sick.com/Flexi_Soft).

## Electrical data

<b>Protection class</b>	III (EN 50178)
<b>Power consumption</b>	0.45 A + max. 1 A OSSD-Last
<b>Output signal switching devices (OSSDs)</b>	
Type of output	2 PNP semiconductors, short-circuit protected, cross-circuit monitored
ON state, switching voltage HIGH	24 V DC (15 V DC ... 28.8 V DC)
OFF state, switching voltage LOW	2 V DC
Current-carrying capacity per OSSD	≤ 500 mA

## Mechanical data

<b>Housing cross-section</b>	33.5 mm x 28.5 mm
<b>Weight</b>	1,250 g

## Ambient data

<b>Enclosure rating</b>	IP65 (IEC 60529)
<b>Ambient operating temperature</b>	-30 °C ... +55 °C
<b>Storage temperature</b>	-30 °C ... +70 °C
<b>Air humidity</b>	15 % ... 95 %, Non-condensing
<b>Vibration resistance</b>	5 g, 10 Hz ... 55 Hz (EN 60068-2-6)
<b>Shock resistance</b>	10 g, 16 ms (EN 60068-2-27)

## Classifications

<b>ECl@ss 5.0</b>	27272704
<b>ECl@ss 5.1.4</b>	27272704
<b>ECl@ss 6.0</b>	27272704
<b>ECl@ss 6.2</b>	27272704
<b>ECl@ss 7.0</b>	27272704
<b>ECl@ss 8.0</b>	27272704
<b>ECl@ss 8.1</b>	27272704
<b>ECl@ss 9.0</b>	27272704
<b>ETIM 5.0</b>	EC002549
<b>ETIM 6.0</b>	EC002549
<b>UNSPSC 16.0901</b>	46171620

### Dimensional drawing (Dimensions in mm (inch))

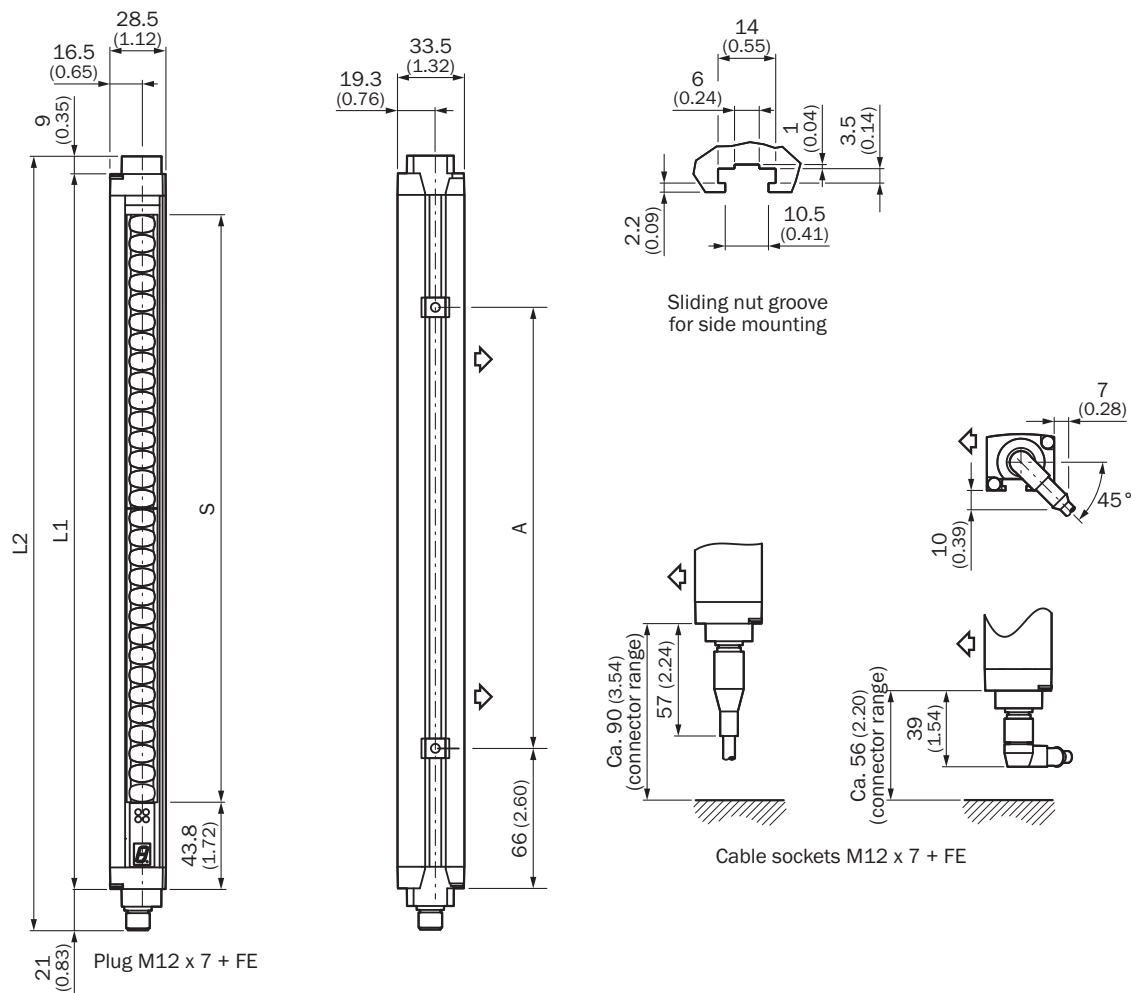







Illustration sender (receiver mirror image)

Protective field height S	L1	L2	A
150 (5.91)	246 (9.69)	276 (10.87)	106 (4.17)
300 (11.81)	364 (14.33)	394 (15.51)	224 (8.82)
450 (17.72)	515 (20.28)	545 (21.46)	374 (14.72)
600 (23.62)	666 (26.22)	696 (27.40)	524 (20.639)
750 (29.53)	816 (32.13)	846 (33.31)	674 (26.54)
900 (35.43)	967 (38.07)	997 (39.25)	824 (32.44)
1,050 (41.34)	1,117 (43.98)	1,147 (45.16)	974 (38.35)
1,200 (47.24)	1,266 (49.84)	1,296 (51.02)	1,124 (44.25)

Recommended accessories

Other models and accessories → [www.sick.com/C4000\\_Micro](http://www.sick.com/C4000_Micro)

	Brief description	Type	Part no.
<b>Mounting brackets and plates</b>			
	4 pieces, mounting bracket, rigid, including fixing screws and washers	BEF-3WNKBAST4	2044068
<b>Terminal and alignment brackets</b>			
	4 pieces, Mounting kit 6, side bracket, rotatable, Zinc diecast	BEF-1SHABAZN4	2019506
	4 pieces, Omega bracket, rotatable, fixable with only one screw, for mounting on the swivel mount, including spacer discs	BEF-2SMKEAAL4	2044848
<b>Plug connectors and cables</b>			
	Head A: female connector, M12, 8-pin, straight Head B: Flying leads Cable: PUR, halogen-free, shielded, 5 m	DOL-127SG05ME25KM0	6020354
		DOL-127SG05ME25KM0	2076541
	Head A: female connector, M12, 8-pin, straight Head B: Flying leads Cable: PUR, halogen-free, shielded, 10 m	DOL-127SG10ME25KM0	6020352
		DOL-127SG10ME25KM0	2076543
	Head A: female connector, M12, 8-pin, straight Head B: Flying leads Cable: PUR, halogen-free, shielded, 15 m	DOL-127SG15ME25KM0	6020872
		DOL-127SG15ME25KM0	2076544
	Head A: female connector, M12, 8-pin, straight Head B: Flying leads Cable: PUR, halogen-free, shielded, 2.5 m	DOL-127SG2M5E25KM0	6020537
		DOL-127SG2M5E25KM0	2076540
	Head A: female connector, M12, 8-pin, straight Head B: Flying leads Cable: PUR, halogen-free, shielded, 7.5 m	DOL-127SG7M5E25KM0	6020353
		DOL-127SG7M5E25KM0	2076542
	Head A: female connector, M12, 8-pin, angled Head B: Flying leads Cable: PUR, halogen-free, shielded, 5 m	DOL-127SW05ME25KM0	6021342
		DOL-127SW05ME25KM0	2076548

	Brief description	Type	Part no.
	Head A: female connector, M12, 8-pin, angled Head B: Flying leads Cable: PUR, halogen-free, shielded, 15 m	DOL-127SW15ME25KM0	6021343
	Head A: female connector, M12, 8-pin, angled Head B: Flying leads Cable: PUR, halogen-free, shielded, 7.5 m	DOL-127SW15ME25KM0	2076551
		DOL-127SW7M5E25KM0	2076549
		DOL-127SW7M5E25KM0	6034783
Alignment aids			
	Laser alignment aid for various sensors, laser class 2 (IEC 60825). Do not look into the beam!	AR60	1015741
	Adapter AR60 for housing cross-section 34 mm x 29 mm	AR60 adapter, 34x29	4032462

## SICK AT A GLANCE

SICK is one of the leading manufacturers of intelligent sensors and sensor solutions for industrial applications. A unique range of products and services creates the perfect basis for controlling processes securely and efficiently, protecting individuals from accidents and preventing damage to the environment.

We have extensive experience in a wide range of industries and understand their processes and requirements. With intelligent sensors, we can deliver exactly what our customers need. In application centers in Europe, Asia and North America, system solutions are tested and optimized in accordance with customer specifications. All this makes us a reliable supplier and development partner.

Comprehensive services complete our offering: SICK LifeTime Services provide support throughout the machine life cycle and ensure safety and productivity.

For us, that is “Sensor Intelligence.”

## WORLDWIDE PRESENCE:

Contacts and other locations –[www.sick.com](http://www.sick.com)