

## Female insert - MCC-MT 0,5-1,0 - 1859991


Please be informed that the data shown in this PDF Document is generated from our Online Catalog. Please find the complete data in the user's documentation. Our General Terms of Use for Downloads are valid (<http://download.phoenixcontact.com>)



Female contact, is inserted into the plug after crimping the conductor, for the module plug housing MCC 1...-STZ-3,81 and MCC 1...-STZF-3,81, for cross sections of 0.5 mm<sup>2</sup> to 1 mm<sup>2</sup>



### Key commercial data

Packing unit	100 pc
GTIN	 4 017918 127091
Weight per Piece (excluding packing)	0.24 g
Custom tariff number	85366990
Country of origin	Germany

### Technical data

#### General

Nominal current	8 A (with 1 mm <sup>2</sup> conductor cross section)
Conductor cross section stranded min.	0.5 mm <sup>2</sup>
Max. conductor cross section, stranded	1 mm <sup>2</sup>

#### Connection data

Core diameter including insulation	1.4 mm ... 1.8 mm
Stripping length of individual wires	4 mm

### Classifications

#### eCl@ss

eCl@ss 4.0	272607xx
eCl@ss 4.1	27260701
eCl@ss 5.0	27260701
eCl@ss 5.1	27260701
eCl@ss 6.0	27260704
eCl@ss 7.0	27440402

# Female insert - MCC-MT 0,5-1,0 - 1859991

## Classifications

### eCl@ss

eCl@ss 8.0	27440402
------------	----------

### ETIM

ETIM 3.0	EC001121
ETIM 4.0	EC000796
ETIM 5.0	EC000796

### UNSPSC

UNSPSC 6.01	30211810
UNSPSC 7.0901	39121410
UNSPSC 11	39121409
UNSPSC 12.01	39121409
UNSPSC 13.2	39121409

## Approvals

### Approvals

---

Approvals

GOST

---

Ex Approvals

---

Approvals submitted

---

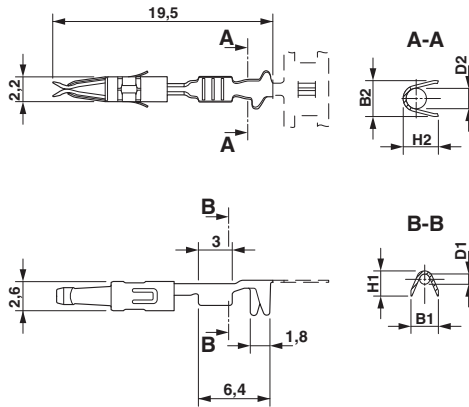
### Approval details

GOST 
--

## Drawings

# Female insert - MCC-MT 0,5-1,0 - 1859991

Dimensioned drawing



Diagram

