

4

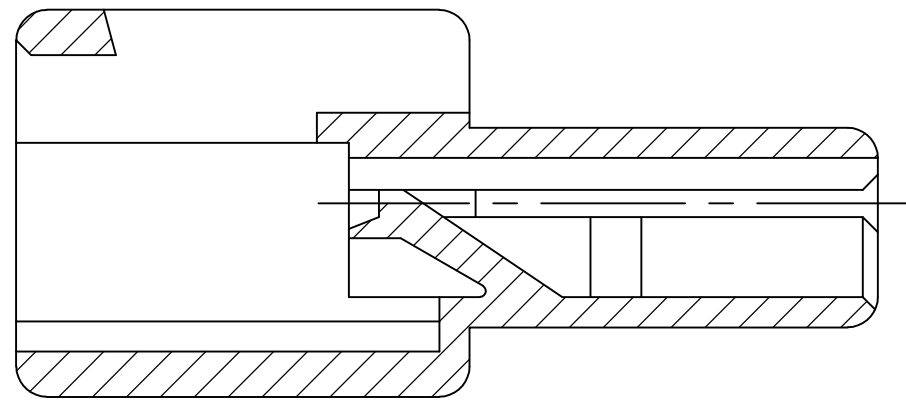
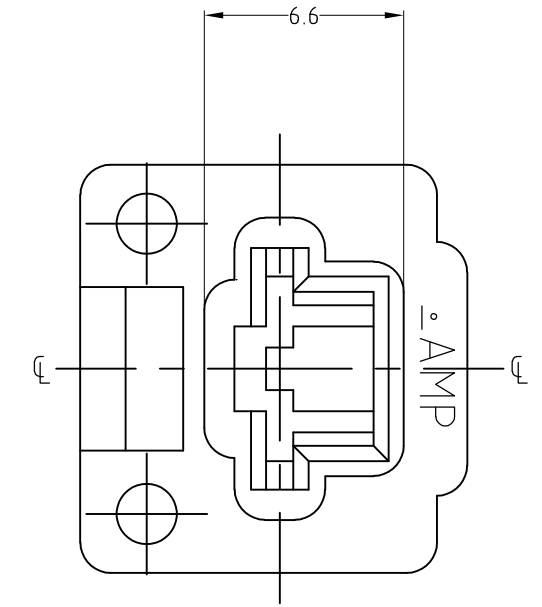
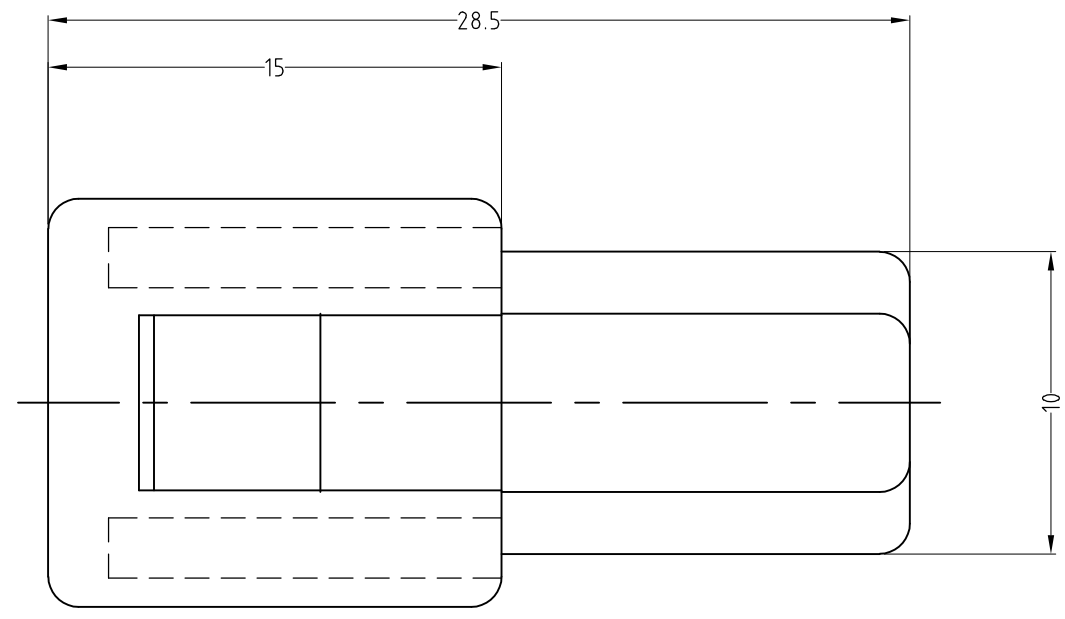
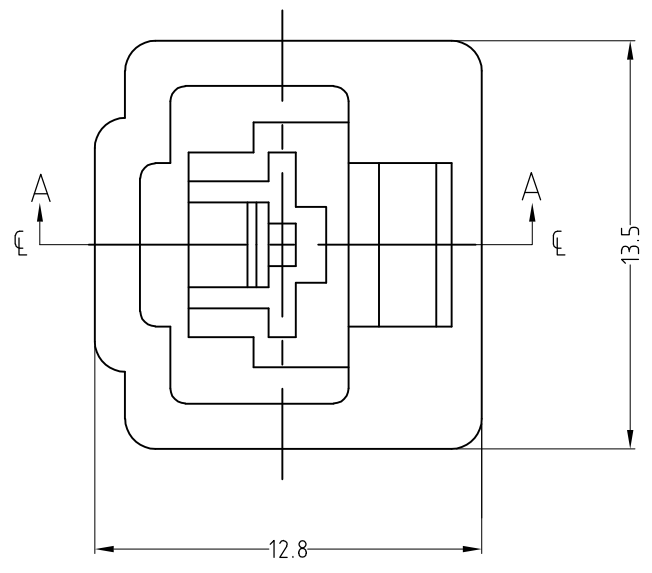
3

2

1

THIS DRAWING IS UNPUBLISHED. RELEASED FOR PUBLICATION  
 © COPYRIGHT BY TYCO ELECTRONICS CORPORATION. ALL RIGHTS RESERVED.

LOC	DIST	REVISIONS			
P	LTR	DESCRIPTION	DATE	DWN	APVD
	0	RELEASED FJD0-0013-03	22FEB2003	T.H	M.S
	01	REVISED PER ECO-09-024717	02DEC09	KK	AEG



SECTION A-A

RED	174195-9
ORANGE	174195-8
YELLOW	174195-7
GRAY	174195-6
<b>3</b> OBSOLETE	<del>BLUE</del> <del>174195-5</del>
GREEN	174195-4
BROWN	174195-3
BLACK	174195-2
NATURAL	174195-1
COLOR	PARTS NUMBER

- NOTES.  
 1. THE MATING PLUG HOUSING PART NUMBER : 174196  
 2. APPLICABLE CONTACT PART NUMBER : 170349 , 170340, 170341  
**3** OBSOLETE PARTS: OBSOLETE CIS STREAMLINING PER D.RENAUD/D.SINISI

THIS DRAWING IS A CONTROLLED DOCUMENT.		DWN : BH CHO 09JAN2003	Tyco Electronics AMP K.K. Kawasaki, Japan			
DIMENSIONS: MM		CHK : BW KANG 09JAN2003				
TOLERANCES UNLESS OTHERWISE SPECIFIED: ±0.3		APVD : CS LEE 09JAN2003	NAME			
		PRODUCT SPEC	1 P CAP HOUSING			
		APPLICATION SPEC	250 SERIES HOUSING LANCE CONNECTOR			
MATERIAL: 66 NYLON	FINISH: -	WEIGHT: -	SIZE: A3	CAGE CODE: 00779	DRAWING NO: <b>174195</b>	RESTRICTED TO: -
CUSTOMER DRAWING			SCALE: 4:1	SHEET: 1 OF 1	REV: 01	