

Rubber plug

SCHUKO / French/Belgian standard

1149190







General information

| | |
|-------------|-------------|
| Item number | 1149190 |
| Model | Rubber plug |
| Colour | black |

Electrical parameters

| | |
|----------|---------|
| Amperage | 16A |
| Voltage | 250V |
| Poles | 2P + PE |

Standards/Directives

| | |
|---------------------|--|
| According to | DIN VDE 0620 |
| Standard | SCHUKO / French/Belgian standard |
| Certification marks |     |

Operating conditions

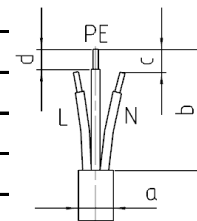
| | |
|-----------------------|---------------------------|
| Storage temperature | -25°C to +70°C |
| Operating temperature | -25°C to +40°C |
| Relative humidity | 5 to 95%, no condensation |
| Degree of protection | IP44 |

Materials

| | |
|-----------------|--------|
| Contact Carrier | PA |
| Housing | Rubber |

Connecting cable

| | |
|---|---|
| Cross section | 3x0,75mm ² -3x2,5mm ² |
| Cable diameter, dimension a | 6-12mm |
| Insulation strip length sheath, dimension b | 42-44mm |
| Trim L/N, dimension c | 8mm |
| Insulation strip length cores, dimension d | 8-10mm |



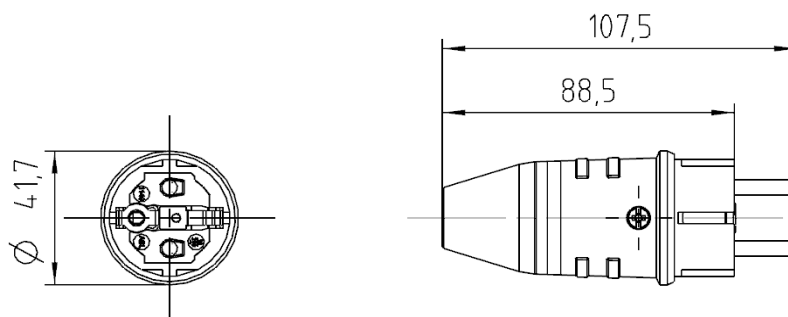
Connection screws

| | |
|--------------------------------------|-------------------|
| Max. torque for screws L-N/PE | 0,5 Nm |
| Screw drive L-N/PE | Combined slot/PZ1 |
| Max. torque for screws housing | 1,2 Nm |
| Screw drive housing | Combined slot/PZ2 |
| Max. torque for screws strain relief | 0,5 Nm |
| Screw drive strain relief | Combined slot/PZ1 |

Additional technical information

| | |
|--------------------------|---------------------------------|
| Turn strain relief clamp | for wire diameter less than 8mm |
|--------------------------|---------------------------------|

Subject to modifications



If the application requires extended specifications, we recommend to test the application under real or simulated conditions. Parameters like duration, quantity and temperature will effect the result significantly