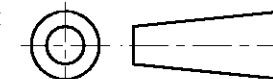


DO NOT SCALE

DIMENSIONS IN mm

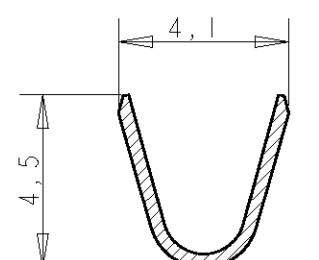
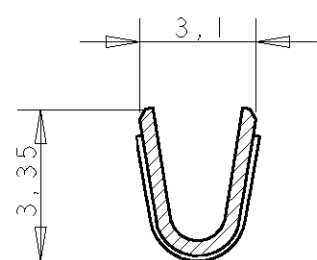
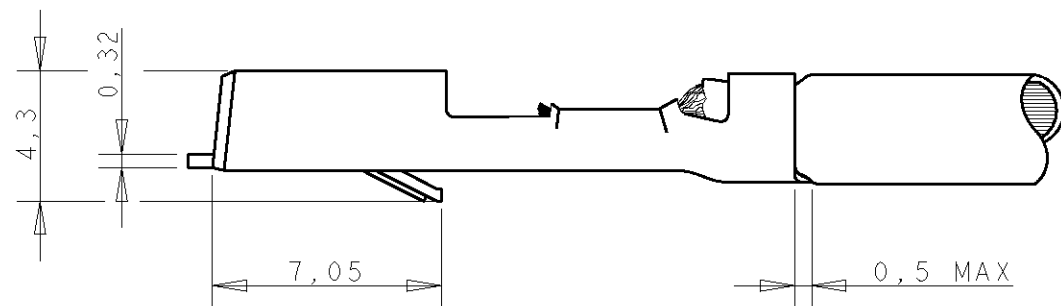
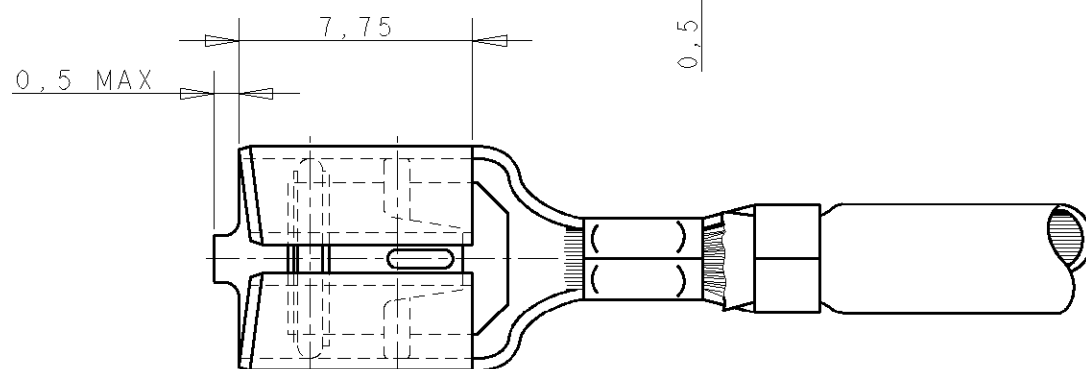
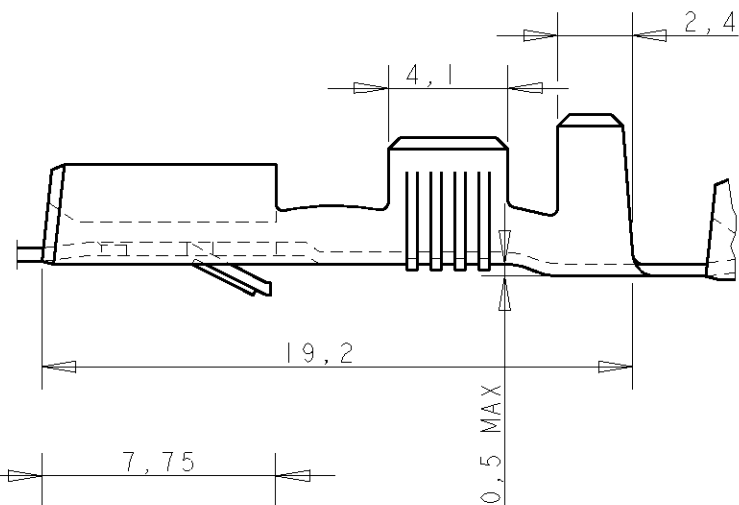
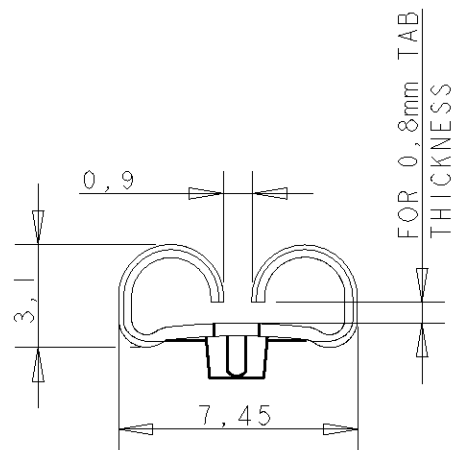
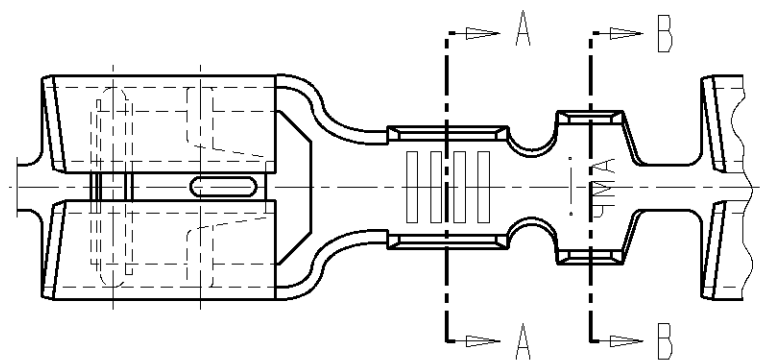
METRIC

THIRD ANGLE  
PROJECTION

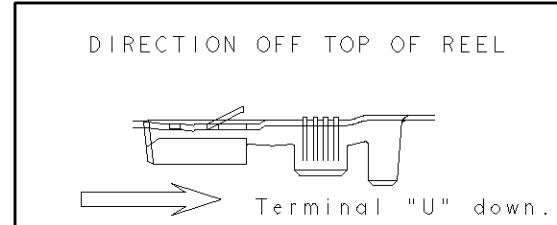


NOTES

- 1 NO BEAT IN LOCKING LANCE REQUIRED.
- 2 FOR HIGHER EXTRACTION FORCE APPLICATION.
- 3 OBSOLETE PARTS: OBSOLETE CIS STREAMLINING PER D.RENAUD/D.SINISI



WIRE RANGE :  
0,5-1,5 mm<sup>2</sup>  
INSULATION RANGE :  
2,3-3,3mm DIA.



GENERAL TOLERANCES ±0.3

3 OBSOLETE		PRE-TINPLATED	PH. BRONZE	<del>6-160526-8</del>
		PRE-TINPLATED	BRASS	<del>6-160526-7</del>
	2/1	UNPLATED	BRASS	9-160526-4
		TINPLATED	PH. BRONZE	6-160526-2
		SILVERPLATED	BRASS	6-160526-1
		SILVERPLATED	PH. BRONZE	6-160526-0
		TINPLATED	PH. BRONZE	5-160526-9
		UNPLATED	PH. BRONZE	5-160526-8
		TINPLATED	BRASS	5-160526-7
		UNPLATED	BRASS	5-160526-6
	TINPLATED	PH. BRONZE	160526-4	

AL2	REV PER ECO-10-000444	KK	AEG	09JAN10	CUSTOMER DRAWING	FOR REFERENCE ONLY WILL NOT BE UPDATED
AL1	ES00-0086-04	J.L	JL	22DEC04	© COPYRIGHT 19- BY AMP HOLLAND B.V.	ALL INTERNATIONAL RIGHTS RESERVED. AMP PRODUCTS MAY BE COVERED BY U.S. AND FOREIGN AND/OR PATENTS PENDING.
AL	ES00.0008-03	J.L	J.L	17JAN03	THIS DRAWING IS UNPUBLISHED RELEASED FOR PUBLICATION	
AK	ES00-0065-01	JC	JL	19JUN01	Tyco Electronics AMP Barcelona, Spain	
AJ	ES00-0043-01	JC	RS	15MAY01		
AH	REVISED FOR ET00-0171-00	H. Y.	C. T.	12 JUN 00	NAME	
C	H-9671	JvL	AB	23-03-92	FASTIN-FASTON® Connector, .250" sr. REC. CONTACT.	
LTR.	REVISION RECORD	DR.	CHK.	DATE	DWG. No.	REV. LTR.
DR.:	J.v.LIEMPT.	CHK.:	A.BIJNEN.	APP.:	L.v.SOEST.	SHEET
DATE:	23 MAR 1992	DATE:	-	DATE:	-	1 OF 1
					C-160526	AL2
						A3