



Door-coupling 8x 8 mm Accessory for: Shaft 8x 8 mm, 3VA, 3VM, 3KX, 3RV, 3LD5  
UL Door-coupling rotary operating mechanism, 3KD



Model	
product brand name	SETRON
product designation	door coupling
design of the product	size 10x 10
size of cross-section of the shaft of door-coupling rotary operating mechanism	8x8 mm
suitability for use	for shaft 8x 8 mm, 3VA, 3VM, 3KX, 3RV door mounted rotary operator
Product details	
product description	without lighting
product component	No
• extension shaft	
Mechanical Design	
height	26.2 mm
width	27.4 mm
depth	40 mm
net weight	100 g

### Approvals Certificates

General Product Approval	Declaration of Conformity
  	  

Test Certificates	Marine / Shipping	other	Environment
<a href="#">Type Test Certificates/Test Report</a>	 LRS	<a href="#">Miscellaneous</a>	<a href="#">Confirmation</a>
			<a href="#">Environmental Confirmations</a>

### Further information

Siemens has decided to exit the Russian market (see here).  
<https://press.siemens.com/global/en/pressrelease/siemens-wind-down-russian-business>  
 Siemens is working on the renewal of the current EAC certificates.  
 Please contact your local Siemens office on the status of validity of the EAC certification if you intend to import or offer to supply these products to an EAC relevant market (other than the sanctioned EAEU member states Russia or Belarus).  
**Information on the packaging**  
<https://support.industry.siemens.com/cs/ww/en/view/109813875>  
**Information- and Downloadcenter (Catalogs, Brochures,...)**  
<http://www.siemens.com/lowvoltage/catalogs>  
 Industry Mall (Online ordering system)

<https://mall.industry.siemens.com/mall/en/en/Catalog/product?mifb=8UD1900-2HA00>

Service&Support (Manuals, Certificates, Characteristics, FAQs,...)

<https://support.industry.siemens.com/cs/ww/en/ps/8UD1900-2HA00>

Image database (product images, 2D dimension drawings, 3D models, device circuit diagrams, ...)

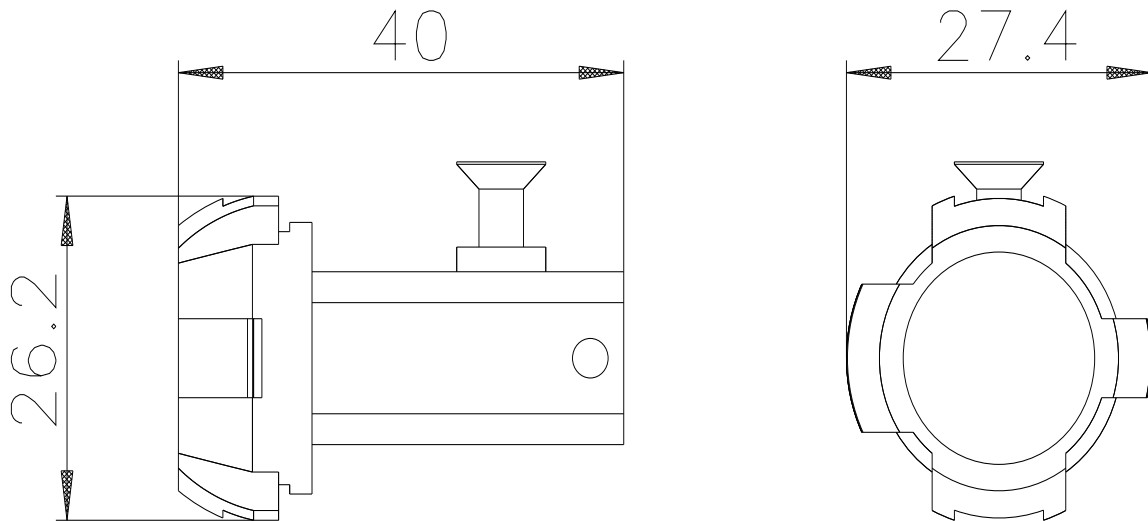
[http://www.automation.siemens.com/bilddb/cax\\_en.aspx?mifb=8UD1900-2HA00](http://www.automation.siemens.com/bilddb/cax_en.aspx?mifb=8UD1900-2HA00)

CAX-Online-Generator

<http://www.siemens.com/cax>

Tender specifications

<http://www.siemens.com/specifications>



last modified:

7/29/2022 

