



## Data

### Electrical data

### Ratings per IEC/EN

Nominal voltage (III/3)	800 V
Rated current	57 A

### Ex information

Rated current (Ex e II)	50 A
-------------------------	------

Subject to changes. Please also observe the further product documentation!

WAGO GmbH & Co. KG  
Hansastr. 27  
32423 Minden  
Phone: +49571 887-0 | Fax: +49571 887-169  
Email: [info.de@wago.com](mailto:info.de@wago.com) | Web: [www.wago.com](http://www.wago.com)

Do you have any questions about our products?  
We are always happy to take your call at +49 (571) 887-44222.



## Physical data

Width	37.6 mm / 1.48 inch
Height	4.1 mm / 0.161 inch
Depth	23 mm / 0.906 inch
Jumper assignment	4-way

## Material data

Note on material data	Information on material data can be found here
Color	light gray
Fire load	0.033 MJ
Weight	8 g

## Commercial data

Product Group	22 (TOPJOB S)
PU (SPU)	25 Stück
Packaging type	bag
Country of origin	DE
GTIN	4055143701976
Customs tariff number	85366990990

## Downloads

### Documentation

#### Bid Text

2010-404 X81 - Datei	19-Feb-2019	xml 2.6 kB	Download
2010-404 doc - Datei	28-Apr-2017	doc 24.1 kB	Download

#### Additional Information

Technical explanations	pdf 2.2 MB	Download
------------------------	---------------	----------

## CAD/CAE-Data

### CAD data

2D/3D Models 2010-404	URL	Download
-----------------------	-----	----------

Subject to changes. Please also observe the further product documentation!

### CAE data

EPLAN Data Portal 2010-404	<a href="#">URL</a>	<a href="#">Download</a>
WSCAD Universe 2010-404	<a href="#">URL</a>	<a href="#">Download</a>
ZUKEN Portal 2010-404	<a href="#">URL</a>	<a href="#">Download</a>

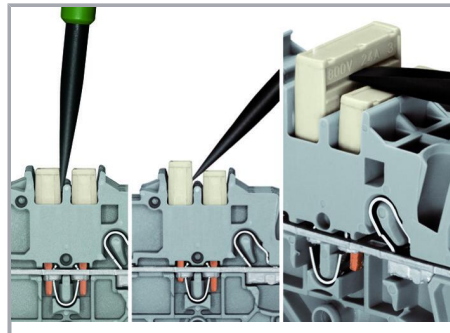
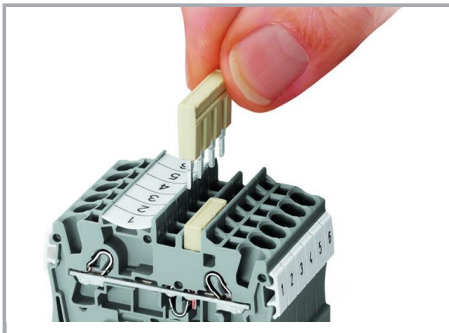
## Environmental Product Compliance

### Compliance Search

Environmental Product Compliance 2010-404 Jumper; 4-way; insulated; light gray	<a href="#">URL</a>	<a href="#">Download</a>
---	---------------------	--------------------------

## Installation Notes

### Commoning



The push-in type jumper bar system is based on the common plug and socket principle. Each terminal block is spring-loaded with a double socket and a resilient CrNi steel spring. The jumper contact material is pure electrolytic copper, which allows for an extremely small design capable of carrying the full-rated current of the terminal block. Ground terminal blocks can also be commoned using the same jumper system. Custom jumpers are created by breaking and removing jumper contacts (2000, 2001, 2002, 2004 Series).

### Removing a push-in type jumper bar:

Insert the operating tool between the jumper and partition wall of the dual jumper slots, then lift up the jumper.

Place the operating tool in the center of jumpers for up to five contacts (see above), or alternately on both sides for jumpers with more than five contacts.

Subject to changes. Please also observe the further product documentation!

Commoning

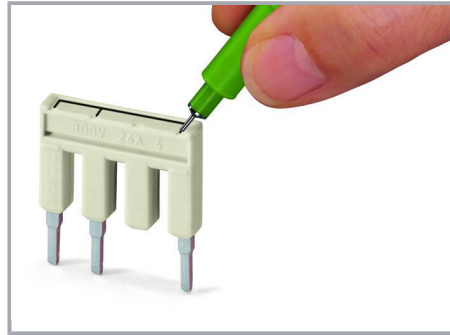


Push-in type jumper bars

Custom push-in type jumper bars are created by breaking off jumper contacts.

500 V

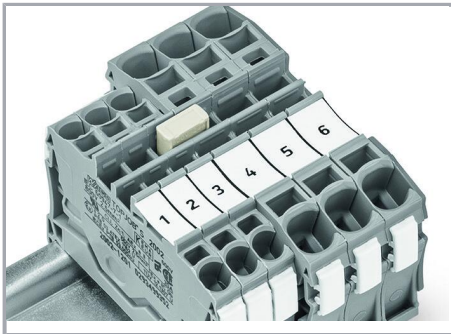
300 V



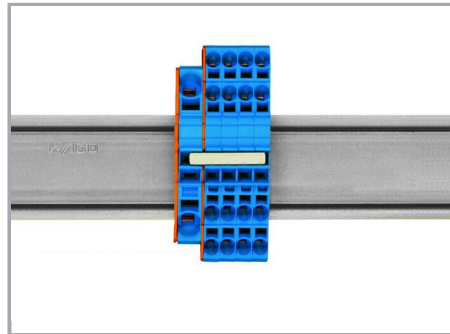
Push-in type jumper bars

Marking with a felt-tip pen.

Commoning

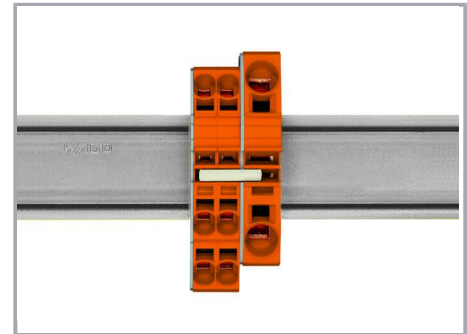


Stepping down via push-in type jumper bar.



Stepping down via push-in type jumper bar:

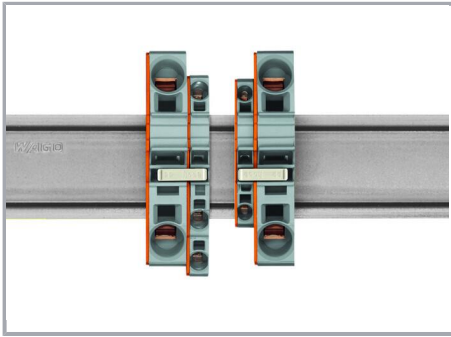
Commoning via closed terminal side with end plate allows jumpering over two cross-section sizes, e.g., from 16 mm<sup>2</sup> (6 AWG) to 6 mm<sup>2</sup> (10 AWG) or from 6 mm<sup>2</sup> (10 AWG) to 2.5 mm<sup>2</sup> (14 AWG) (see illustration above).



Stepping down via push-in type jumper bar:

Commoning via open terminal side with end plate allows jumpering over two cross-section sizes for 16 mm<sup>2</sup> (6 AWG) and 10 mm<sup>2</sup> (8 AWG) and one cross-section size for 6/4/2.5 mm<sup>2</sup> (10/12/14 AWG). An example: from 16 mm<sup>2</sup> (6 AWG) to 6 mm<sup>2</sup> (10 AWG) (see illustration above) or from 10 mm<sup>2</sup> (8 AWG) to 4 mm<sup>2</sup> (12 AWG).

Subject to changes. Please also observe the further product documentation!



**Note:**

The total current of the outgoing circuits must not exceed the nominal current of the step-down jumper/push-in type jumper bar.

**Product family**

**TOPJOB® S**

TOPJOB® S: In various industrial applications and modern building installations, WAGO's wide and versatile range of rail-mount terminal blocks provides more than just reliable electrical connections.

[Show all products from the family](#)

Subject to changes. Please also observe the further product documentation!