



Connectors > Automotive Connectors > Automotive Connector Accessories > Automotive Connector Caps & Covers



Primary Product Color: **Black**

Protection & Strain Relief Accessory Type: **Cover**

Primary Product Material: **PBT GF**

Strain Relief: **Without**

Operating Temperature (Max): **70 °C, 75 °C, 80 °C, 85 °C, 90 °C, 100 °C [212 °F]**

Features

Product Type Features

Protection & Strain Relief Accessory Type	Cover
---	-------

Body Features

Primary Product Color	Black
Primary Product Material	PBT GF

Mechanical Attachment

Strain Relief	Without
---------------	---------

Usage Conditions

Operating Temperature (Max)	70 °C, 75 °C, 80 °C, 85 °C, 90 °C, 100 °C [212 °F]
Operating Temperature Range	-40 – 100 °C[-40 – 212 °F]

Packaging Features

Packaging Method	Box
Packaging Quantity	5000

Other

Serviceable	No
-------------	----

Product Compliance

For compliance documentation, visit the product page on [TE.com](#)>

EU RoHS Directive 2011/65/EU	Compliant
EU ELV Directive 2000/53/EC	Compliant
China RoHS 2 Directive MIIT Order No 32, 2016	No Restricted Materials Above Threshold
EU REACH Regulation (EC) No. 1907/2006	Current ECHA Candidate List: JAN 2025 (247) Candidate List Declared Against: JUNE 2024 (241) Does not contain REACH SVHC
Halogen Content	Low Halogen - Br, Cl, F, I < 900 ppm per homogenous material. Also BFR/CFR/PVC Free
Solder Process Capability	Not reviewed for solder process capability

Product Compliance Disclaimer

This information is provided based on reasonable inquiry of our suppliers and represents our current actual knowledge based on the information they provided. This information is subject to change. The part numbers that TE has identified as EU RoHS compliant have a maximum concentration of 0.1% by weight in homogenous materials for lead, hexavalent chromium, mercury, PBB, PBDE, DBP, BBP, DEHP, DIBP, and 0.01% for cadmium, or qualify for an exemption to these limits as defined in the Annexes of Directive 2011/65/EU (RoHS2). Finished electrical and electronic equipment products will be CE marked as required by Directive 2011/65/EU. Components may not be CE marked. Additionally, the part numbers that TE has identified as EU ELV compliant have a maximum concentration of 0.1% by weight in homogenous materials for lead, hexavalent chromium, and mercury, and 0.01% for cadmium, or qualify for an exemption to these limits as defined in the Annexes of Directive 2000/53/EC (ELV). Regarding the REACH Regulation, the information TE provides on SVHC in articles for this part number is based on the latest European Chemicals Agency (ECHA) 'Guidance on requirements for substances in articles' posted at this URL: <https://echa.europa.eu/guidance-documents/guidance-on-reach>

Compatible Parts



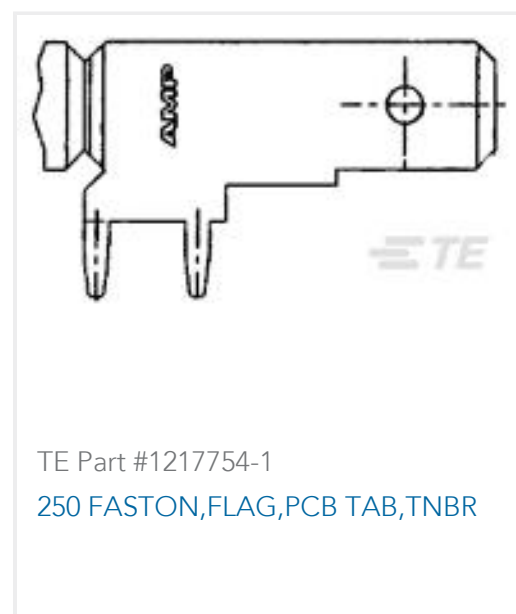
Customers Also Bought



TE Part #1-2176345-0
CRGCO 1210 56R 1%



TE Part #1379217-5
SPOS MIXED MQS REC COD A



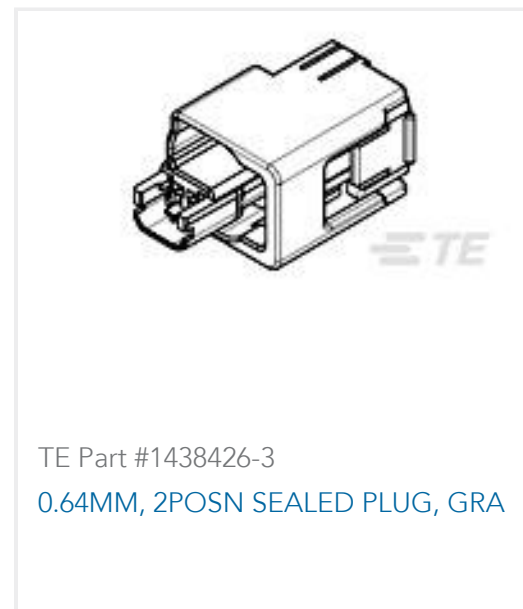
TE Part #1217754-1
250 FASTON, FLAG, PCB TAB, TNBR



TE Part #1326359-1
11P 2.8MM LVG-HNG PLUG - KEY A



TE Part #181299-1
MOD I CRIMP CONTACT



TE Part #1438426-3
0.64MM, 2POSN SEALED PLUG, GRA



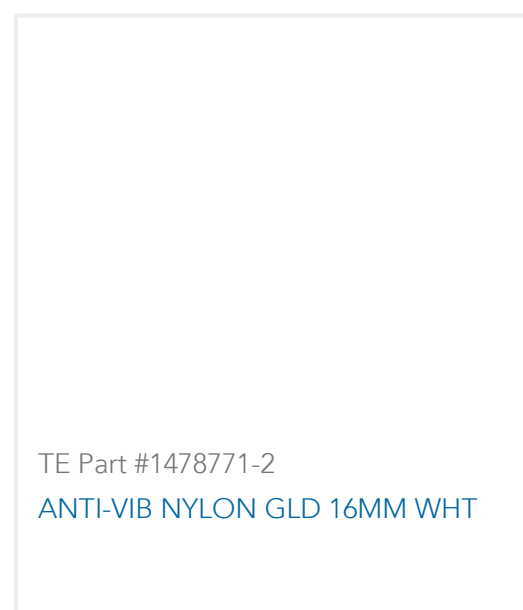
TE Part #2176486-3
BMC 0805 220R 25% A Gen C



TE Part #2132415-5
EP2.5 Shrouded HDR ASSY 5P VERT w /o boss



TE Part #2387327-3
MINI FUSE RECEPTACLE



TE Part #1478771-2
ANTI-VIB NYLON GLD 16MM WHT

Documents

Product Drawings

[COVER FOR 5W MPQ+MQS HSG](#)

English

CAD Files

Customer View Model

[ENG_CVM_CVM_1379218-2_O.2d_dxf.zip](#)

English

3D PDF

3D

Customer View Model

[ENG_CVM_CVM_1379218-2_O.3d_igs.zip](#)

English

Customer View Model

[ENG_CVM_CVM_1379218-2_O.3d_stp.zip](#)

English

By downloading the CAD file I accept and agree to the [Terms and Conditions](#) of use.

Product Specifications



2 WAY MPQ + 3 WAY MQS SOCKET HOUSING

English

Product Specification

English