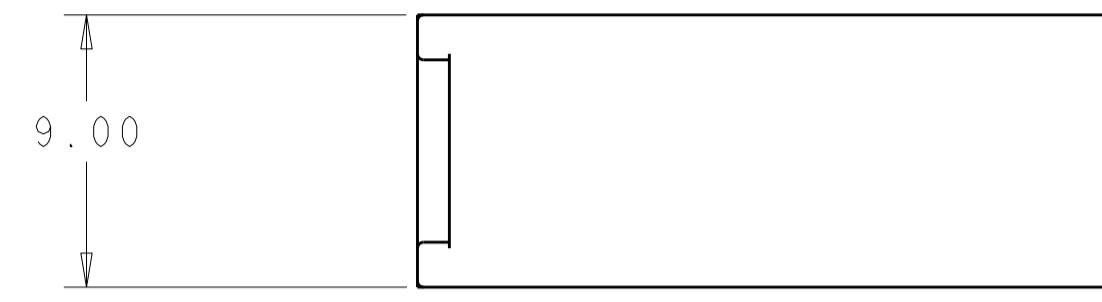


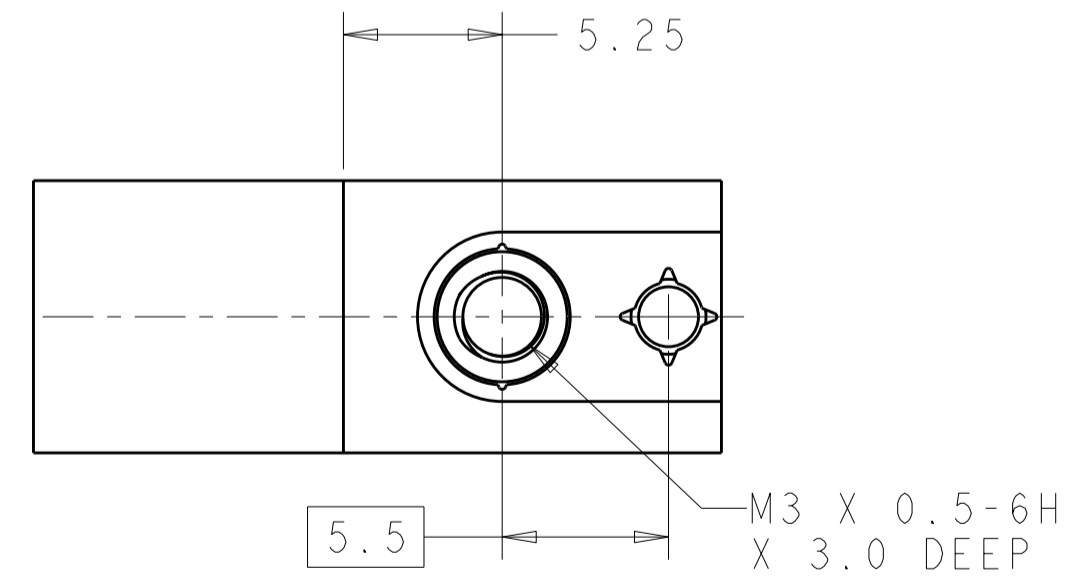
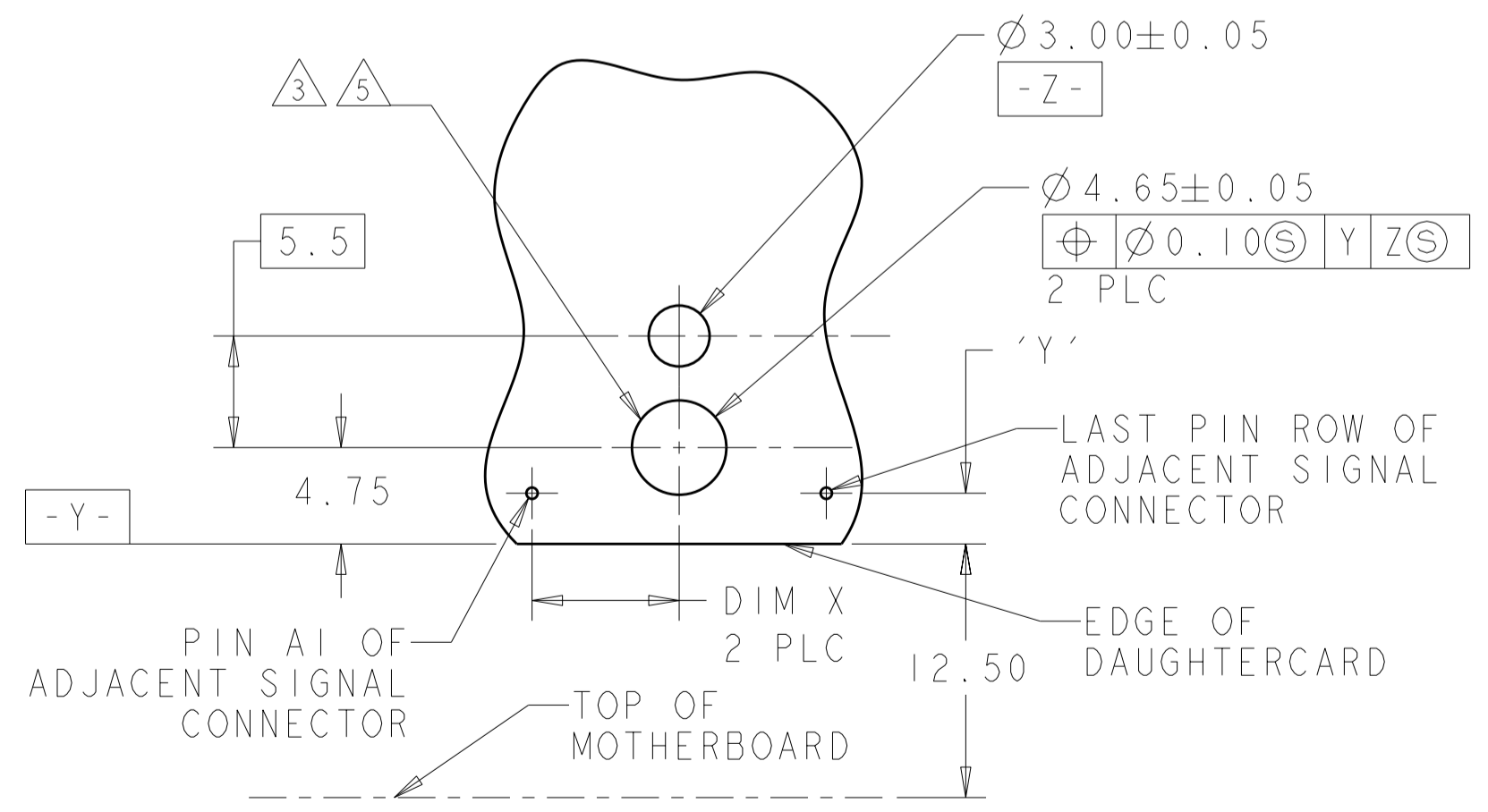
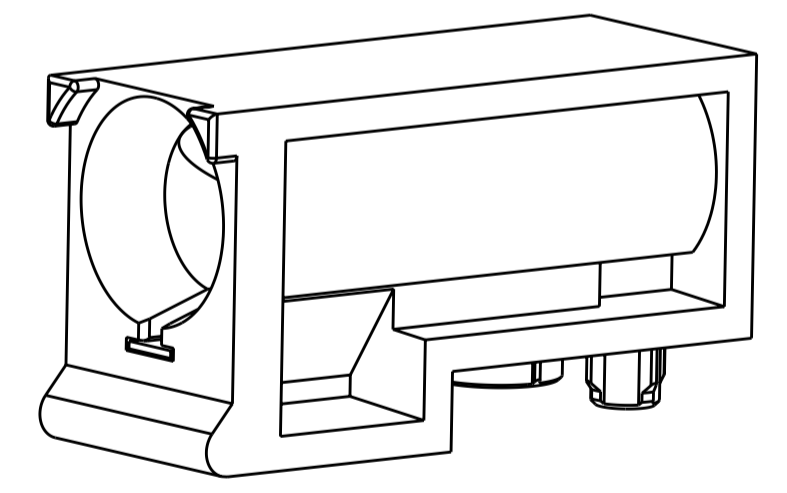
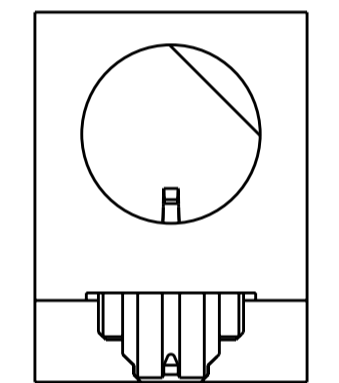
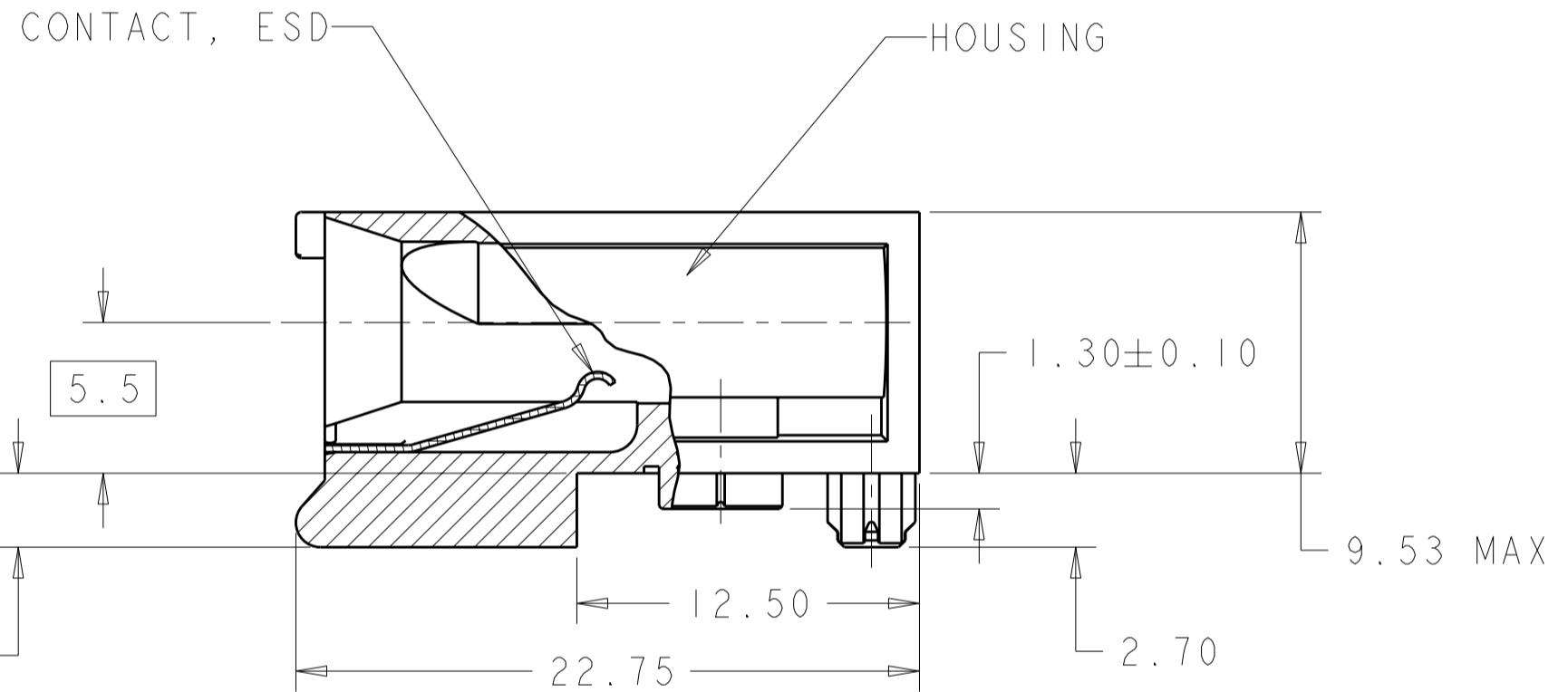
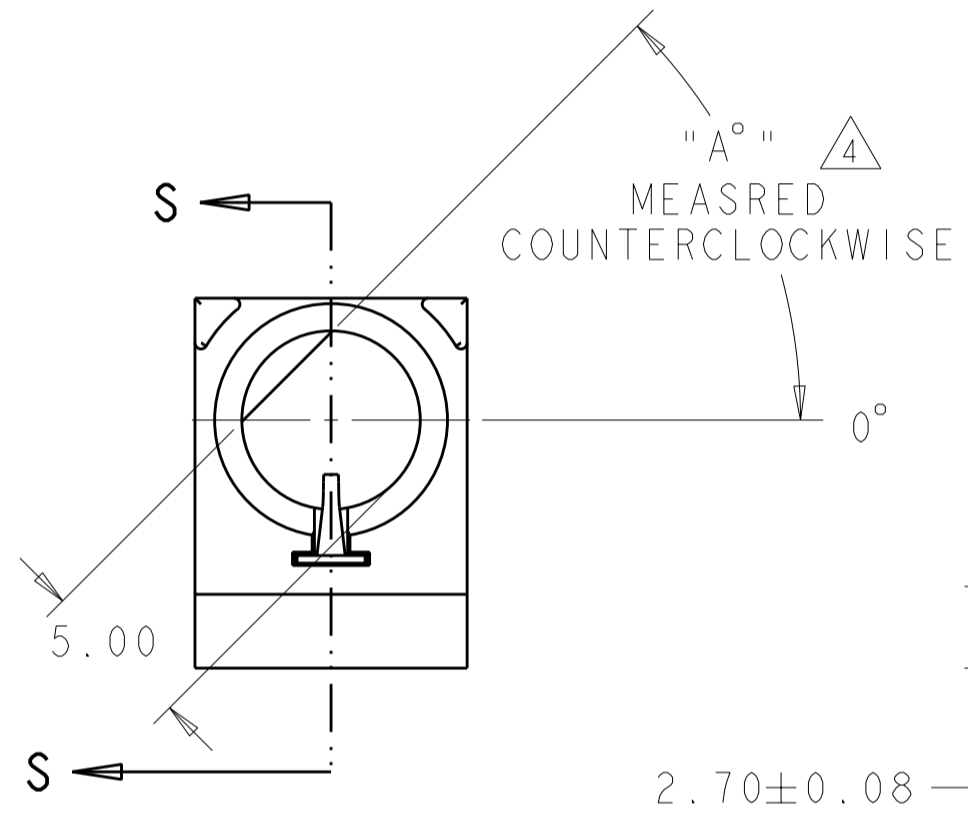
THIS DRAWING IS UNPUBLISHED. RELEASED FOR PUBLICATION 20
 © COPYRIGHT 20 BY - ALL RIGHTS RESERVED.

LOC	DIST	REVISIONS			
P	LTR	DESCRIPTION	DATE	DWN	APVD
AD	00				
	D1	REVISED PER ECO-11-004587	11MAR2011	RK	HMR

PART NO.	"A°"	HOUSING	CONTACT
1-1469492-1	0°	5	6
1-1469492-2	45°	5	6
1-1469492-3	90°	5	6
1-1469492-7	270°	5	6
1-1469492-8	315°	5	6
1-1469492-9	9	5	6



- 1 MATERIAL: HOUSING: ZINC ALLOY DIE CASTING, ZAMAK 3; CONTACT: PHOSPHOR BRONZE
- 2 HOLE FOR POSITIVE RETENTION SCREW.
- 3 DASH NUMBERS INDICATE KEY ORIENTATION (P/N 1469492-2 SHOWN ON DRAWING)
- 4 GROUND PAD Ø5mm ON BOTH SIDE OF PCB.
- 5 FINISH: SILVER OVER NICKEL OVER COPPER
- 6 CONTACT FINISH: 3.81µm MINIMUM SILVER IN CONTACT AREA OVER 1.27µm MINIMUM NICKEL ALL OVER
- 7 GUIDE MODULE W/O KEYING; GUIDE PIN 1469491 SERIES MUST BE ORIENTED TO PROVIDE PROPER ESD PERFORMANCE



7.25	1469492
DIM X ADJACENT TO TIER 1 OR TIER 2 ASSEMBLY	PART NO

PRIMARY PCB LAYOUT CONNECTOR SIDE SCALE 3: 1

'Y'	PRODUCT
2.5	TIER 1
2.25	TIER 2
1.50	TIER 2 (7-ROW)

THIS DRAWING IS A CONTROLLED DOCUMENT.

DIMENSIONS: mm	TOLERANCES UNLESS OTHERWISE SPECIFIED:	DWN R. TREA 24FEB2004	24FEB2004
		CHK B. PATERSON 24FEB2004	
		APVD G. GRIFFITH 24FEB2004	
		PRODUCT SPEC	108-2072
		APPLICATION SPEC	114-13056
MATERIAL	FINISH	WEIGHT	-

STE TE Connectivity

NAME MULTIGIG GUIDE MODULE/STANDOFF, RIGHT ANGLE, 20.3mm, DAUGHTERCARD

SIZE	CAGE CODE	DRAWING NO	RESTRICTED TO
A200779	C-1469492		-

CUSTOMER DRAWING SCALE 4:1 SHEET 1 OF 1 REV D1