

## Features

- 5 Pin Cable Connector
- SF12 Series
- Solder Termination
- 5 Contacts
- Push-Pull Coupling
- Cable Outer Diameter: 5 – 8mm
- Used in Factory Automation, Robotics, Industrial Machinery, Railway & Transportation, Aerospace & Defence, Medical Equipment, Renewable Energy Systems etc.

## RS PRO Industrial Circular Connectors

RS Stock No.: 124-6738



RS PRO is the own brand of RS. The RS PRO Seal of Approval is your assurance of professional quality, a guarantee that every part is rigorously tested, inspected, and audited against demanding standards. Making RS PRO the Smart Choice for our customers.

## Product Description

*The RS Pro SF12 Series offers a range of high-precision, waterproof connectors designed to meet IP67 sealing standards. Featuring a push-pull coupling mechanism, these connectors ensure fast, secure, and reliable mating. The chrome-plated brass housings provide excellent durability while maintaining a sleek, professional appearance.*

*Available in in-line cable-to-cable and cable-to-panel configurations, the series includes plugs and receptacles with either male pins or female sockets. Suitable for both data and power transmission, the RS Pro SF12 Series is ideal for use in medical, communications, and test & measurement applications.*

## General Specifications

|                    |                              |
|--------------------|------------------------------|
| Number of Contacts | 5                            |
| Shell Material     | Brass with chrome plating    |
| Insert Material    | Polyphenylene Sulphide (PPS) |
| Contact Material   | Brass Alloy                  |
| Contact Plating    | Gold                         |
| Pole Format        | S                            |
| Contact Gender     | Female                       |
| Mating Type        | Push-Pull                    |
| Mating Cycles      | 500                          |
| Colour             | Silver                       |

## Electrical Specifications

|                            |        |
|----------------------------|--------|
| Plug/Socket                | Plug   |
| Termination                | Solder |
| Current Rating (A)         | 5      |
| Voltage Rating (V)         | 180    |
| Insulation Resistance (MΩ) | 2000   |
| Contact Resistance (mΩ)    | 5      |

## Mechanical Specifications

|                                   |          |
|-----------------------------------|----------|
| Connector Series                  | SF12     |
| Contact Diameter (mm)             | ø1 x 5   |
| Cable Outer Diameter (mm)         | 5 - 8    |
| Wire size (mm <sup>2</sup> / AWG) | ≤0.75/18 |

## Operation Environment Specifications

|                       |               |
|-----------------------|---------------|
| Operating Temperature | -40°C to 85°C |
|-----------------------|---------------|

## Protection Category

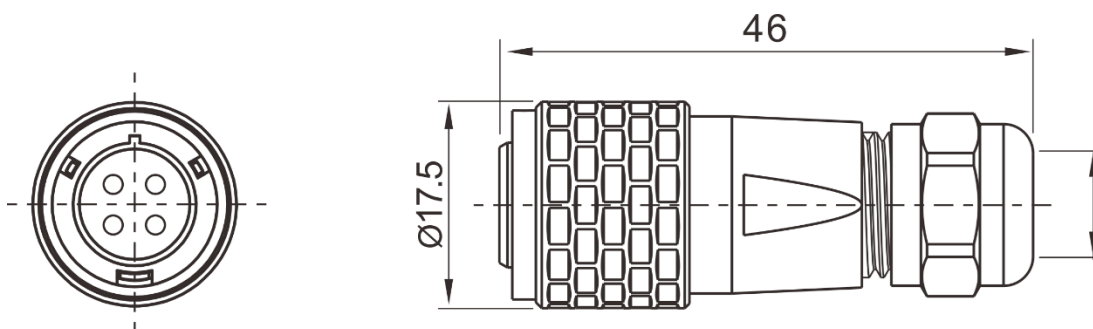
|           |      |
|-----------|------|
| IP Rating | IP67 |
|-----------|------|

## Approvals

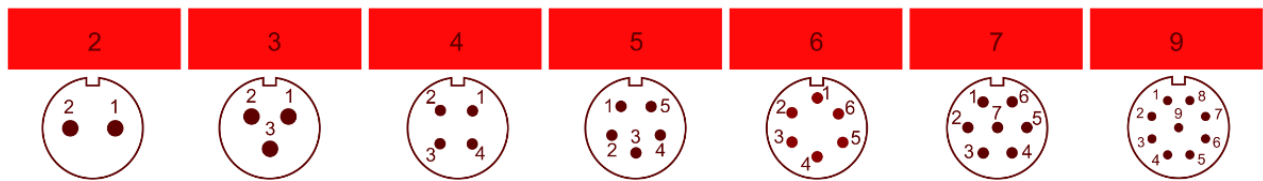
|                           |          |
|---------------------------|----------|
| Compliance/Certifications | RoHS, CE |
|---------------------------|----------|

## Mating Parts

|                         |          |
|-------------------------|----------|
| In-line Cable Connector | 124-6721 |
| Front Panel Mount       | 124-6726 |



## Contact View



## Similar Products

| Parameters                  | 124-6739 | 124-6743 | 124-6740 | 124-6744 | 124-6741 | 124-6745 | 124-6742 | 124-6746 |
|-----------------------------|----------|----------|----------|----------|----------|----------|----------|----------|
| Number of Contacts          | 2        | 2        | 3        | 3        | 4        | 4        | 5        | 5        |
| Current Rating              | 13       | 13       | 13       | 13       | 5        | 5        | 5        | 5        |
| Voltage Rating              | 250      | 250      | 250      | 250      | 200      | 200      | 180      | 180      |
| Contact Gender              | Male     | Male     | Male     | Male     | Male     | Male     | Male     | Male     |
| Termination Method          | Solder   | Solder   | Solder   | Solder   | Solder   | Solder   | Solder   | Solder   |
| Cable OD (mm <sup>2</sup> ) | 4 - 6.5  | 5 - 8    | 4 - 6.5  | 5 - 8    | 4 - 6.5  | 5 - 8    | 4 - 6.5  | 5 - 8    |

| Parameters                  | 206-5028 | 206-5029 | 206-5030 | 124-6731 | 124-6735 | 124-6732 | 124-6736 |
|-----------------------------|----------|----------|----------|----------|----------|----------|----------|
| Number of Contacts          | 6        | 7        | 9        | 2        | 2        | 3        | 3        |
| Current Rating              | 5        | 5        | 3        | 13       | 13       | 13       | 13       |
| Voltage Rating              | 125      | 125      | 125      | 250      | 250      | 250      | 250      |
| Contact Gender              | Male     | Male     | Male     | Female   | Female   | Female   | Female   |
| Termination Method          | Solder   | Solder   | Solder   | Solder   | Solder   | Solder   | Solder   |
| Cable OD (mm <sup>2</sup> ) | 5 - 8    | 5 - 8    | 5 - 8    | 4 - 6.5  | 5 - 8    | 4 - 6.5  | 5 - 8    |

| Parameters                  | 124-6733 | 124-6737 | 124-6734 | 124-6738 | 206-5031 | 206-5032 | 206-5033 |
|-----------------------------|----------|----------|----------|----------|----------|----------|----------|
| Number of Contacts          | 4        | 4        | 5        | 5        | 6        | 7        | 9        |
| Current Rating              | 5        | 5        | 5        | 5        | 5        | 5        | 3        |
| Voltage Rating              | 200      | 200      | 180      | 180      | 125      | 125      | 125      |
| Contact Gender              | Female   | Female   | Female   | Female   | Female   | Female   | Female   |
| Termination Method          | Solder   | Solder   | Solder   | Solder   | Solder   | Solder   | Solder   |
| Cable OD (mm <sup>2</sup> ) | 4 - 6.5  | 5 - 8    | 4 - 6.5  | 5 - 8    | 5 - 8    | 5 - 8    | 5 - 8    |