



## AC Series • Current Transformer Quick Reference Guide

### Low Cost 50/60Hz Current Transformers

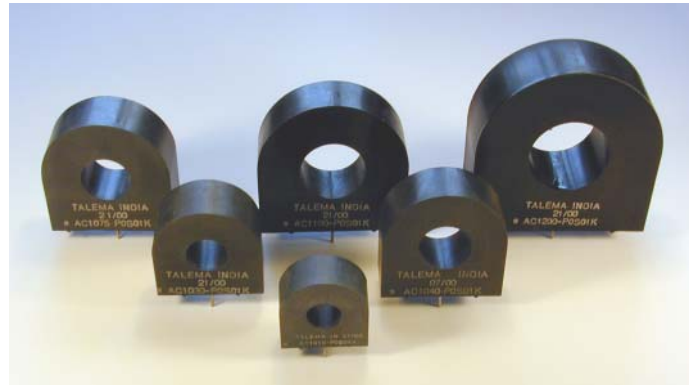
#### Applications

- Sensing Overload Current
- Ground fault detection
- Metering
- Analog to Digital Circuits



#### Features

- Excellent quality at extremely competitive price due to high volume production
- Manufactured in an ISO-9001:2000, TS-16949:2002 and ISO-14001:2004 certified Talema facility
- Fully RoHS compliant



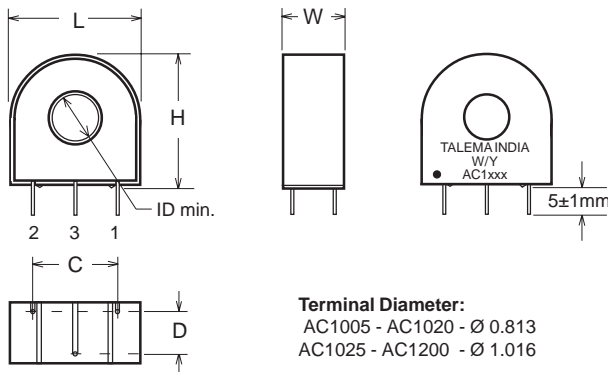
#### Electrical Specifications @ 20°C ambient

### AC Series • Standard Accuracy Current Transformers

Part No.	I <sub>p</sub> Amps	Turns Ratio	Terminating Resistor		DCR (Ohms) Nominal	RCF @ 10%	Volts/Amp @ rated I <sub>p</sub> for various loads (Ohms)				lex μArms	Vex Vrms	Net Weight (grams)	Case Dimensions - mm					
			Ohms	Watt			100	500	2K	5K				L	ID	H	W	C	D
AC1005	5	1000:1	100	0.0025	41.80	1.010	0.10	0.46	1.43	2.01	237	0.66	16.3	23.80	9.50	23.80	11.12	15.24	7.62
AC1010	10	1000:1	100	0.0100	41.80	1.010	0.10	0.45	1.10	1.42	386	1.32	16.3	23.80	9.50	23.80	11.12	15.24	7.62
AC1015	15	1000:1	100	0.0230	41.80	1.010	0.10	0.45	0.90	1.12	513	1.99	16.3	23.80	9.50	23.80	11.12	15.24	7.62
AC1020	20	1000:1	100	0.0400	41.80	1.010	0.10	0.43	0.76	0.93	628	2.65	16.3	23.80	9.50	23.80	11.12	15.24	7.62
AC1025	25	1000:1	100	0.0630	48.00	1.020	0.10	0.47	1.06	1.31	566	3.65	35.5	30.20	11.40	30.20	14.30	20.32	10.16
AC1030	30	1000:1	100	0.0900	48.00	1.020	0.10	0.47	0.95	1.16	644	4.38	35.5	30.20	11.40	30.20	14.30	20.32	10.16
AC1040	40	1000:1	100	0.1600	49.3	1.026	0.10	0.46	0.87	1.05	914	5.82	47.3	34.90	14.60	34.90	14.30	25.40	10.16
AC1050	50	1000:1	100	0.2500	49.3	1.026	0.10	0.43	0.76	0.90	1090	7.28	47.3	34.90	14.60	34.90	14.30	25.40	10.16
AC1060	60	1000:1	100	0.3600	24.00	1.001	0.10	0.44	0.66	0.76	1250	7.41	65.2	38.10	14.60	38.10	15.90	33.00	10.16
AC1075	75	1000:1	100	0.5700	24.00	1.001	0.10	0.39	0.57	0.65	1520	9.26	65.2	38.10	14.60	38.10	15.90	33.00	10.16
AC1100	100	1000:1	100	1.0000	21.30	1.001	0.10	0.34	0.50	0.56	1740	12.00	80.0	44.50	19.05	44.50	14.30	35.56	10.16
AC1150	150	1000:1	100	2.2500	11.00	1.002	0.10	0.37	0.50	0.55	1820	16.60	150.0	55.60	23.80	55.60	20.60	45.72	12.70
AC1200	200	1000:1	100	4.0000	11.00	1.002	0.10	0.31	0.41	0.45	2340	22.20	150.0	55.60	23.80	55.60	20.60	45.72	12.70

I<sub>p</sub>: Primary Current  
R<sub>L</sub>: Terminating Resistor

#### Dimensions



RCF: Ratio correction factor - Multiply current readings by this factor to compensate for transformer losses.

#### Notes:

- 1) Unless requested, the terminating resistor and the one-turn primary are not supplied
- 2) Pin 3: Normally for mechanical support only but will be used on center tapped designs
- 3) Each part number adjusted to be most accurate at specified load.

## Sales & Marketing, Design and Manufacturing Facilities

<http://www.talema-nuvotem.com>

#### Eastern Europe & Czech Republic

NT MAGNETICS s.r.o.  
Chebská 27  
322 00 Plzeň  
Tel: Int. + 420 377 - 338 351  
Fax: Int. + 420 377 - 338 350  
Email: [talema@talema.cz](mailto:talema@talema.cz)  
Web Site: [www.ntmagnetics.cz](http://www.ntmagnetics.cz)

#### Germany

TALEMAELEKTRONIK GMBH  
Sembdnerstr. 5, Postfach 2523  
82110 Germering  
Tel: Int. + 49 89 - 841 00 - 0  
Fax: Int. + 49 89 - 841 00 25  
Email: [info@talema.de](mailto:info@talema.de)

#### Ireland

NUVOTEMTEO.  
Crolly  
Co. Donegal  
Tel: Int. + 353 74 - 954 8666  
Fax: Int. + 353 74 - 954 8139  
Email: [info@nuvotem.com](mailto:info@nuvotem.com)

#### India

TALEMA ELECTRONIC PVT. LTD.  
Opposite the SIDCO Industrial Estate  
Gins Towers  
4/5S.H/1, Omalur Main Road  
Salem - 636 004, Tamil Nadu  
Tel: Int. + 91 427 - 244 1325  
Fax: Int. + 91 427 - 243 0034  
E-mail: [talema@talemaindia.com](mailto:talema@talemaindia.com)  
Web Site: [www.talemaindia.com](http://www.talemaindia.com)