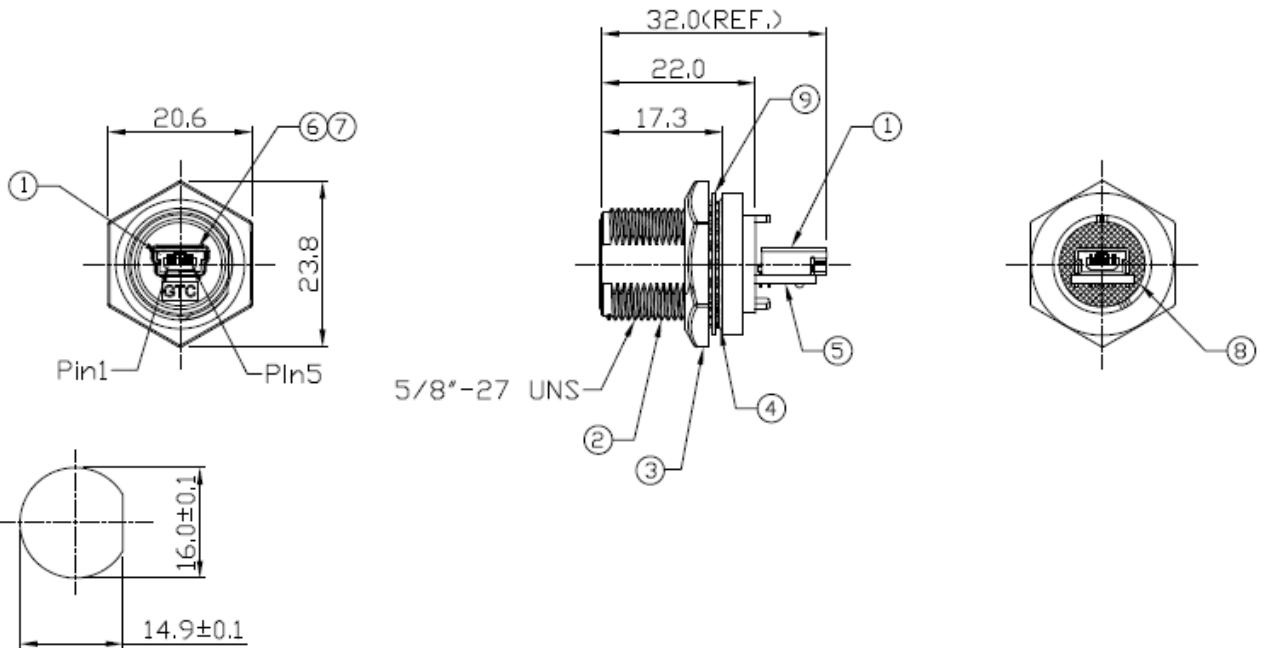


# Datasheet

## RS Pro Mini USB-B Metal C2 Panel Jack With Coupler Screw

RS Stock No: 122-3027



△ Front View  
Recommend  
Panel Cut-Out

Notes: (Unless Otherwise Specified)

1. Waterproof Rate: IP68,
2. Recommend Panel Thickness: 0.8 to 8.0 mm.
3. Recommend Torque: 19~20 Kgf-cm.
4. Mat'ng Cap P/N: GT1C5231X2/GT2C123012.
5. RoHS Compliant.

9	Metal Washer	Stainless Finish: —	1
8	Glue	Epoxy Color: Black	
7	Holder	Thermoplastic Color: Black	1
6	EMI Shielded Plate	Copper Alloy Finish: Ni Plated	1
5	PCB	FR-4 Color: —	1
4	O-Ring	Silicone Color: Red	1
3	Hex Nut	Zn Alloy Finish: Ni Plated	1
2	Housing	Zn Alloy Finish: Ni Plated	1
1	Mini USB-B Receptacle	Housing: Thermoplastic, Color: Black	2
		Contacts: Copper Alloy, Finish: Au Plated	
		Shell: Copper Alloy, Finish: Ni Plated	
Item	Part Name	Material / Finish	Qty