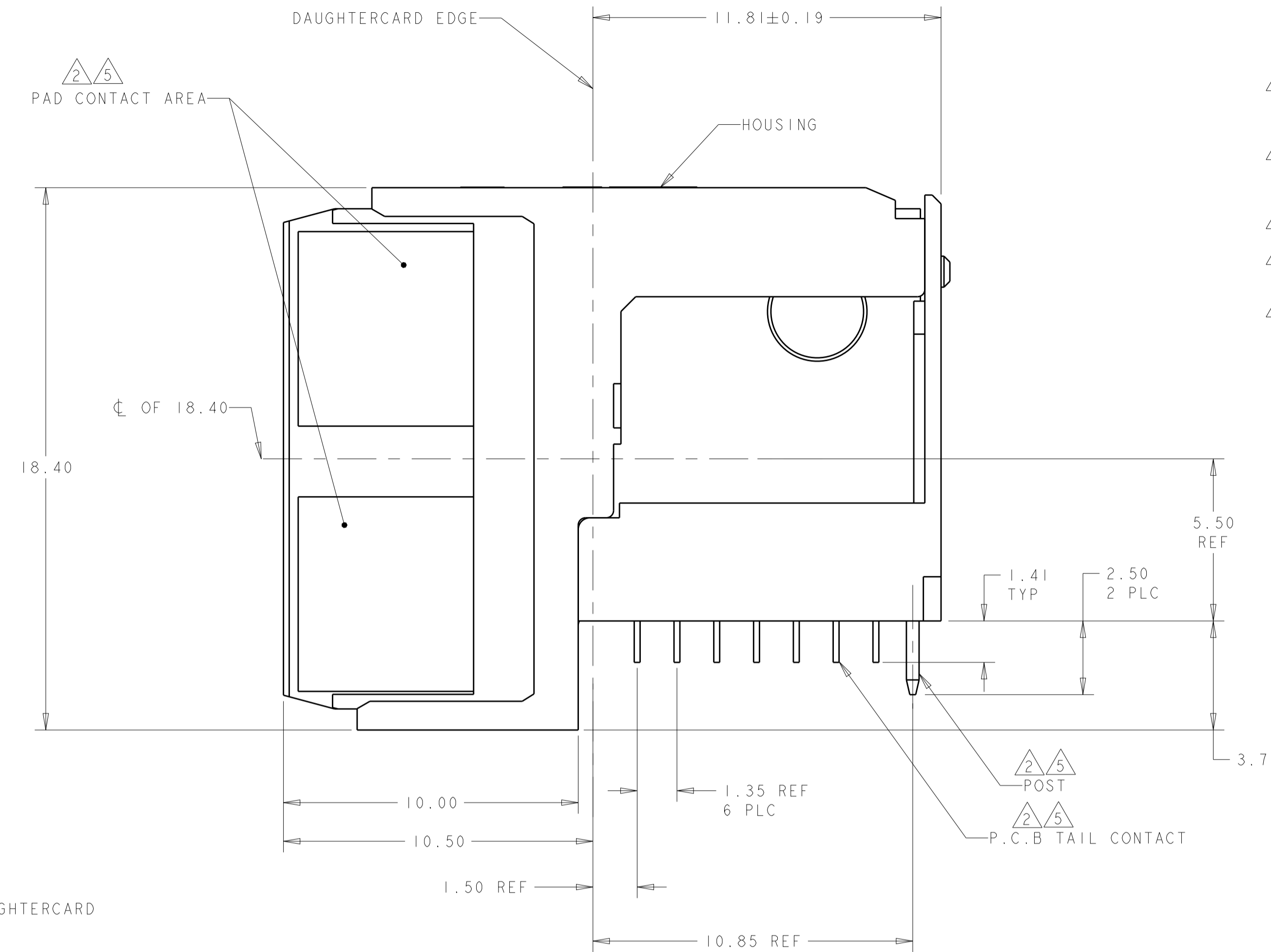
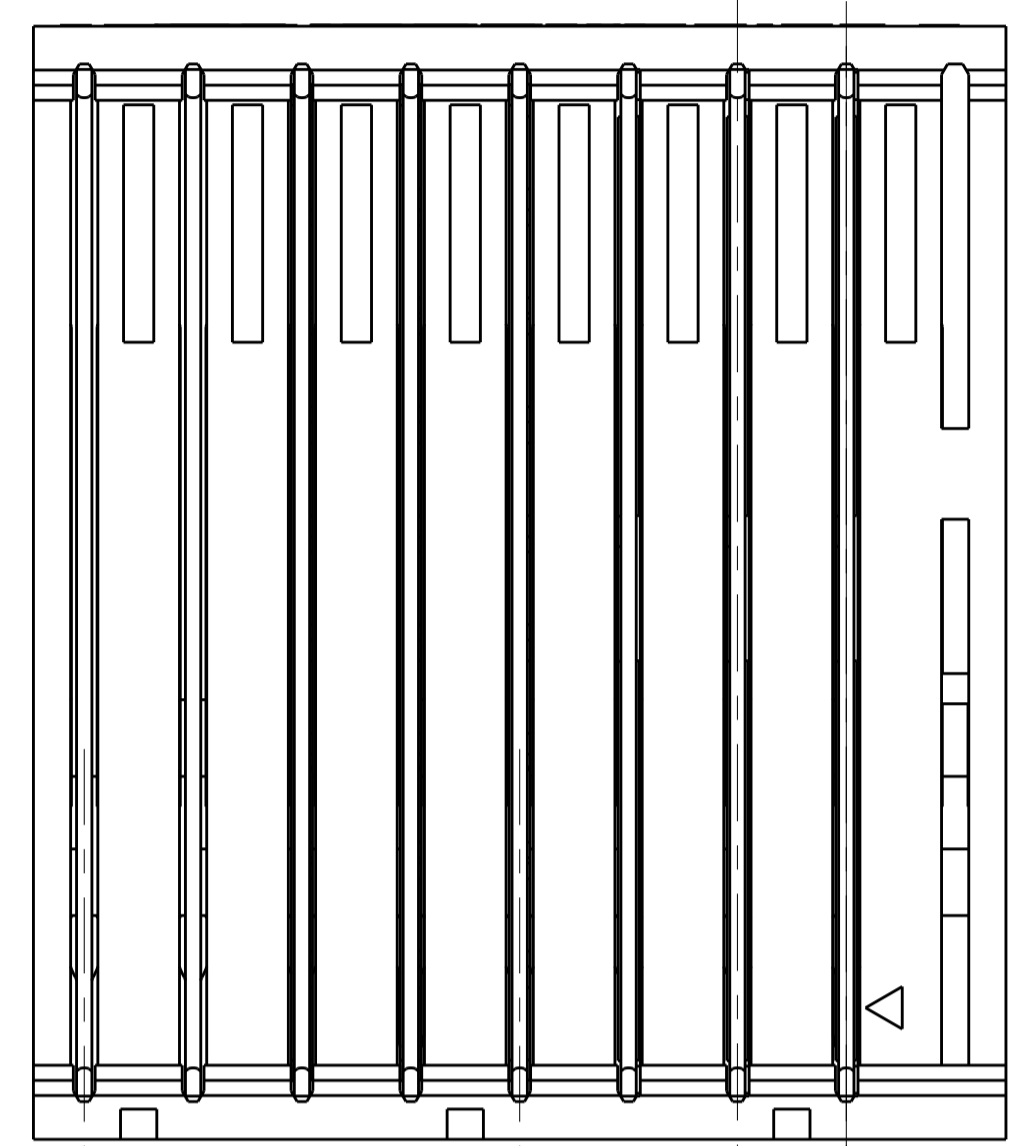


REVISIONS				
P.	LTN.	DESCRIPTION	DATE	APVD.
B		REV PER ECO 17-012001	8-17-17	CT DH

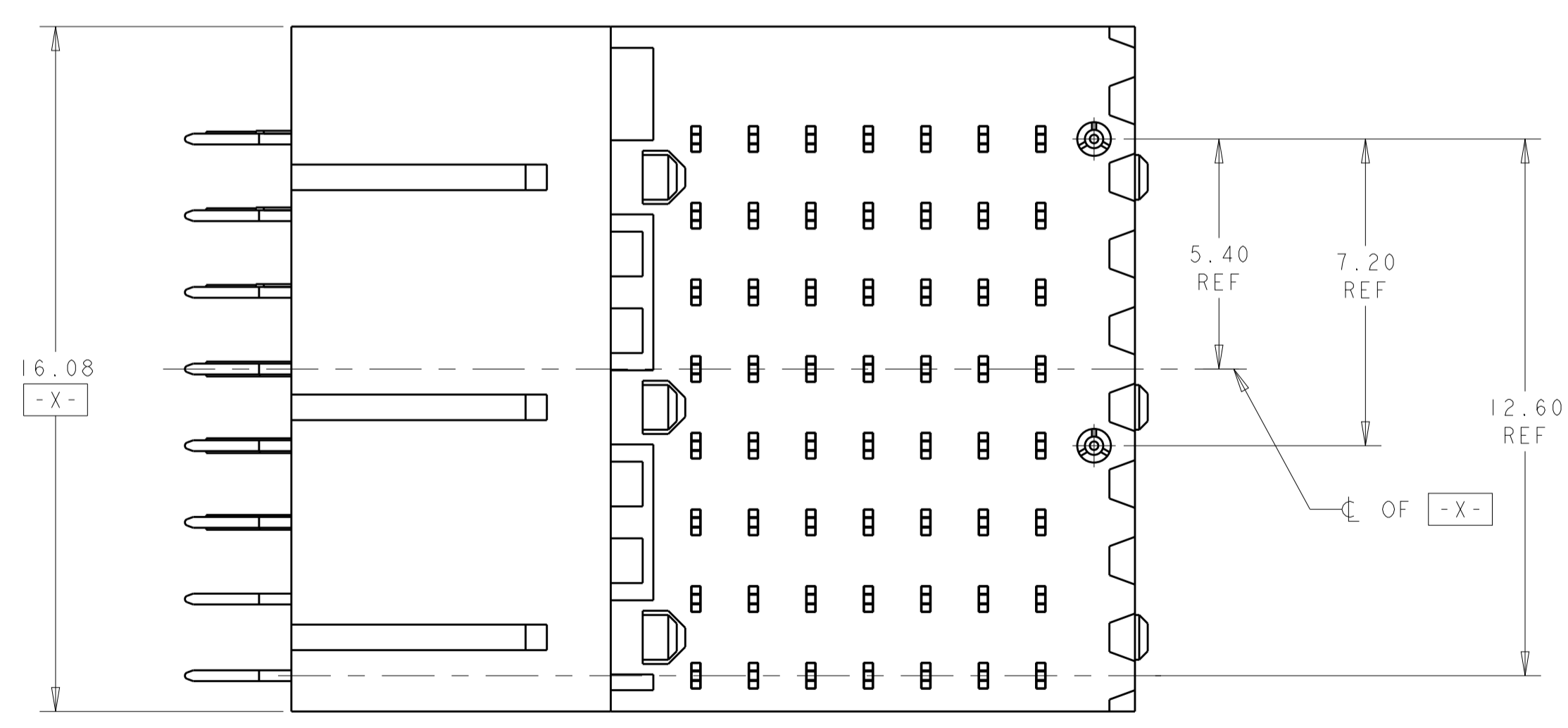
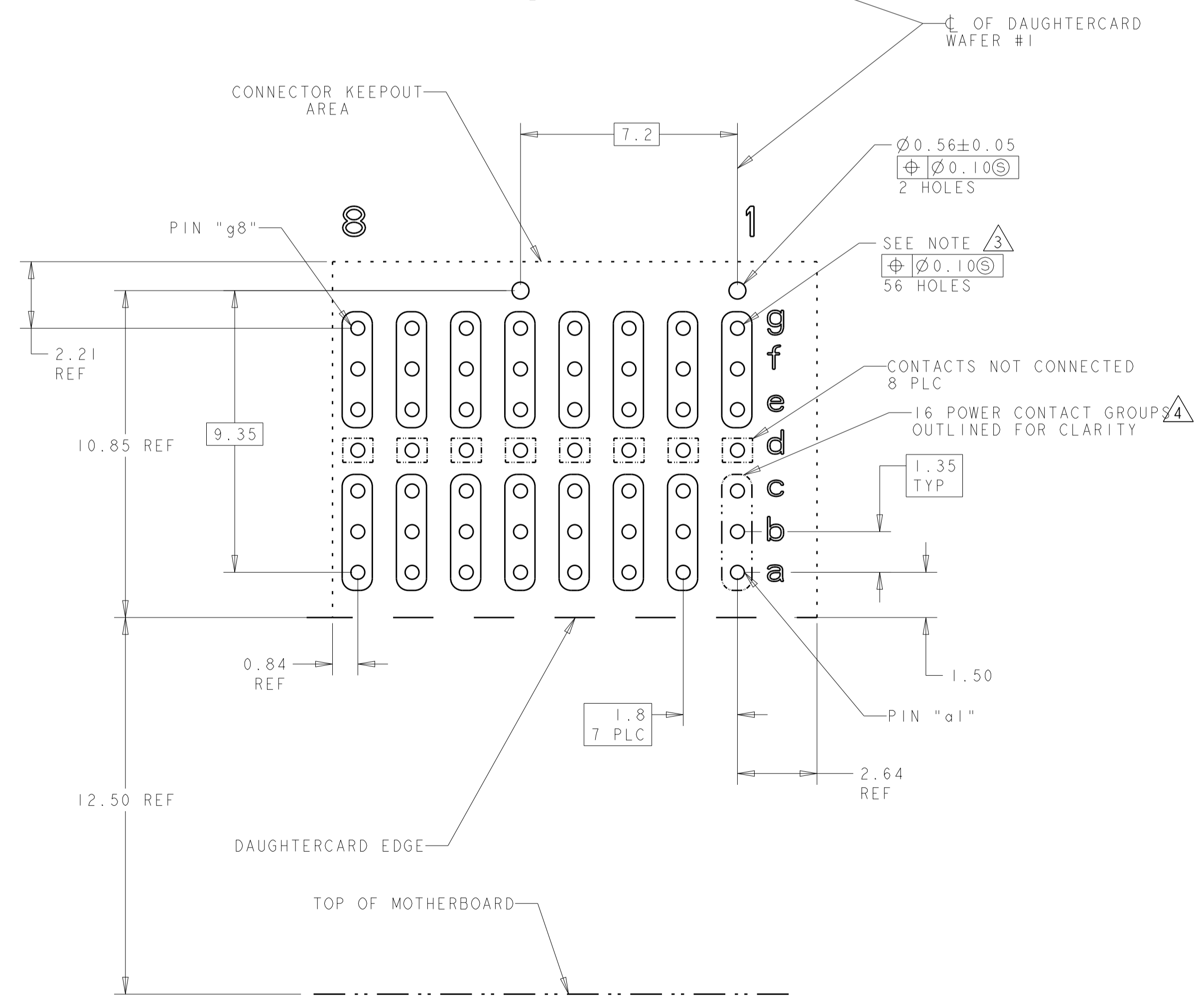


- ① HOUSING: LCP, UL94V0, COLOR: BLACK. CONTACT: PHOSPHOR BRONZE. POST: BRASS WIRE
- ② CONTACT: 1.27µm MIN GOLD IN PAD CONTACT AREA. 1.27µm MIN TIN-LEAD ON PCB TAIL OVER 1.27µm MIN. NICKEL OVER ALL. POST: 1.27µm MIN NICKEL PLATED.
- ③ PLATED THROUGH HOLE PER 114-13056, FIGURE 4
- ④ SEE TABLE 1 FOR INTERCONNECTIONS TO BACKPLANE CONNECTOR.
- ⑤ CONTACT: 1.27µm MIN GOLD IN PAD CONTACT AREA. 1.27µm MIN TIN ON PCB TAIL OVER 1.27µm MIN. NICKEL OVER ALL. POST: 1.27µm MIN NICKEL PLATED.

TABLE 1
INTERCONNECTIONS WITH BACKPLANE CONNECTOR 2102735-1

TYPICAL INTERCONNECTIONS FOR EACH COLUMN (WAFER): 1, 2, 3, 4, 5, 6, 7 & 8		
CONTACT USAGE	DAUGHTERCARD CONNECTOR PIN	BACKPLANE CONNECTOR PIN
POWER	ax, bx, cx	ax, bx, cx, dx
POWER	ex, fx, gx	fx, gx, hx, ix
NOT CONNECTED	dx	ex

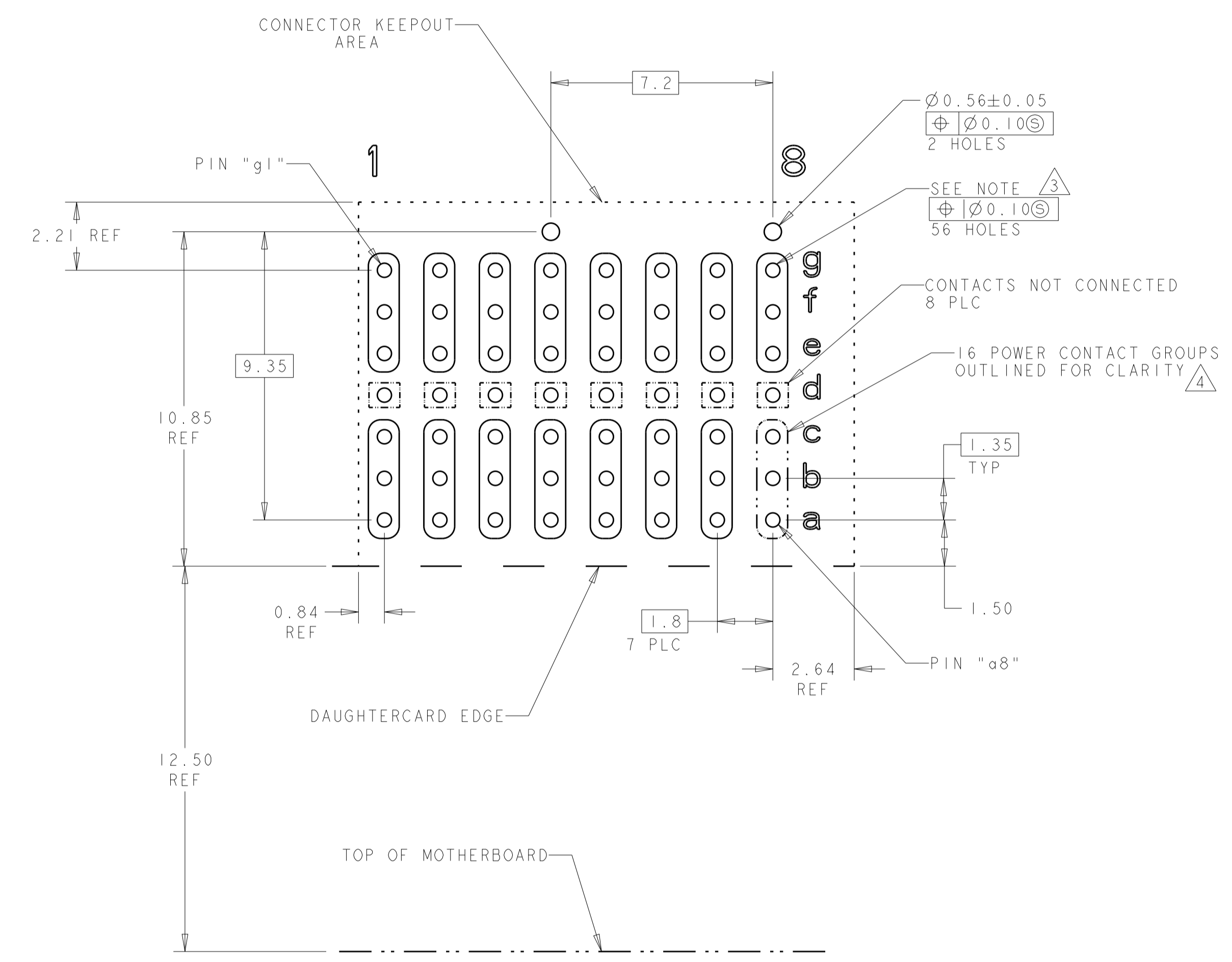
NOTE: "x" DESIGNATES THE COLUMN NUMBER



⑤	2289944-2
②	2289944-1
PLATING	PART NO

THIS DRAWING IS A CONTROLLED DOCUMENT.		OWN: C.C. THOMAS 1-15-15	TE Connectivity
DIMENSIONS: mm		CHK: D. HOANG 1-15-15	
TOLERANCES UNLESS OTHERWISE SPECIFIED:		APVD: D. HOANG 1-15-15	NAME: RIGHT-ANGLE PLUG ASSEMBLY, 7 ROW HALF LEFT END, 20.3mm, MULTIGIG RT 2-R, DAUGHTERCARD CONNECTOR, VITA 46
0 PLC ±0.13		PRODUCT SPEC: 108-2072	
1 PLC ±0.5		APPLICATION SPEC: 114-13056	SIZE: CAGE CODE DRAWING NO. RESTRICTED TO A100779C=2289944
2 PLC ±0.13		WEIGHT: 5.41g	
3 PLC ±0.13		CUSTOMER DRAWING	SCALE: 8:1 SHEET 1 OF 2 REV B
4 PLC ±0.13			
5 PLC ±0.13			
ANGLES ±1°			
MATERIAL: SEE TABLE			

REVISIONS				
P.	LTN	DESCRIPTION	DATE	APVD
-	-	SEE SHEET 1	-	-



P.C. BOARD LAYOUT
FOR TRANSITION MODULE
(CONNECTOR SIDE)
SCALE 8:1

THIS DRAWING IS A CONTROLLED DOCUMENT.		DWN C.C. THOMAS 1-15-15	TE Connectivity
DIMENSIONS:		CHK D. HOANG 1-15-15	
mm	TOLERANCES UNLESS OTHERWISE SPECIFIED:	APVD D. HOANG 1-15-15	NAME RIGHT-ANGLE PLUG ASSEMBLY, 7 ROW HALF LEFT END, 20.3mm, MULTIGIG RT 2-R, DAUGHTERCARD CONNECTOR, VITA 46
	0 PLC ± 1 PLC ±0.5 2 PLC ±0.13 3 PLC ± 4 PLC ± ANGLES ±1°	PRODUCT SPEC 108-2072	SIZE A100779
MATERIAL	FINISH	APPLICATION SPEC 114-13056	RESTRICTED TO
SEE TABLE	CUSTOMER DRAWING	WEIGHT 5.41g	SCALE 8:1 SHEET 2 OF 2 REV B