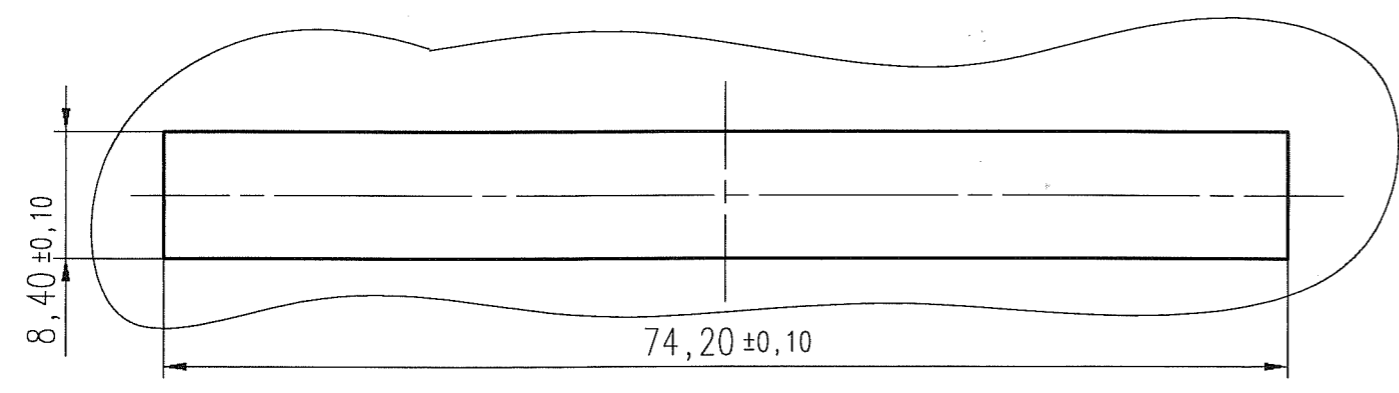
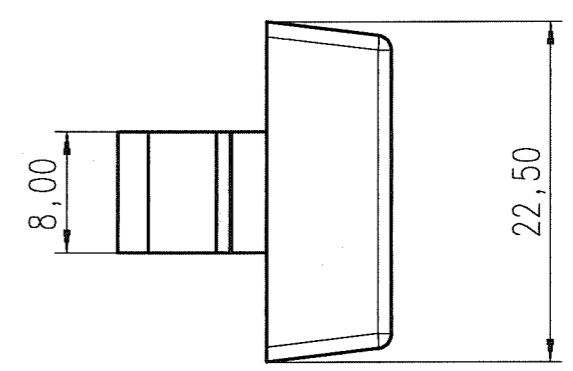
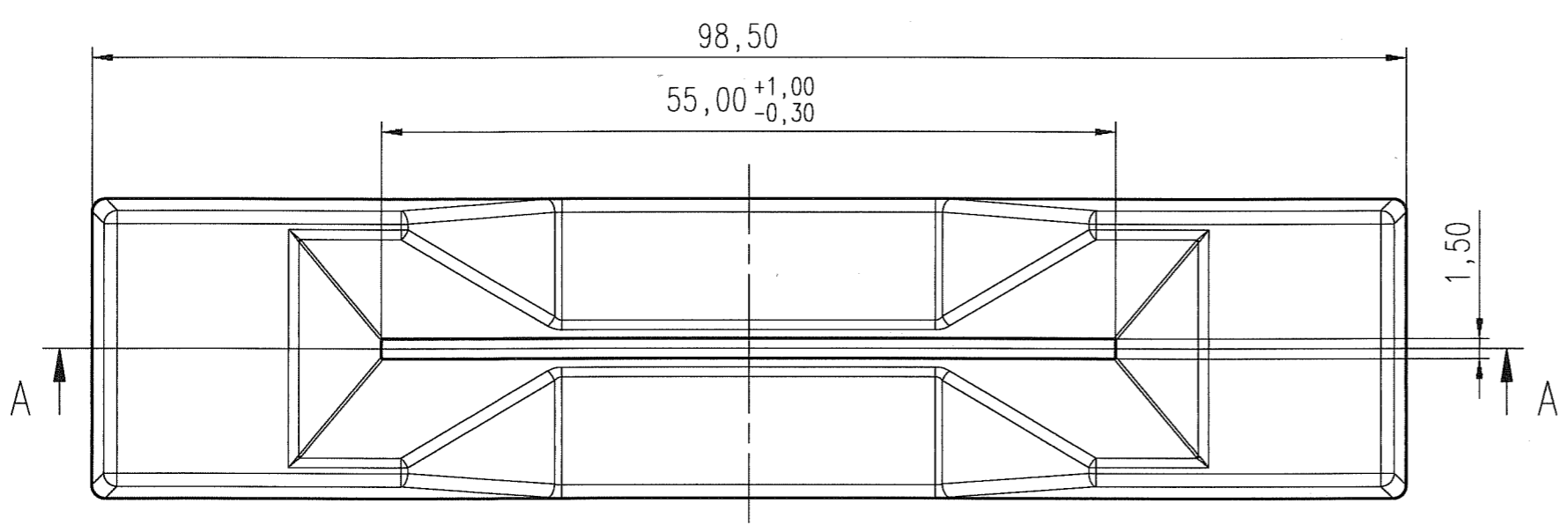
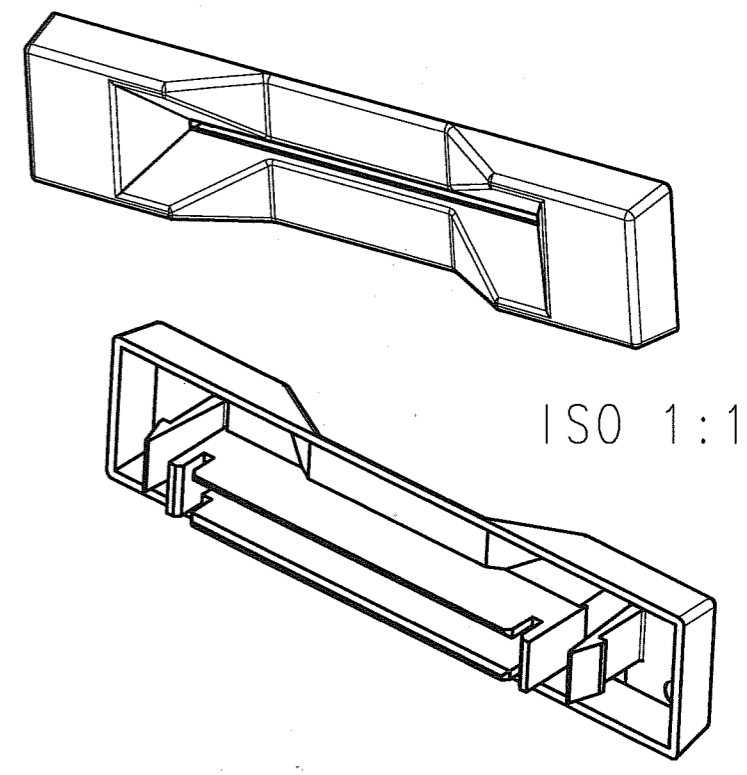
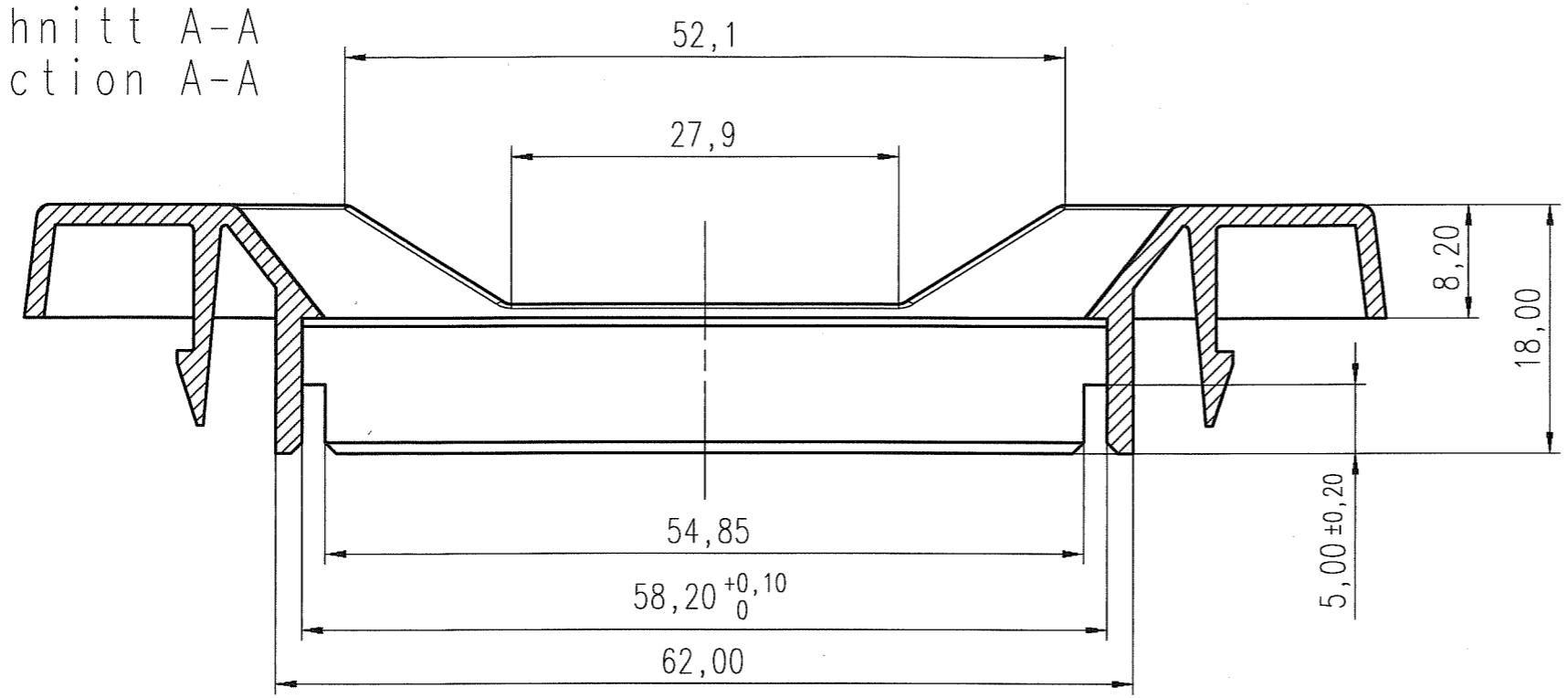


or communication of the contents thereof, are forbidden without express authority. Offenders are liable to the payment of damages. All rights are reserved in the event of the grant of a patent or the registration of the utility model or design.

Schnitt A-A
section A-A



Frontplatten-Ausschnitt
Panel cutout

Dicke: 2,3 ±0,1mm
thickness

Werkstoff/material: ABS schwarz/black

Gewicht (errechnet)/Calc WT: 9		Zul. Abw./Tolerances: ISO 2768-mL		Maßstab/Scale 2:1 (1:1)		A3			
Prüfmaß/Testdimension		DIN 6784		CUSTOMER DRAWING					
Teileindex Partindexnumber		04		Datum/Date		Name		Einführkragen card guide	
		Gez. 19.04.		Maiterth					
		Gepr.		34. 2. 20					
		Checked							
		Amphenol-Tuchel		M		C702 N11 141 E2		Blatt/Sheet	
01		200400250		19.04.04		EM		1	
Index		Änderung/Description		Datum/Date		Name		1 Bl.	
								Ers. f./Similar to:	