



Product designation		Changeover Switch	
Product type designation		GLC	
Number of poles		Nr.	3
Operating voltage type		AC	
Contact characteristics			
IEC Conventional free air thermal current I _{th}		A	630
Rated insulation voltage U _i IEC/EN		V	1000
Rated impulse withstand voltage U _{imp}		kV	12
Operating current I _e			
AC31B		400V	A 630
		500V	A 630
		690V	A 630
AC32B		400V	A 630
		500V	A 500
		690V	A 500
AC33B		400V	A 630
		500V	A 500
		690V	A 500
Power dissipation per pole max		W	41
Rated operational power AC23A		400V	kW 355
		690V	kW 500
Rated short time current (1s) I _{cs} (rms)		kA	12.5
Rated short time current (0.3s) I _{cs} (rms)		kA	20
Conditional short-circuit current (rms)		kA	80
Short-circuit protection with fuse		Class/A	gG/630
Making capacity AC23A 400V		A	6300
Breaking capacity AC23A 400V		A	5040
Mechanical life		cycles	10000
Mechanical features			
Operating position		normal allowable	Vertical plan Any
Fixing		Screw	
Terminals		type	M10 x 25
Tightening torque for terminals		min	Nm 30
		max	Nm 37
		min	lbin 265
		max	lbin 327

Conductor section

IEC min	mm ²	1X182
IEC max	mm ²	2X185
AWG/kcmil min		1X400
AWG/kcmil max		2X350

UL technical data

UL Standard	UL1008
-------------	--------

Ambient conditions

Operating temperature

min	°C	-25
max	°C	+55

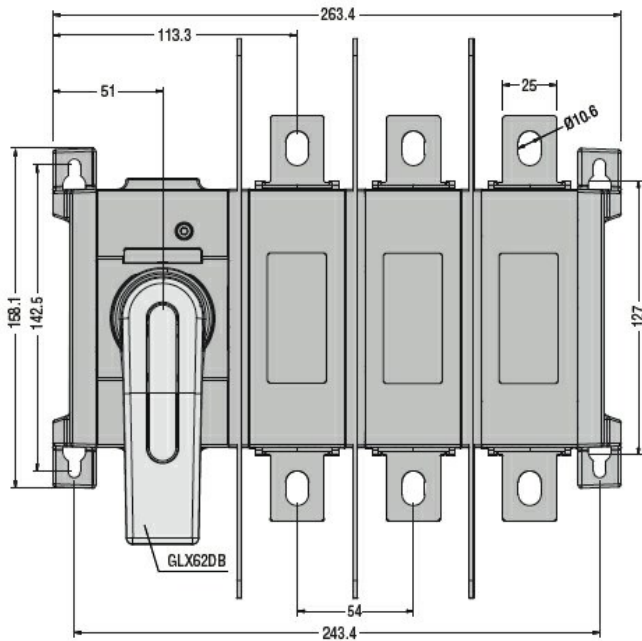
Storage temperature

min	°C	-40
max	°C	+70

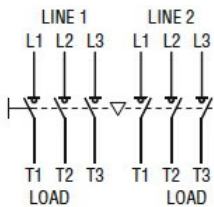
Max altitude

m	3000
---	------

Dimensions



Wiring diagrams



Certifications and compliance

Compliance

- IEC/EN 60947-1
- IEC/EN 60947-3
- IEC/EN 60947-6-1

ETIM classification

ETIM 8.0

EC000216 -
Switch
disconnecter