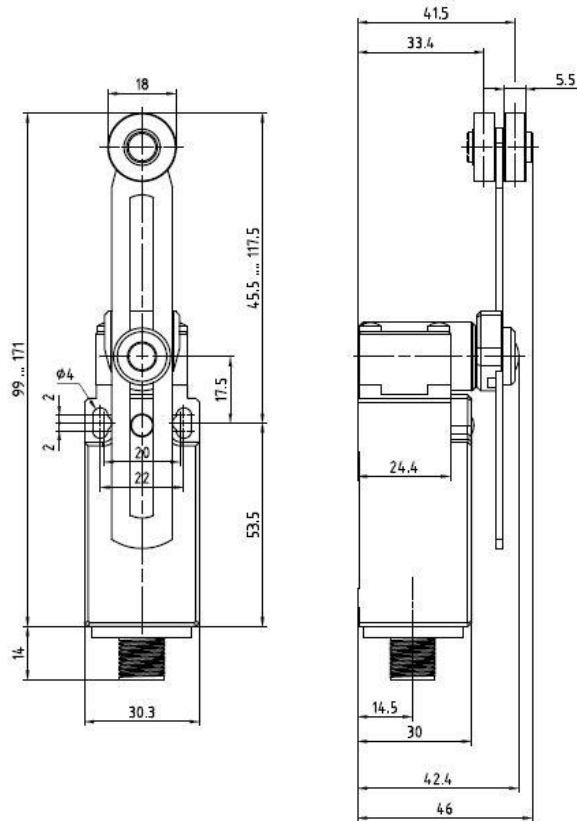
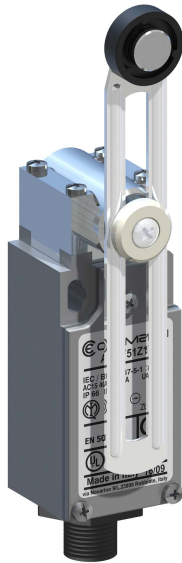


Datasheet

Stock No: 153-3970

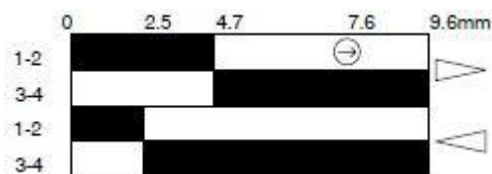
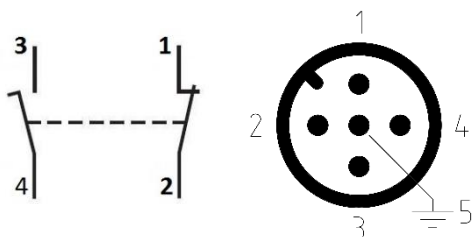
RS Pro 1NO + 1NC Adjustable Roller Lever Limit Switch



- 5 Pole M12 Connector
- Metal Casing
- 30 mm Width
- IP66
- Adjustable Nylon \varnothing 18mm Roller Lever
- Snap Action Contacts (1NO + 1NC)



Operating Diagrams



Positive opening operations according to IEC 60947-5-1

Technical Data

| | | | Metal casing |
|---|---|---|---------------|
| Standards | Devices conform with standards IEC 60947-5-1 and EN 60947-5-1 | | |
| Air temperature | | | |
| – during operation | °C | | – 25 ... + 70 |
| – for storage | °C | | – 30 ... + 80 |
| Protection against electrical shocks (according to IEC 61140) | Class I | | |
| Protection degree (According to IEC 60529 and EN 60529) | IP66 | | |
| Rated insulation voltage U_i | 250 V (pollution degree 3) | | |
| – according to IEC 60947-1 and EN 60947-1 | | | |
| Rated impulse withstand voltage U_{imp} | KV | | 2.5 |
| (according to IEC 60947-1 and EN 60947-1) | | | |
| Conventional free air thermal current I_{th} | A | | 4 |
| (according to IEC 60947-5-1 and EN 60947-5-1) $\theta < 40^\circ\text{C}$ | | | |
| Short-circuit protection | A | | 4 |
| $U_e < 500\text{V a.c.}$ – gG (gl) type fuses | | | |
| Rated operational current | | | |
| I_e / AC-15 (according to IEC 60947-5-1) | 24V - 50/60 Hz | A | 4 |
| | 120V - 50/60 Hz | A | 4 |
| | 400V - 50/60 Hz | A | 4 |
| I_e / DC-13 (according to IEC 60947-5-1) | 24V - d.c. | A | 4 |
| | 125V - d.c. | A | 0.55 |
| | 250V - d.c. | A | 0.4 |
| Switching frequency | Cycles/h | | 3600 |
| Load factor | | | 0.5 |
| Resistance between contacts | m Ω | | 25 |
| Connecting terminals | M12 – 5 poles – Male connector | | |
| Mechanical durability | Millions of operations | | 10 |