

P	LTR	DESCRIPTION	DATE	DWN	APVD
	A	ECN-25-358921;GTP	12DEC2025	TP	WILL

NOTES:

ALL DIMENSIONS ARE NOMINAL FOR REFERENCE ONLY UNLESS OTHERWISE STATED.

RoHS: COMPLIANT.

SPECIFICATIONS:

IMPEDANCE: 75Ω

FREQUENCY: DC to 12GHz

VSWR: <1.30 MAX

RL: 17.69 dB MIN

INSERTION LOSS: 0.15 dB MAX.

CONTACT RESISTANCE:

CENTER: 3.0 MΩ MAX.

OUTER: 2.0 MΩ MAX.

VOLTAGE RATING: 500 VRMS MAX

DIELECTRIC WITHSTANDING VOLTAGE: 1500V MAX

INSULATION RESISTANCE: 5000MΩ

MECHANICAL CHARACTERISTICS

DURABILITY: 500 CYCLES.

ENGAGEMENT AND DISENGAGEMENT FORCE:

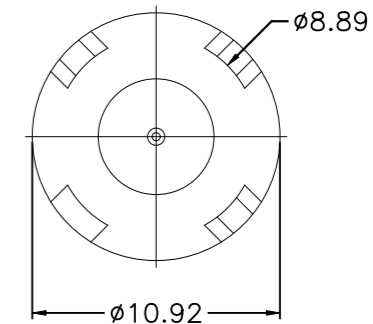
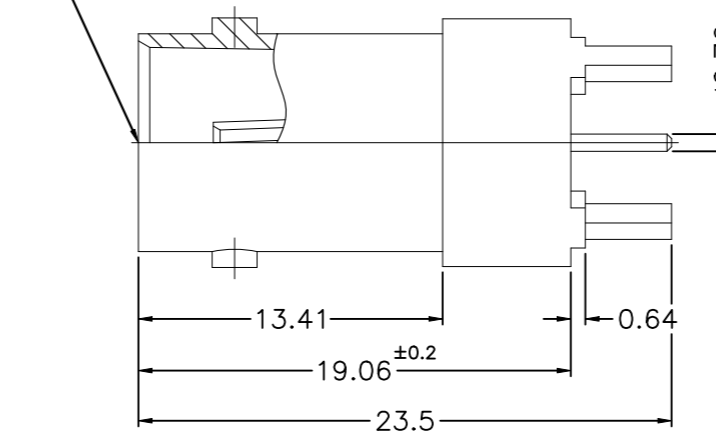
ENGAGEMENT: 2.5 in-lbs MAX.

DISENGAGEMENT: 3 lbs MAX.

ENVIRONMENTAL PARAMETER

TEMPERATURE RANGE: -65°C TO +165°C

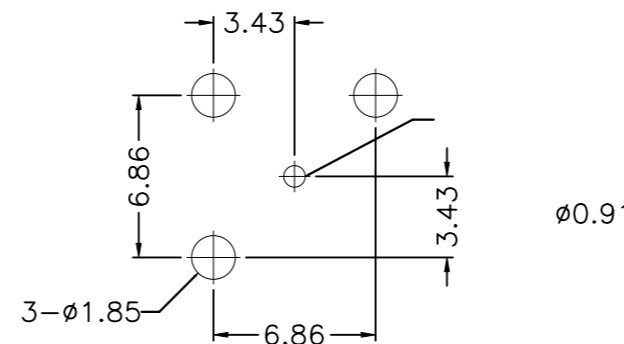
INTERFACE PER MIL-STD 348, BNC JACK



NOTES:

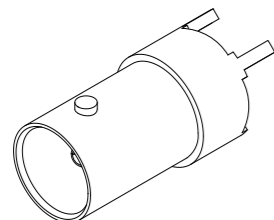
FINISH (PLATING THICKNESS IN MICRO-INCHES)

- 100 MICROINCHES MIN NICKEL PLATED.
50 MICROINCHES MIN OVER COPPER UNDERPLATED
- 3 MICROINCHES MIN GOLD PLATED,
100 MICROINCHES MIN OVER NI-P (WT%10) NICKEL UNDERPLATED.
- 30 MICROINCHES MIN GOLD PLATED,
50 MICROINCHES MIN OVER NICKEL UNDERPLATED.
50 MICROINCHES MIN OVER COPPER UNDERPLATED.



RECOMMENDED MOUNTING HOLE

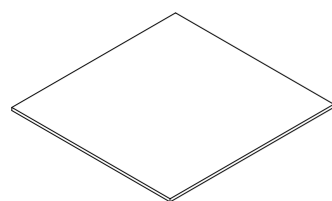
QUANTITY PER ASSY	PARTS LIST				
1		NOTE 3	BERYLLIUM COPPER	CONTACT PIN	4
1	1	NOTE 2	BERYLLIUM COPPER	CONTACT PIN	3
1	1	NATURAL	PTFE	INSULATOR	2
1	1	NOTE 1	BRASS	BODY	1
2519028-2	2519028-1	FINISH/PLATING	MATERIAL	DESCRIPTION	ITEM



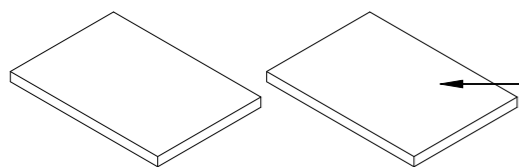
THIS DRAWING IS A CONTROLLED DOCUMENT.		DWN TP 30JUL2025	TE Connectivity Ltd.		
DIMENSIONS: mm		CHK TP 30JUL2025			
TOLERANCES UNLESS OTHERWISE SPECIFIED:		APVD TP 30JUL2025	NAME		
0 PLC ± 0.3		WILL	12G SDI 75 ohm BNC Jack St PCB Thru Hole		
1 PLC ± 0.2		PRODUCT SPEC	-		
2 PLC ± 0.1		APPLICATION SPEC	-		
3 PLC ± 0.05		WEIGHT 6.55 G	SIZE A3	CAGE CODE 00779	DRAWING NO C-2519028
4 PLC ± -		CUSTOMER DRAWING	RESTRICTED TO -		
ANGLES ± 1		SCALE 1:1	SHEET 1 OF 2		REV A
FINISH -					

REVISIONS

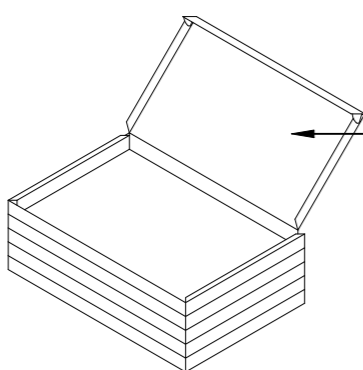
P	LTR	DESCRIPTION	DATE	DWN	APVD
-	-	SEE SHEET 1	-	-	-



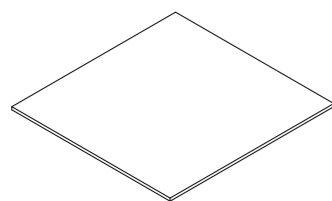
Place a cardboard on the top of the boxes.



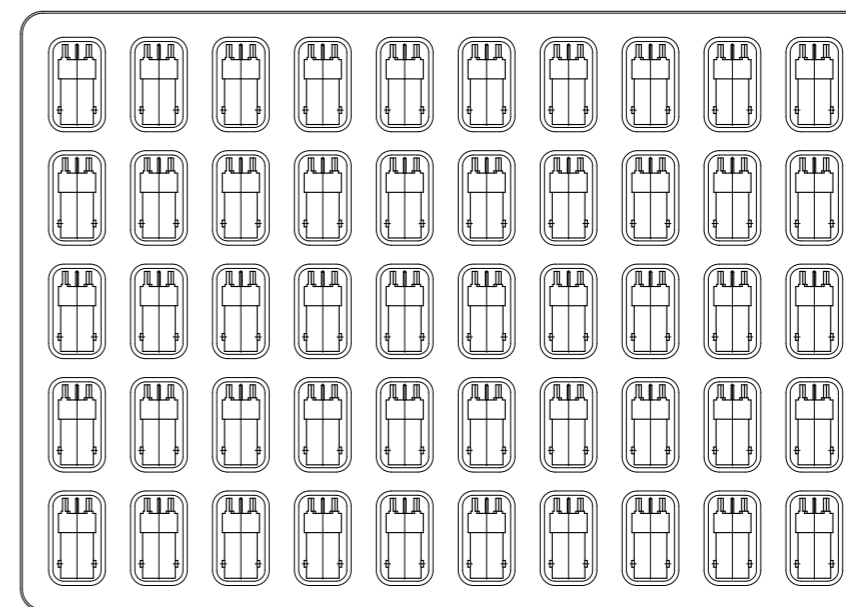
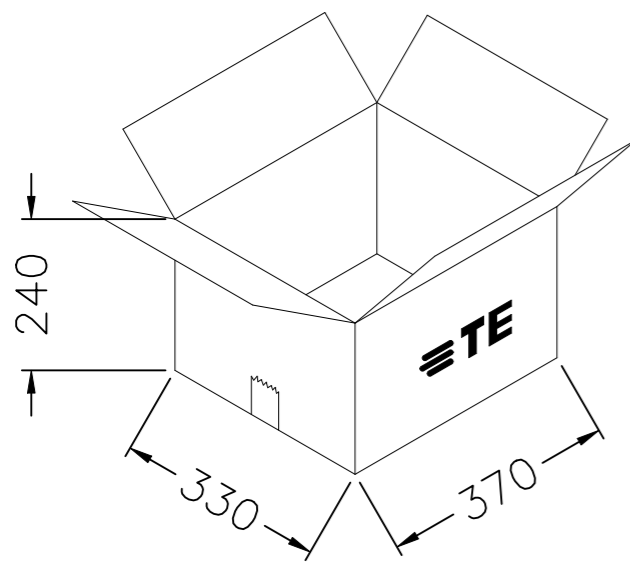
Pack 50 pcs per tray.



There is 2 tray per inner box, total of 10 inner boxes.



Place a cardboard on the bottom of the boxes.



NOTE: 1. 50 pcs / Tray, 2 tray = 1 inner box
2. 5 inner box = 500 pcs

THIS DRAWING IS A CONTROLLED DOCUMENT.		DWN TP 30JUL2025	TE Connectivity Ltd.			
DIMENSIONS: mm		CHK TP 30JUL2025				
TOLERANCES UNLESS OTHERWISE SPECIFIED:		APVD WILL 30JUL2025	NAME 12G SDI 75 ohm BNC Jack St PCB Thru Hole			
<ul style="list-style-type: none"> 0 PLC ± 0.3 1 PLC ± 0.2 2 PLC ± 0.1 3 PLC ± 0.05 4 PLC ± - ± 1 ANGLES ± - ± 1 		PRODUCT SPEC -	RESTRICTED TO -			
MATERIAL SEE TABLE		FINISH -	APPLICATION SPEC -	SIZE A3	CAGE CODE 00779	DRAWING NO C-2519028
		WEIGHT -	SCALE 1:1		SHEET 2 OF 2	REV A
CUSTOMER DRAWING						