

IP66 General Purpose Enclosures

Technical Specification

If you require light protection against water ingress, this range could be ideal. With an IP66 seal, this range is dust proof, splash proof and protects from powerful jets of water, as per BS EN 60529:1992.

15 sizes are available, complete with silicone gasket, captive screws, earth screws and PCB guides on selected sizes. Nine sizes are also available with flanges for easy mounting.

Deltron Enclosures can customise any enclosure in our UK factory, including machining, painting, component sourcing and installation to meet your specification, save time and cut your costs. View our Services page on our website for more information.



For more information:

Phone: +44 (0)1724 273206

Features:

- IP66 Rated
- Manufactured from ADC12
- Certified to BS EN 60529:1992
- RoHS Compliant
- Silicone Seal

Typical Applications:

- Test & Measurement Instrumentation
- Medical Tools
- Transportation Equipment
- Industrial Controls
- Lighting Applications

Available Dimensions (mm):

89 x 35 x 31*	114 x 64 x 31*
114 x 89 x 56*	114 x 65 x 56*
172 x 121 x 56*	172 x 121 x 107*
222 x 146 x 56*	222 x 146 x 107
275 x 175 x 66	140 x 102 x 77*
165 x 127 x 77	120 x 100 x 36*
250 x 250 x 100	80 x 55 x 26
60 x 55 x 31	*= Available with Flanges

Finishes: Plain Aluminium, Powder or Nylon coat.

Coating Colours: Grey, Blue or Black.

Spares: Gaskets and Screws.

Or choose to have your enclosure customised for bespoke finishes and colours.

DEM Manufacturing

Deltron Emcon House,
Hargreaves Way,
Sawcliffe Industrial Park,
Scunthorpe, DN15 8RF.

DELTRON Enclosures

Web: www.dem-uk.com/deltron-enclosures

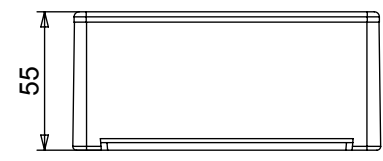
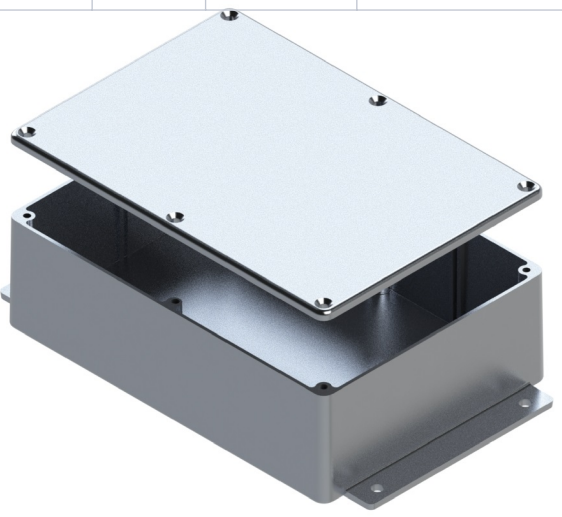
Tel: +44 (0) 1724 273206

Fax: +44 (0) 1724 280353

Email: sales@dem-uk.com

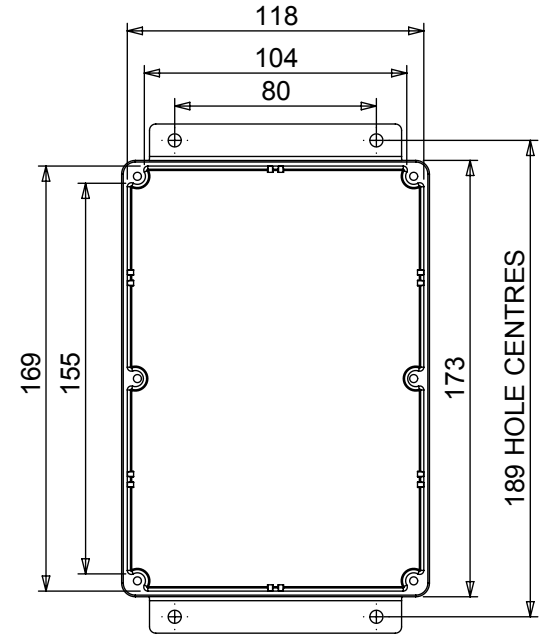
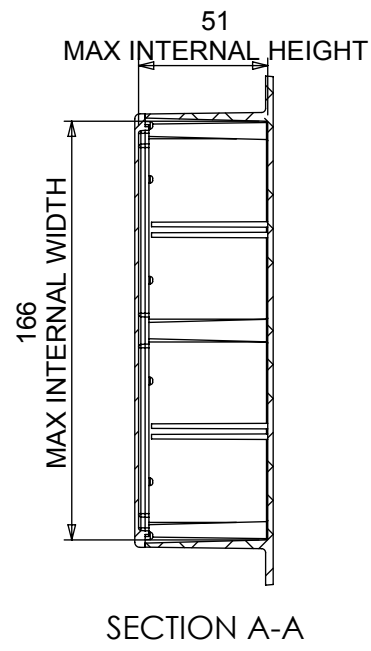
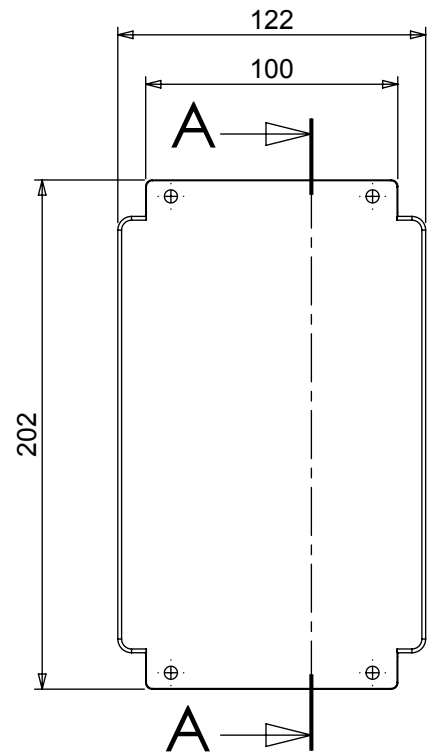
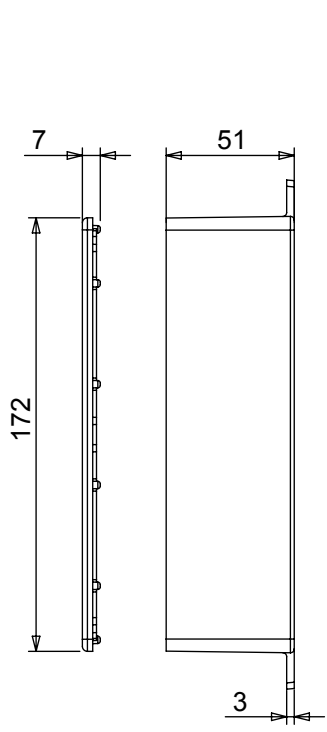
REV	1	DATE	06 Jun 2017	ECN NUMBER	C03614	ECR COMMENT	TORQUE SETTINGS ADDED
003							

FLG LENGTH	LENGTH	WIDTH	HEIGHT	SEAL	TORQUE SETTINGS	PLAIN	POWDER COAT	NYLON COAT
202	173	122	55	NONE	NONE	455-0050	457-0050*	458-0050*
				IP66	0.3Nm	456-0050	463-0050*	464-0050*
				IP68	0.7Nm	483-0050	484-0050*	485-0050*
				IP68 EMI/RFI	1.0Nm	483-C050	484-C050*	485-C050*
BOX DIMENSION IN MM				COLOUR OPTION - COLOUR SUFFIX * GREY=A / BLUE=B / BLACK = E				



STANDARD DUTY ENCLOSURE

- Material grade ADC12/LM2 Die Cast Alloy
- IP Rated available
- Min wall thickness 1.5mm
- Min lid thickness 1.5mm
- Fine textured powder coating and smooth nylon
- Screws stainless steel
- IP68 Tested to 5 metres for 1 hour
- Includes internal PCB guides
- Enclosures can be supplied fully factory customised to your specification



DELTRON Components
DELTRON Enclosures
ROXBURGH EMC

b'es **DEM**
Alpha3 manufacturing

+44(0)1724 273200
www.dem-uk.com

PROPRIETARY AND CONFIDENTIAL:
THE INFORMATION CONTAINED IN THIS DRAWING IS THE SOLE PROPERTY OF ALPHA 3 MANUFACTURING. ANY REPRODUCTION IN PART OR AS A WHOLE WITHOUT THE WRITTEN PERMISSION OF ALPHA 3 MANUFACTURING IS PROHIBITED.

DEM Manufacturing is a division of Alpha 3 Manufacturing LTD
DEM Manufacturing, Deltron Emcon House, Hargreaves Way,
Sawcliffe Ind. Park, Scunthorpe, North Lincolnshire, DN15 8RF, UK

UNLESS OTHERWISE SPECIFIED DIMENSIONS ARE IN MILLIMETRES
LINEAR & RADIAL TOLERANCE:
NO DECIMAL PLACES
1 DECIMAL PLACE
2 DECIMAL PLACES
ANGULAR TOLERANCE:

IF IN DOUBT ASK! DO NOT SCALE DRAWING!

FINISH: SEE NOTES
MATERIAL: ALUMINIUM ALLOY

THE FINISHED PRODUCT SHOULD BE CLEAN AND FREE FROM ALL LIQUIDS AND DEBRIS. SURFACES SHOULD BE OF UNIFORM APPEARANCE FREE FROM SHARP EDGES, BURRS AND CORROSION

AUTHOR: Alex Yau
EDITOR: DT
APPROVER: DT

THIRD ANGLE PROJECTION

TITLE: FLANGED ENCLOSURE
FILE: E FLG ENCLOSURE
PART: BOX & LID ASSEMBLY

SHEET 1 OF 1
SCALE 1:3 A4

ISSUE/REV: 003
VERSION: 10
RELEASED
EDIT DATE: 06 Jun 2017