

Standard Coalescing and Adsorber Filter P33

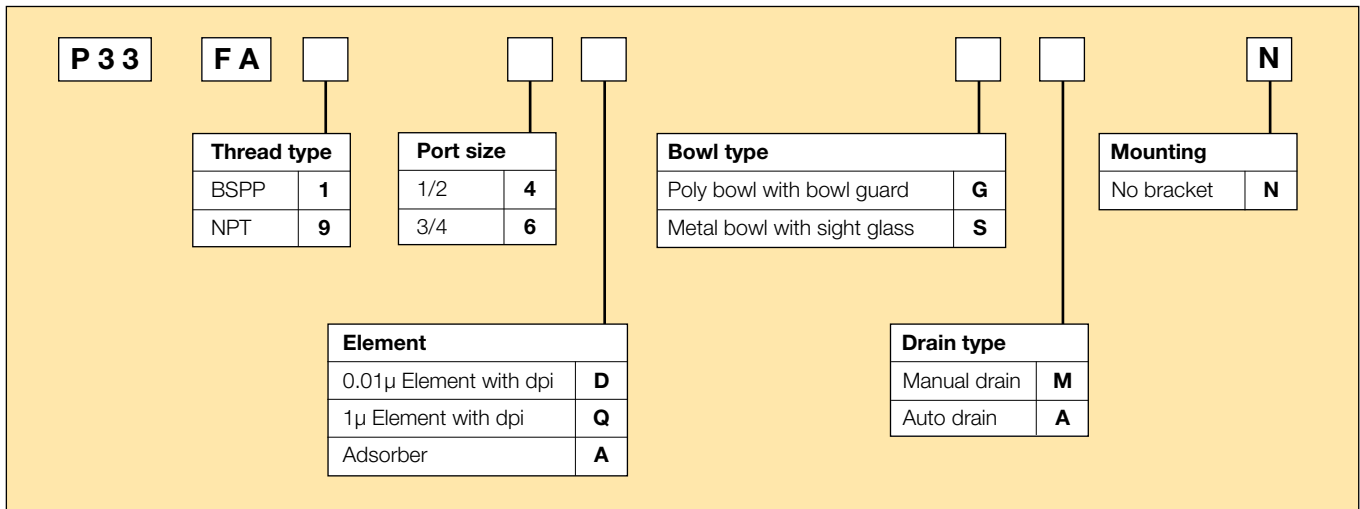


- Integral 1/2 or 3/4 ports (BSPP & NPT)
- Removes liquid aerosols and sub micron particles
- Oil free air for critical applications, such as air gauging, pneumatic instrumentation and control
- Differential Pressure Indicator (DPI) standard on Coalescing Filters
- Positive bayonet latch to ensure correct & safe fitting
- Adsorbing activated carbon element removes oil vapours and most hydrocarbons

Note: To optimise the life of coalescing element, it is advisable to install a P33F pre-filter with a 5 micron element upstream of the coalescing filter.

To optimise the life of an Adsorber it is advisable to install a P33 Coalescing Filter upstream of the Adsorber. Adsorber element should be replaced approx. every 1000 hours of service

Options:



Port size	Description	Order Code	Flow dm ³ /s *	(scfm) *	Max bar	(psi)	Height mm (Inches)	Width mm (Inches)	Depth mm (Inches)
1/2"	Poly bowl - 0.01 Micron, Manual drain	P33FA14DGMN	20	(42)	10	(150)	235 (9.3)	73 (2.9)	73 (2.9)
1/2"	Poly bowl - 0.01 Micron, Auto drain	P33FA14DGAN	20	(42)	10	(150)	229 (9.0)	73 (2.9)	73 (2.9)
1/2"	Metal bowl sight glass - 0.01 Micron, Manual drain	P33FA14DSMN	20	(42)	17	(250)	235 (9.3)	73 (2.9)	73 (2.9)
1/2"	Metal bowl sight glass - 0.01 Micron, Auto drain	P33FA14DSAN	20	(42)	17	(250)	229 (9.0)	73 (2.9)	73 (2.9)
3/4"	Poly bowl - 0.01 Micron, Manual drain	P33FA16DGMN	20	(42)	10	(150)	235 (9.3)	73 (2.9)	73 (2.9)
3/4"	Poly bowl - 0.01 Micron, Auto drain	P33FA16DGAN	20	(42)	10	(150)	229 (9.0)	73 (2.9)	73 (2.9)
3/4"	Metal bowl sight glass - 0.01 Micron, Manual drain	P33FA16DSMN	20	(42)	17	(250)	235 (9.3)	73 (2.9)	73 (2.9)
3/4"	Metal bowl sight glass - 0.01 Micron, Auto drain	P33FA16DSAN	20	(42)	17	(250)	229 (9.0)	73 (2.9)	73 (2.9)
1/2"	Poly bowl - Adsorber	P33FA14AGMN	44	(93)	10	(150)	253 (9.3)	73 (2.9)	73 (2.9)
1/2"	Metal bowl sight glass - Adsorber	P33FA14ASMN	44	(93)	17	(250)	253 (9.3)	73 (2.9)	73 (2.9)
3/4"	Poly bowl - Adsorber	P33FA16AGMN	44	(93)	10	(150)	253 (9.3)	73 (2.9)	73 (2.9)
3/4"	Metal bowl sight glass - Adsorber	P33FA16ASMN	44	(93)	17	(250)	253 (9.3)	73 (2.9)	73 (2.9)

* flow with 6.3 bar (91.3 psig) inlet pressure and 0.2 bar (3 psig) pressure drop.

Specifications

Flow Capacity		dm ³ /s	SCFM
1.0 Micron Coalescing	Energy Efficient Flow*	32	(68)
	Maximum Flow**	44	(93)
0.01 Micron Coalescing	Energy Efficient Flow*	20	(42)
	Maximum Flow**	34	(72)
Activated Carbon Adsorber	Rated Flow*	44	(93)
Operating Temperature	Plastic Bowl	-25°C (-13°F) to 52°C (125°F)	
	Metal Bowl	-25°C (-13°F) to 65.5°C (150°F)	
Max Supply Pressure**	Plastic Bowl	10 bar (150 psi)	
	Metal Bowl	17 bar (250 psi)	
Standard Filtration†		1.0 and 0.01 Micron ppm wt	
Adsorber	Max oil carryover (ppm w/w)	0.003 @ 21°C (70°F)	
Useful Retention†		85 cm ³ (2.8 US oz.)	
Port Size	BSPP / NPT	1/2, 3/4	
Weight		0.50 kg (1.10 lbs)	

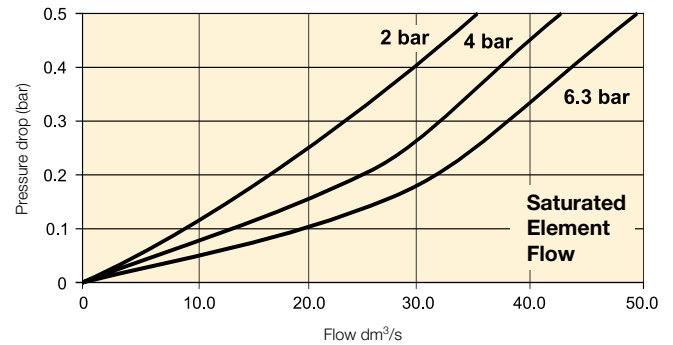
* Inlet pressure 6.3 bar (90 psi), Pressure drop 0.2 bar (3 psig), Saturated Element.

** Inlet pressure 6.3 bar (90 psi), Pressure drop 0.4 bar (6 psig), Saturated Element.

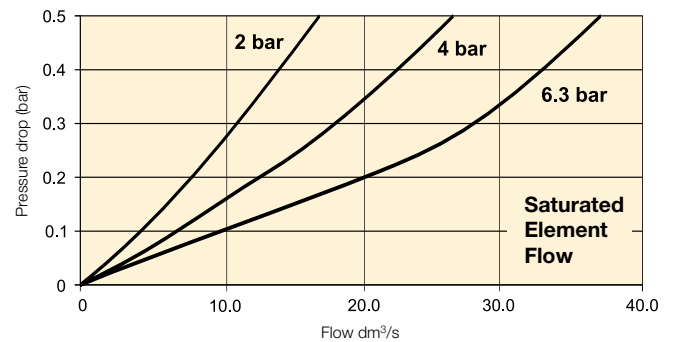
† Useful retention refers to volume below the quiet zone baffle.

Flow Charts

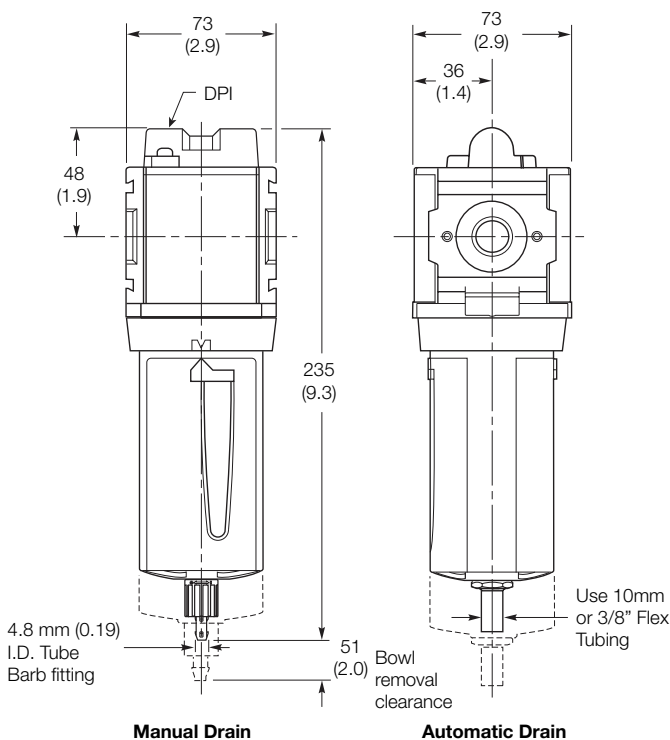
P33 - 1.0 micron flow



P33 - 0.01 micron flow



Dimensions



Materials of Construction

Body	Aluminium	
Body Cap	ABS	
Bowls	Plastic Bowl	Polycarbonate
	Metal Bowl	Zinc
Filter Element	1.0 and .01 Micron	Borosilicate Cloth
Adsorber	Activated Carbon	
Seals	Nitrile	
Sight Gauge	Metal Bowl	Polycarbonate

Repair and Service Kits

Plastic bowl / Bowl guard manual drain	P33KA00BGM
Metal bowl / Sight gauge manual drain	P33KA00BSM
Auto drain	P32KA00DA
1µ coalescing filter element	P33KA00ES9
0.01µ coalescing filter element	P33KA00ESC
Activated carbon adsorber filter element	P33KA00ESA
L-Bracket (fits to body)	P33KA00ML
T-Bracket (fits to body connector)	P32KA00MB
T-Bracket with body connector	P32KA00MT
Body connector	P32KA00CB
Differential pressure indicator (replacement)	P32KA00RQ