

Integrated signal lamp, continuous light, with integrated LED, green, 24 V AC/DC, Diameter 70 mm







| General technical data | |
|---|--------------------------|
| Product designation | Continuous light element |
| Consumed current maximum | 45 mA |
| Type of voltage | AC/DC |
| <ul style="list-style-type: none"> of the operating voltage | |
| Operating voltage | |
| <ul style="list-style-type: none"> 1 at DC rated value 1 at AC at 50 Hz rated value 1 at AC at 60 Hz rated value | 24 V 24 V 24 V |
| Relative positive tolerance of the operating voltage | 10 % |
| Relative negative tolerance of the operating voltage | -10 % |
| Reference code | P |
| <ul style="list-style-type: none"> acc. to DIN EN 81346-2 | |
| Mounting type | Bayonet / flush mounting |
| Material | PC; PC/ABS; PA |
| Color | green |
| Mechanical data | |
| Product component Light source | Yes |

| | |
|---|----------------------|
| Type of electrical connection | screw-type terminals |
| Outer diameter of the signal column element | 75 mm |

| Lamp | |
|------------------------------|-----------------|
| Design of the optical signal | continous light |
| Type of light source | LED |
| Light intensity | 2.52 cd |
| Light intensity | 1.24 ... 4.9 cd |
| Service life of LED | 100 000 h |

| Ambient conditions | |
|--------------------------------------|----------------|
| Ambient temperature during operation | -20 ... +50 °C |
| Protection class IP | IP65 |
| Depth | 31 mm |
| Height | 66 mm |
| Width | 75 mm |

Certificates/ approvals

| General Product Approval | EMC | Declaration of Conformity | other |
|---|---|--|---|
|  UL |  |  RCM |  EG-Konf. |
| | | | Miscellaneous Confirmation |

Further information

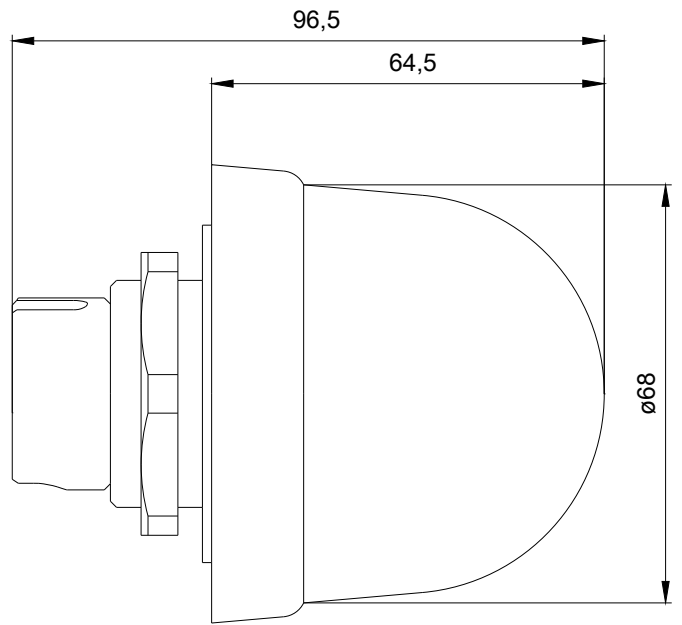
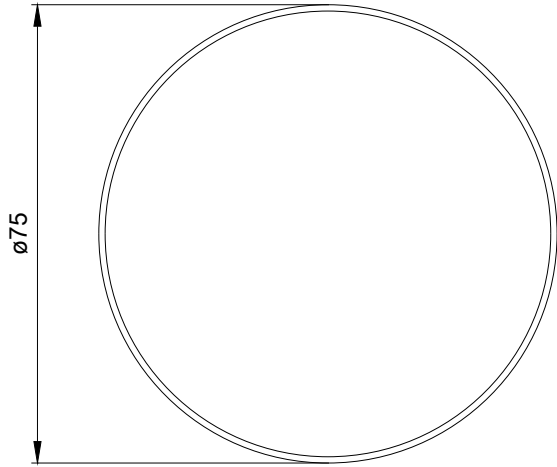
Information- and Downloadcenter (Catalogs, Brochures,...)
www.siemens.com/sirius/catalogs

Industry Mall (Online ordering system)
<https://mall.industry.siemens.com/mall/en/en/Catalog/product?mlfb=8WD5320-5AC>

Cax online generator
<http://support.automation.siemens.com/WW/CAXorder/default.aspx?lang=en&mlfb=8WD5320-5AC>

Service&Support (Manuals, Certificates, Characteristics, FAQs,...)
<https://support.industry.siemens.com/cs/ww/en/ps/8WD5320-5AC>

Image database (product images, 2D dimension drawings, 3D models, device circuit diagrams, EPLAN macros, ...)
http://www.automation.siemens.com/bilddb/cax_de.aspx?mlfb=8WD5320-5AC&lang=en



SIEMENS

last modified:

09/13/2019