

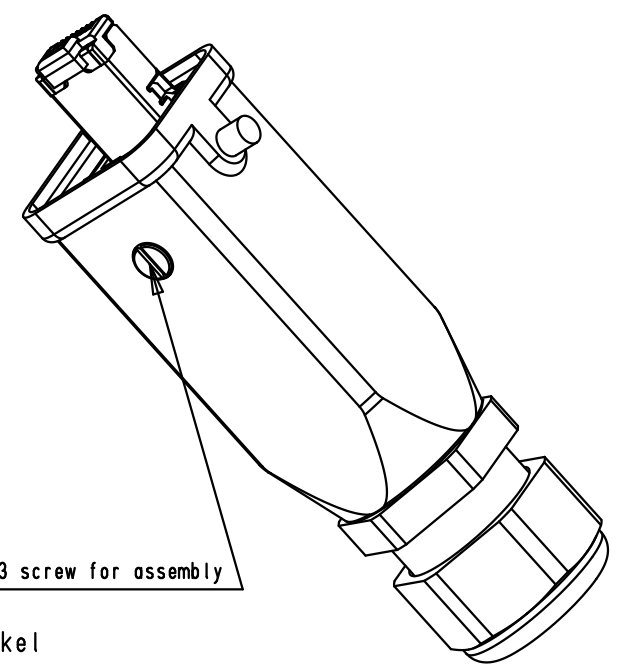
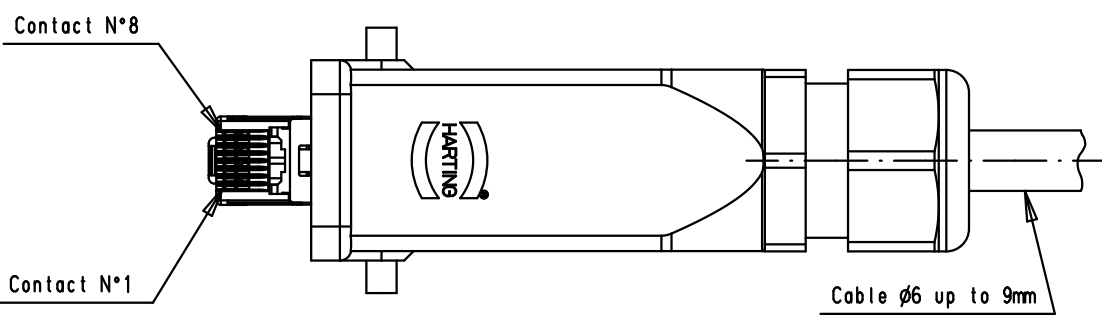
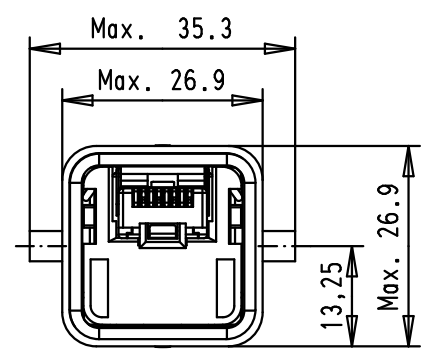
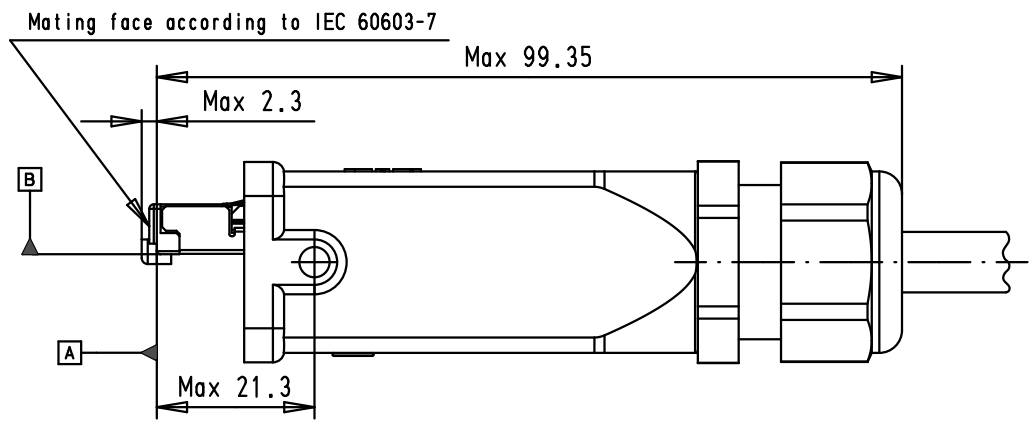
1 2 3 4 5 6

A

B



C

D



- For solid and stranded conductors AWG 27 up to AWG 22
- Max. wire diameter 1.5mm
- Cable diameter 6 - 9mm
- Degree of protection IP65/IP67
- Cat. 6 performance class EA suitable for 1/10 Gigabit Ethernet
- Temperature range -40°C up to +70°C
- 750 mating cycles

Data contact plating: Au 1.27µm (50µ") over nickel

				Dat.	Name	 All Dim. in mm Orig. Size DIN A 4	Han 3A RJ45 10G conector Plastic version	Maßstab/ Scale	
				Detail.	21/10/09			AB	1:1
				Insp.					
				Stand.					
36080	21/10/09	AB	HARTING EURL F-95972 Paris				TB 09 45 125 1560	Blatt/ Page	
Mod.	Dat.	Name					Sub.	1 / 1	