

SSP1A125M7T

solid state relay-panel mount-thermal pad-input 90-280VAC,output 24-300V AC,25 A



Main

| | |
|-------------------------------|--------------------------------------|
| Range of product | Zelio Relay |
| Product or component type | Solid state relay |
| Provided equipment | Thermal pad |
| Device short name | SSP1 |
| Mounting support | Panel |
| Network number of phases | 1 phase |
| Contacts type and composition | 1 NO |
| [In] rated current | 25 A |
| Solid state output type | Zero voltage switching SCR output |

Complementary

| | |
|--|---|
| Control circuit voltage | 90...280 V AC |
| Switching voltage | >= 90 V AC turn-on <= 10 V AC turn-off |
| Response time | 30 ms turn-off 25 ms turn-on |
| Input current limits | 5...10 mA |
| Output voltage | 24...300 V AC |
| Load current | 0.15...25 A |
| Absolute maximum voltage | 600 V |
| Surge current | <= 250 A for 16.6 ms |
| Maximum I ² t for fusing | 285 A ² .s for 10 ms at 50 Hz half cycle 259 A ² .s for 8.33 ms at 60 Hz half cycle |
| Protection device type | Type 1 - 25 A miniature circuit breaker (MCB) - curve B Type 2 - 20 A miniature circuit breaker (MCB) - curve B |
| Leakage current | <= 1 mA off-state |
| Voltage drop | 1.15 V on-state |
| DV/dt | 500 V/μs off-state at maximum voltage |
| Cos phi | 0.5 with maximum load |
| Motor power hp | 0.5 hp 120 V AC 1 hp 240 V AC |
| Insulation resistance | 1000 MOhm at 500 V DC |
| Capacitance unbalance | 8 pF for input/output |
| Dielectric strength | 4 kV AC for input/output 4 kV AC for input or output to case |
| [Uimp] rated impulse withstand voltage | 6 kV output to case 6 kV input to output |
| Tightening torque | 1.5...1.7 N.m for input 2...2.2 N.m for output |
| Connections - terminals | Forked type tag connectors : 9.2 x 4 mm for input Ring lugs : 9.2 x 4 mm for input Forked type tag connectors : 11.7 x 4.5 mm for output Ring lugs : 11.7 x 4.5 mm for output Screw terminals : 0.2...3.3 mm ² , (AWG 24...AWG 12) with cable end for input Screw terminals : 0.5...5.26 mm ² , (AWG 20...AWG 10) with cable end for output Screw terminals : 0.2...3.3 mm ² , (AWG 24...AWG 12) without cable end for input Screw terminals : 0.5...8.26 mm ² , (AWG 20...AWG 8) without cable end for output |
| Thermal resistance | 0.8 °C/W junction to case |
| Thermal impedance | 0.48 °C-in ² /W at 25 psi |

The information provided in this documentation contains general descriptions and/or technical characteristics of the performance of the products contained herein. This documentation is not intended as a substitute for and is not to be used for determining suitability or reliability of these products for specific user applications. It is the duty of any such user or integrator to perform the appropriate and complete risk analysis, evaluation and testing of the products with respect to the relevant specific application or use thereof. Neither Schneider Electric Industries SAS nor any of its affiliates or subsidiaries shall be responsible or liable for misuse of the information contained herein.

| | |
|-------------------------|--|
| Local signalling | LED, green for input |
| IP degree of protection | IP20 |
| Safety reliability data | MTTFd = 1875.9 years B10d = 1731395 |
| Product weight | 89.2 g |

Environment

| | |
|---------------------------------------|--|
| ambient air temperature for operation | -40...80 °C |
| ambient air temperature for storage | -40...125 °C |
| pollution degree | 2 |
| overvoltage category | III |
| product certifications | CE CSA RoHS UL REACH EAC |
| marking | CE CSA UL EAC |
| standards | EN/IEC 60950-1 UL 508 EN/IEC 62314 CSA C22.2 No 14-13 |

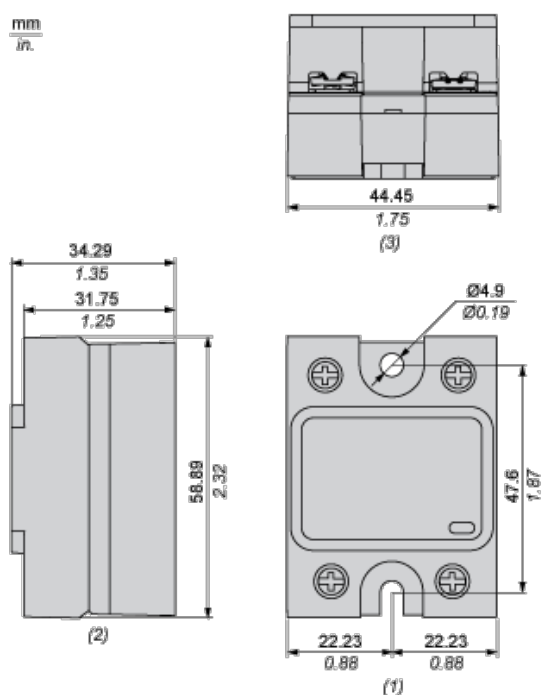
Offer Sustainability

| | |
|----------------------------------|---|
| Sustainable offer status | Green Premium product |
| RoHS (date code: YYWW) | Compliant - since 1522 - Schneider Electric declaration of conformity |
| REACH | Reference not containing SVHC above the threshold |
| Product environmental profile | Available |
| Product end of life instructions | Available |

Contractual warranty

| | |
|-----------------|-----------|
| Warranty period | 18 months |
|-----------------|-----------|

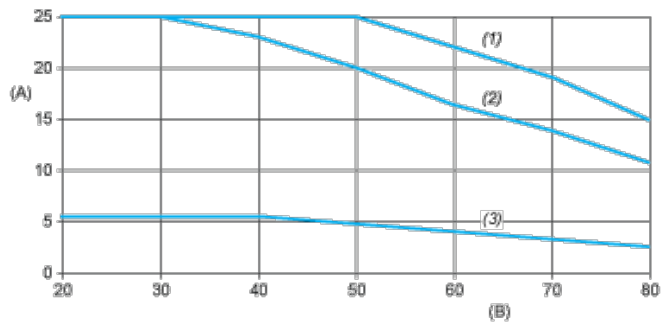
Dimensions



(1) Front view

- (2) Side view
- (3) Bottom view

Derating Curves



- A : Load Current (Arms)
- B : Ambient Temperature (°C)
- (1) For Heatsink SSRHP17
- (2) For Heatsink SSRHP25
- (3) No Heatsink