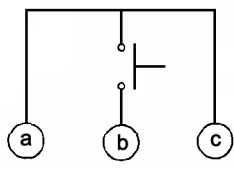
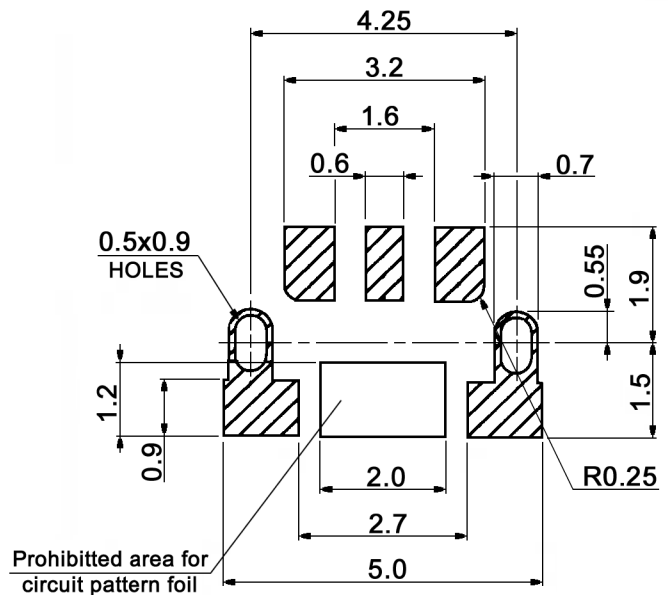


CIRCUIT DIAGRAM



P.C.B. LAND DIMENSIONS
(VIEWED FROM SWITCH MOUNTING FACE)



Compliance: RohS II (2011/65/EU)

Tolerances: up to 10: ±0.2mm above 10-50: ±0.3mm		Date	Name
		10/10	dr
Rename	08/15	dr	knitter-switch
Revised	11/14	dr	
Modifications	Date	Name	

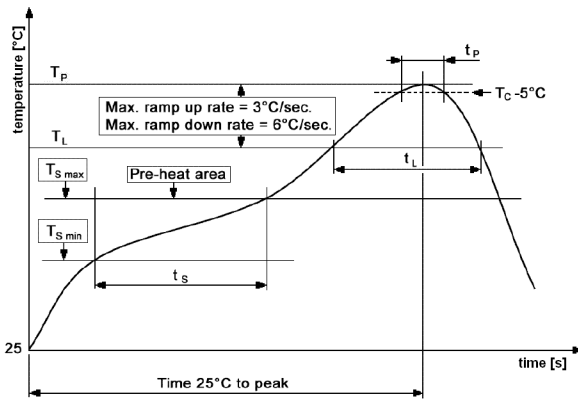
TSS 4520 x-RA

30 22 02

Specifications:

Contact rating: 0.05A max., 12V DC
 Contact resistance: 500mOhm max.
 Insulation resistance: 100MOhm min. at 100V DC for 1 minute
 Dielectric strength: 100V AC (50/60Hz, 2mA) for 1 minute
 Operating temperature: -20°C to +70°C
 Mechanical life: 100 000 cycles
 Material: Terminal: C5191, silver plated
 Dome: stainless steel, silver plated
 Insulation membrane: polyimide, yellow
 Case: PPA, black
 Stem: PA46, natural
 Frame: steel, silver plated

Soldering conditions:



$T_P = 260^\circ\text{C}$
 $t_P = 10\text{sec. max.}$

$T_L = 217^\circ\text{C}$
 $t_L = 90\text{sec. max.}$

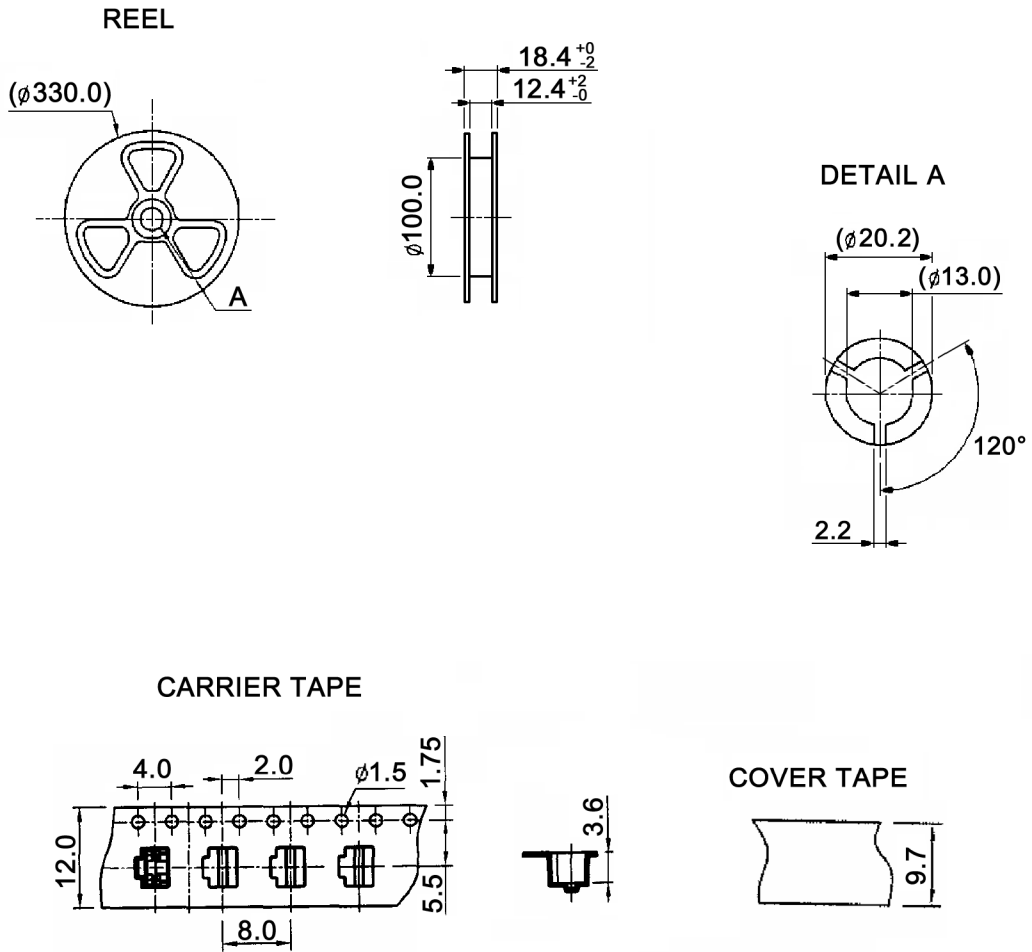
$T_{S\text{ max}} = 200^\circ\text{C}$
 $T_{S\text{ min}} = 150^\circ\text{C}$
 $t_S = 120\text{sec. max.}$

x	Operating force
N	160 +/-50gf
R	250 +/-70gf

Compliance: RohS II (2011/65/EU)

Tolerances: up to 10: ±0.2mm above 10-50: ±0.3mm		Date	Name	<h1>TSS 4520 x-RA</h1>
		10/10	dr	
		knitter-switch		<h2>30 22 02</h2>
Modifications	Date	Name		Page 2/3

Packaging:



Packaging unit: 2 000 pcs. / reel
 Compliance: RohS II (2011/65/EU)

Tolerances: up to 10: ±0.2mm above 10-50: ±0.3mm		Date	Name
		10/10	dr
Modifications	Date	Name	

TSS 4520 x-RA

knitter-switch

30 22 02

Page

3/3