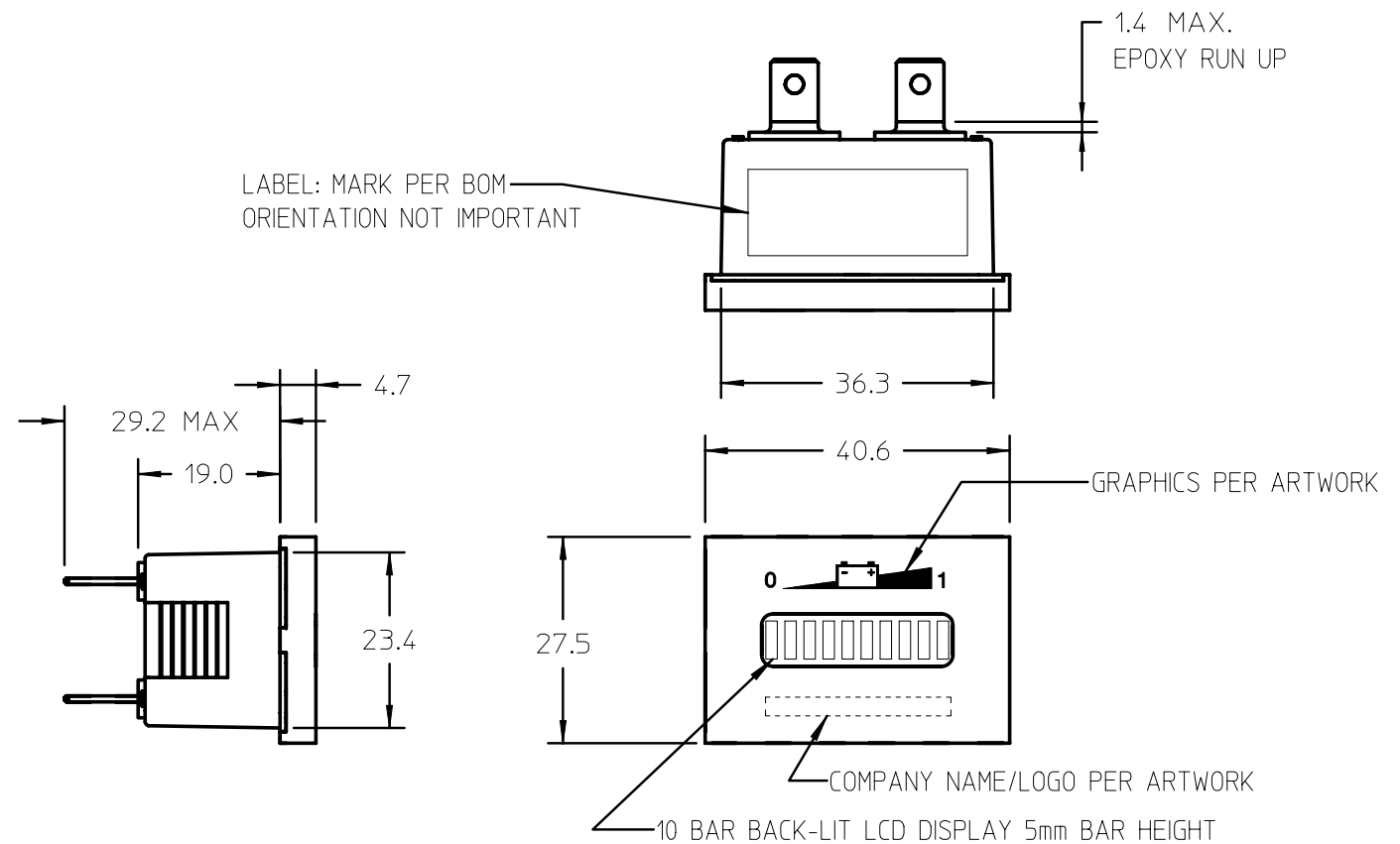
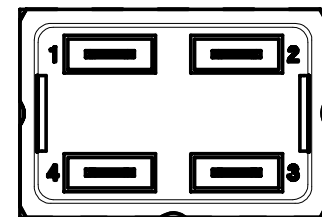


NOTES:

1. TERMINAL TYPE: FLAT QUICK CONNECT TAB ANSI/NEMA DC-2, 6.4mm X 0.8mm, WITH HOLE.
2. WEIGHT: 30 GRAMS MAX.
3. CASE MATERIAL: ABS BLACK
4. LENS MATERIAL: ACRYLIC CLEAR
5. UNIT DESIGNED FOR A MOUNTING PANEL THICKNESS OF .8 mm - 6.4 mm.
6. RECOMMENDED PANEL CUTOUT SIZE 36.8mm X 24.1mm +.3/-0mm
7. USE WITH MOUNTING BRACKET: CURTIS P/N 17607800 CONTAINS 100 BRACKETS.
8. ENVIRONMENTAL PROTECTION: FRONT IP-65, REAR IP-65

PIN #	Function
1	BATTERY+
2	BATTERY-
3	SIGNAL INPUT (0-5V)
4	NO CONNECTION



NOTICE
THE REVISION LEVEL OF
THIS DOCUMENT MUST
BE VERIFIED FOR LATEST
ISSUE BEFORE USE.

THIS DRAWING CONSTITUTES THE CONFIDENTIAL INFORMATION OF CURTIS INSTRUMENTS INC. AND ITS RECEIPT OR POSSESSION DOES NOT CONFER ANY RIGHT IN OR LICENSE TO USE IT OR THE INFORMATION DISCLOSED HERE IN NOR ANY RIGHT TO REPRODUCE THIS DRAWING OR ANY PART HEREOF WITHOUT THE WRITTEN CONSENT OF CURTIS INSTRUMENTS INC.	REVISIONS					FOR REFERENCE ONLY		UNLESS OTHERWISE SPECIFIED DIMENSIONS ARE IN MILLIMETERS	APPROVALS			DATE		
	SYM.	ECN	DESCRIPTION	DATE	APPR	RELATED DRAWINGS			TOLERANCES		MFG.			BR
	1	NONE	CREATED DRAWING	RJ	4/8/04	VAI				0 PLACE DEC	1 PLACE DEC			ENGR.
A	10908	RELEASED TO PRODUCTION	RJ	4/8/04	VAI			±	± 0.3	ENGR.	SL	2/26/04	B 17653001 A SIZE SHEET 1 OF 1 REV	
								2 PLACE DEC	3 PLACE DEC	ENGR.	VAI	3/8/04		
								±	±	CHECKED	FP	2/26/04		
								4 PLACE DEC		DRAWN	RJ	1/29/04		
								±	±	MKTG	JL	2/26/04		
										DO NOT SCALE : USE DIMENSIONS				
										SCALE 1:1				