

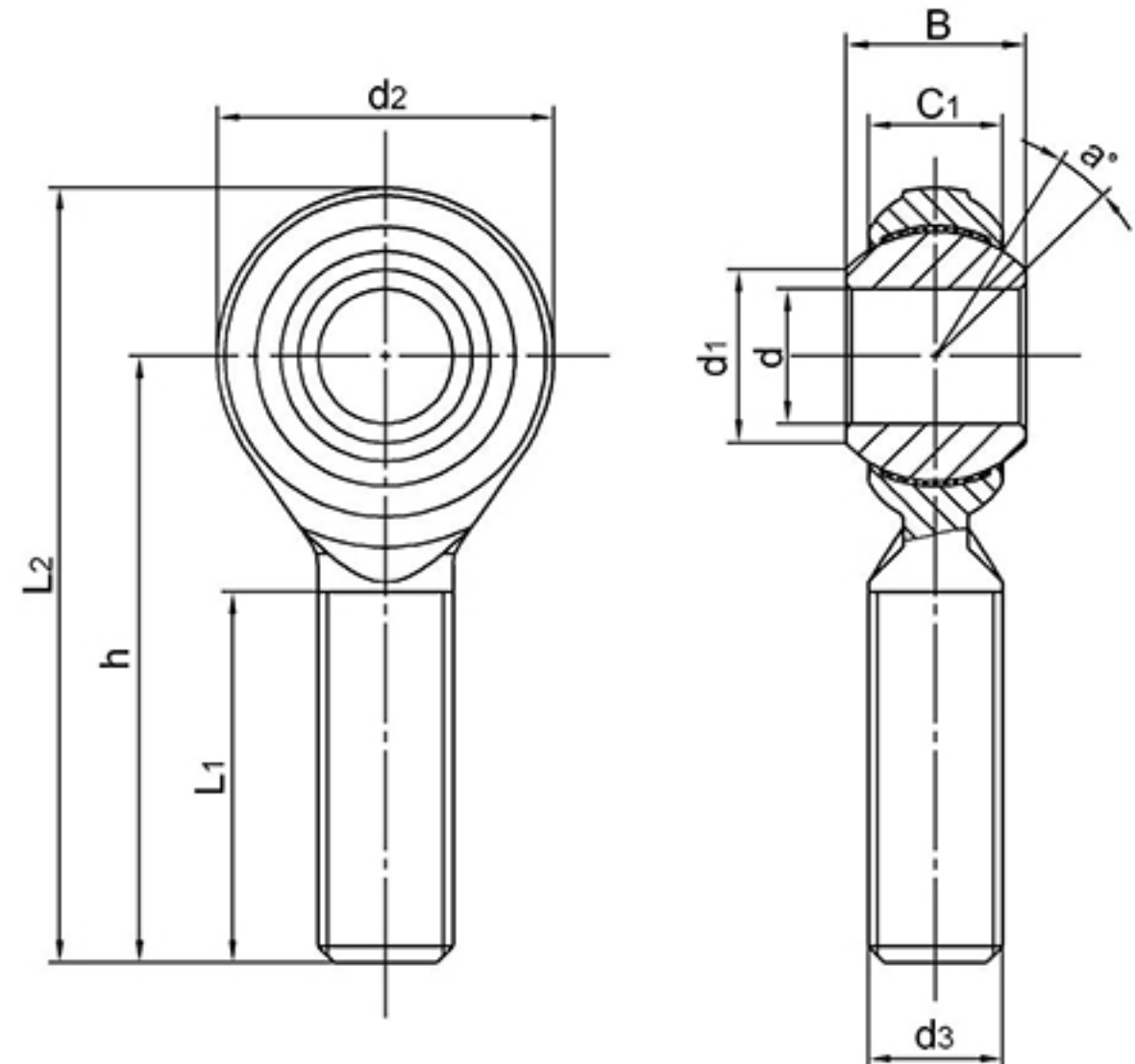
SPOS..EC

Ball: 440C Stainless steel, heat treated, HRC 56min
Precision ground polished

Body: 304 Stainless steel.

Race: PTFE composite

Sliding contact surfaces: Steel/PTFE composite.



Bearing No.	Dimensions(mm)									Ball dia	a° mis. angle	Load ratings (KN)		weight ≈ Kg
	d _{H7}	B	C _{1 max}	d ₁	d ₂	d _{3-6g}	h	L ₁	L ₂			Dynamic	Static	
SPOS5EC	5	8	6	7.7	16	M5	33	20	41	11.11	13	3.3	4.8	0.012
SPOS6EC	6	9	6.75	8.9	18	M6	36	22	45	12.7	13	4.7	6.8	0.019
SPOS8EC	8	12	9	10.3	22	M8	42	25	53	15.87	14	7.7	12.3	0.032
SPOS10EC	10	14	10.5	12.9	26	M10	48	29	61	19.05	13	10.4	17.3	0.054
SPOS12EC	12	16	12	15.4	30	M12	54	33	69	22.22	13	13.5	22.7	0.085
SPOS14EC	14	19	13.5	16.8	34	M14	60	36	77	25.4	16	17.2	28.2	0.126
SPOS16EC	16	21	15	19.3	38	M16	66	40	85	28.58	15	21	35.1	0.185
SPOS18EC	18	23	16.5	21.8	42	M18x1.5	72	44	93	31.75	15	25	43.2	0.260
SPOS20EC	20	25	18	24.3	46	M20x1.5	78	47	101	34.92	14	29.8	50.3	0.340

Can supply rod ends with different pitch or accuracy of thread.

For left-hand thread, suffix "L" is added to bearing numbers. eg.: SPOS20ECL M20 x 1.5L-6g: