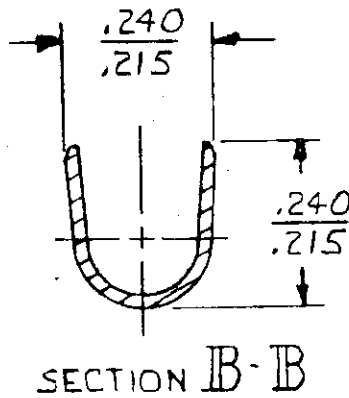
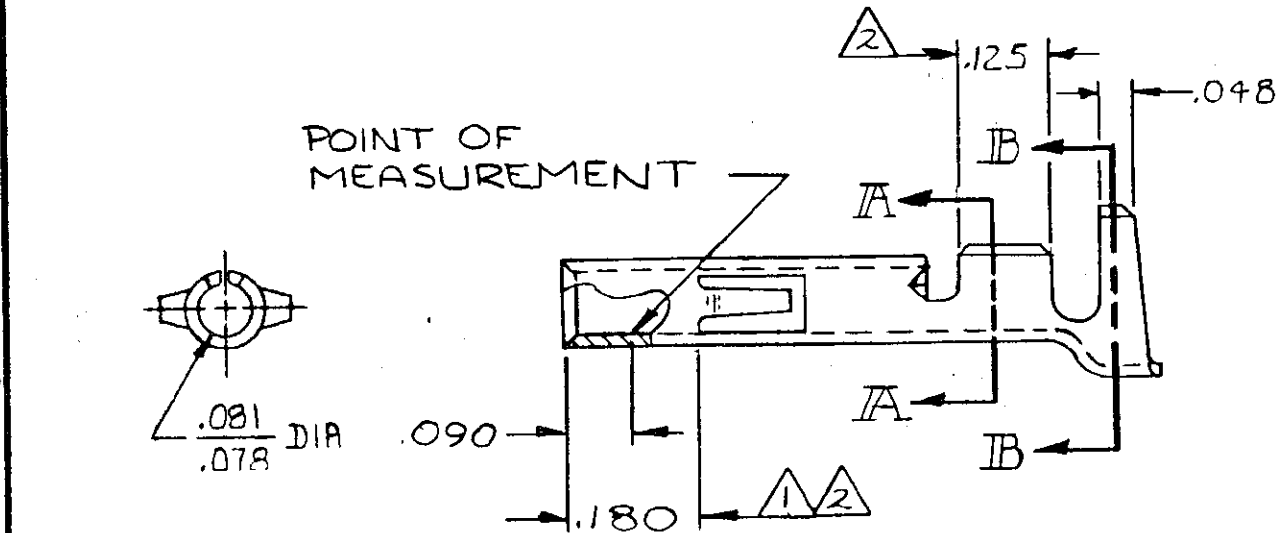
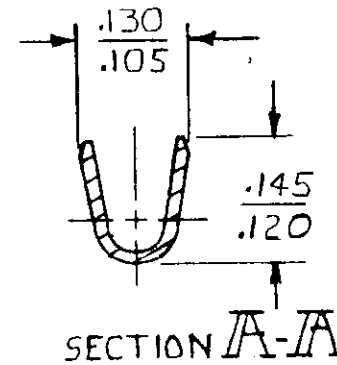
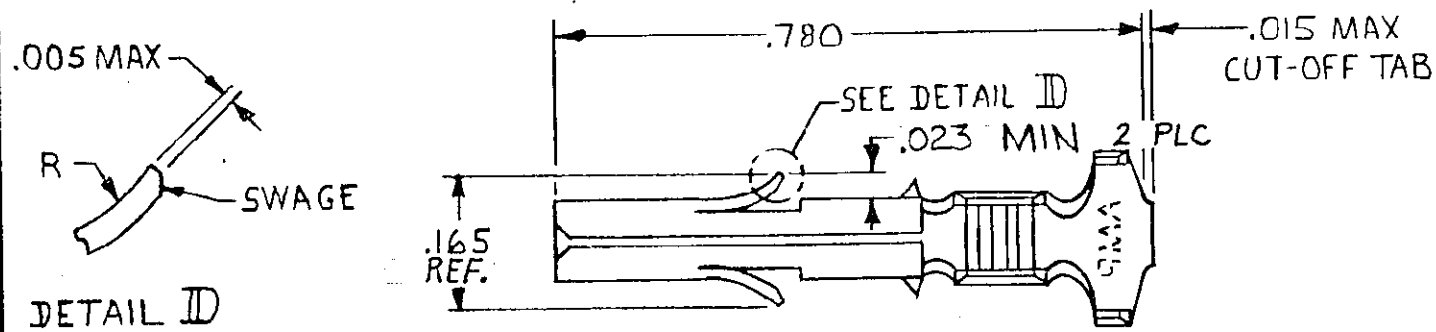


© COPYRIGHT 1973 BY AMP INCORPORATED, HARRISBURG, PA.
 ALL INTERNATIONAL RIGHTS RESERVED. AMP INCORPORATED PRODUCTS
 COVERED BY U. S. AND FOREIGN PATENTS AND/OR PATENTS PENDING.



| REVISIONS | | | | | | |
|-----------|---|------|----------------|--|----------|----------|
| P | F | ZONE | LTR | DESCRIPTION | DATE | APPROVED |
| ✓ | ✓ | | L | REDRAWN & UPDATED M-6457 | 6-5-81 | MSF/DH |
| ✓ | ✓ | | M | ADDED .090, .180 DIMS, POINT OF MEAS, M-7351 | 5/12/83 | TW/DH |
| ✓ | | | N | REVISED AG 57 | 10/24/83 | S. JAMES |
| ✓ | | | N ₁ | RESTORED | 4/3/85 | BKD/RS |
| | | | P | REV PER EC 0730-3607-91 | 1-6-94 | RV/RS |

- ① .000030 THICK GOLD OVER NICKEL ON INSIDE OF RECEPTACLE; REMAINDER OF CONTACT IS NICKEL PLATED.
- ② .000030 THICK GOLD OVER NICKEL ON INSIDE OF RECEPTACLE AND WIRE BARREL; REMAINDER OF CONTACT IS NICKEL PLATED.

| FINISH | MATERIAL | PART NO |
|---------|--------------|----------|
| GOLD ① | .012 BRASS | 350551-7 |
| | .012 PH. BRZ | 350551-6 |
| PRE-TIN | .012 PH. BRZ | 350551-3 |
| GOLD ② | .012 BRASS | 350551-2 |
| PRE-TIN | .012 BRASS | 350551-1 |

| | | | | |
|--|------------------------------------|--|---------------|---------------|
| UNLESS OTHERWISE SPECIFIED DIMENSIONS ARE IN INCHES. TOLERANCES ON: DECIMALS ± .015 ANGLES ± | CONTRACT NO | AMP AMP INCORPORATED Harrisburg, Pa. | | |
| | DR <i>m. Feher 4-29-81</i> | | | |
| | CHK <i>D.S. Weide 6/9/81</i> | NAME | | |
| | APPD <i>D. P. Schubert 6-10-81</i> | SOCKET, (LOOSE PIECE) UNIVERSAL MATE-N-LOK | | |
| WIRE RANGE 20-14 AWG | DSGN APPD | SIZE | CODE IDENT NO | DRAWING NO |
| INSULATION RANGE .200 DIA MAX | OTHER APPD | B | 00779 | 350551 |
| | | SCALE 4-1 | SHEET | |